

Kubota

U.S.A. : **KUBOTA TRACTOR CORPORATION**
3401 Del Amo Blvd., Torrance, CA 90503, U.S.A.
Telephone : (310)370-3370

Western Division : 1175 S. Guild Av., Lodi, CA 95240
Telephone : (209)334-9910

Central Division : 14855 FAA Blvd., Fort Worth, TX 76155
Telephone : (817)571-0900

Northern Division : 6300 at One Kubota Way, Groveport, OH 43125
Telephone : (614)835-1100

Southeast Division : 1025 Northbrook Parkway, Suwanee, GA 30024
Telephone : (770)995-8855

Canada : **KUBOTA CANADA LTD.**
5900 14th Avenue, Markham, Ontario, L3S 4K4, Canada
Telephone : (905)294-7477

France : **KUBOTA EUROPE S.A.S**
19-25, Rue Jules Verceyruisse, Z.I. BP88, 95101 Argenteuil Cedex, France
Telephone : (33)1-3426-3434

Italy : **KUBOTA EUROPE S.A.S Italy Branch**
Via Grandi, 29 20068 Peschiera Borrome (MI) Italy
Telephone : (39)02-51650377

Germany : **KUBOTA BAUMASCHINEN GmbH**
Steinhauser str. 100, 66482 Zweibrücken Rheinlandpfalz Germany
Telephone : (49)6332-4870100

U.K. : **KUBOTA (U.K.) LTD.**
Dormer Road, Thame, Oxfordshire, OX9 3UN, U.K.
Telephone : (44)1844-214500

Australia : **KUBOTA TRACTOR AUSTRALIA PTY LTD.**
25-29 Permas Way, Truganina, VIC 3029, Australia
Telephone : (61)-3-9394-4400

Malaysia : **SIME KUBOTA SDN. BHD.**
No.3 Jalan Sepadu 25/123 Taman Perindustrian Axis,
Seksyen 25, 40400 Shah Alam, Selangor Darul Ehsan Malaysia
Telephone : (60)3-736-1388

Philippines : **KUBOTA PHILIPPINES, INC.**
232 Quirino Highway, Baesa, Quezon City 1106, Philippines
Telephone : (63)2-422-3500

Taiwan : **SHIN TAIWAN AGRICULTURAL MACHINERY CO., LTD.**
16, Fengping 2nd Rd, Taliiao Shiang Kaohsiung 83107, Taiwan R.O.C.
Telephone : (886)7-702-2333

Thailand : **SIAM KUBOTA CORPORATION CO., LTD.**
101/19-24 Moo 20, Navanakorn Industrial Estate, Tambon Khlongnueng, Amphur Khlongnuang
Pathumthani 12120, THAILAND
Telephone : (66)2-909-0300

Japan : **KUBOTA Corporation**
Farm & Industrial Machinery International Operations Headquarters
2-47, Shikitsuhigashi 1-chome, Naniwa-ku, Osaka, Japan 556-8601

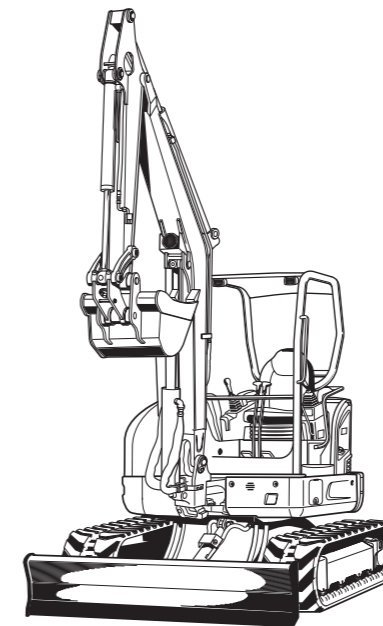
English (U.S.A.)
Code No. RC488-8121-1

K
X
0
3
3
4

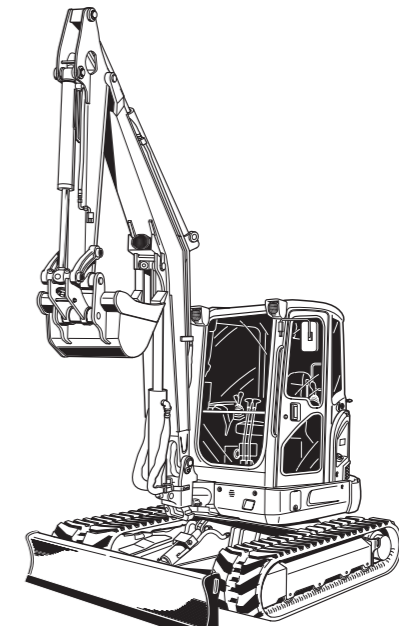
OPERATOR'S MANUAL

KUBOTA EXCAVATOR

MODEL **KX033-4**



1BAAACGAP0010



1BAAACGAP0020

READ AND SAVE THIS MANUAL

Kubota

LIST OF ABBREVIATION

Abbreviations	Description
API	American Petroleum Institute
ASTM	American Society for Testing and Materials, USA
CECE	Committee for European Construction Equipment
DIN	Deutsches Institut für Normung, GERMANY (German Institute for Standardization)
EN	European Standard
OSHA	Occupational Safety and Health Administration
FRONT	"Front" means the direction towards the boom and dozer
Hi	High speed
ISO	International Organization for Standardization
JIS	Japanese Industrial Standard
L	Volume (Liter)
L/min	Liter per minute
Lo	Low speed
MIL	Military Standards
OPG (Top Guard Level I)	Operator Protective Guards of Top Guard Level I
rpm	Revolutions Per Minute
ROPS	Roll-Over Protective Structures
SAE	Society of Automotive Engineers, USA
TPSS	Two Pattern Selection System
AI	Auto Idle

California Proposition 65

WARNING









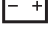






















Engine exhaust, some of its constituents, certain vehicle components and fluids, contain or emit chemicals known to the State of California to cause cancer and birth defects or other reproductive harm.

IMPORTANT

The engine in this machine is not equipped by the manufacturer with a standard spark arrester.
It is a violation of California Public Resource Code Section 4442 to use or operate this engine on or near any forest-covered, brush-covered land, or grass-covered land unless the exhaust system is equipped with a working spark arrester meeting state laws. Other states or federal areas may have similar laws.

GENERAL SYMBOLS

The instruments and operation elements have been marked with a series of symbols in order to simplify the operation of excavator. These symbols are listed below with the respective descriptions.

- | | | | |
|-------------------------------------------------------------------------------------|------------------------------------------------|-----------------------------------------------------------------------------------|--------------------------------------|
|  | Safety alert Symbol |  | Boom swing (left) |
|  | Warning lamp "Fuel level too low" |  | Boom swing (Right) |
|  | System lamp |  | Dozer raise |
|  | Warning lamp "Engine Oil pressure" |  | Dozer lower |
|  | Warning lamp "Battery charge" |  | Operation direction of control lever |
|  | Indicator lamp "Glow" |  | Operation direction of control lever |
|  | Working light switch |  | Read operator's manual |
|  | Horn |  | Engine stop control lamp |
|  | Wiper/Washer switch | | |
|  | Diesel | | |
|  | Hydraulic fluid | | |
|  | Gear oil | | |
|  | Grease | | |
|  | Fast | | |
|  | Slow | | |
|  | Excavator - Overhead movement toward the front | | |
|  | Excavator - Overhead movement toward the rear | | |
|  | Boom up | | |
|  | Boom down | | |
|  | Arm up | | |
|  | Arm crowd | | |
|  | Bucket crowd | | |
|  | Bucket dump | | |

FOREWORD

You are now the proud owner of a KUBOTA Excavator. This excavator is a product of KUBOTA quality engineering and manufacturing. It is made of fine materials and under a rigid quality control system. It will give you long, satisfactory service. To obtain the best use of your excavator, please read this manual carefully. It will help you become familiar with the operation of the excavator and contains many helpful hints about excavator maintenance. It is KUBOTA's policy to utilize as quickly as possible every advance in our research. The immediate use of new techniques in the manufacture of products may cause some small parts of this manual to be outdated. KUBOTA distributors and dealers will have the most up-to-date information. Please do not hesitate to consult with them.



SAFETY FIRST

This symbol, the industry's "Safety Alert Symbol", is used throughout this manual and on labels on the machine itself to warn of the possibility of personal injury. Read these instructions carefully. It is essential that you read the instructions and safety regulations before you attempt to assemble or use this unit.



DANGER : Indicates an imminently hazardous situation which, if not avoided, will result in death or serious injury.



WARNING : Indicates a potentially hazardous situation which, if not avoided, could result in death or serious injury.



CAUTION : Indicates a potentially hazardous situation which, if not avoided, could result in minor or moderate injury.

IMPORTANT : Indicates that equipment or property damage could result if instructions are not followed.

NOTE : Gives helpful information.

CONTENTS

▲ SAFE OPERATION	▲ -1
DEALER SERVICE.....	1
TECHNICAL DATA.....	3
DESCRIPTION OF MACHINE PARTS.....	4
INSTRUMENT PANEL AND CONTROL ELEMENTS.....	5
CHECKS BEFORE START	7
DAILY CHECKS.....	7
CHECKING THE DEVICES	7
Starter Switch	7
Display Selector Switch	8
LCD for Normal Operation	8
Warning Lamp	11
LCD for Warning.....	11
Setting the Clock.....	13
Reordering the year/month/day and Changing the AM/PM System to the 24-hour One	14
Log Record	15
Periodic Check.....	16
If All the Check Points are not Displayed at a Glance on a Single Screen.....	16
When the Check-up is Completed	18
Horn Switch	18
Light Switch	18
AUX Port Enable Switch	18
Auto Idle Control Switch	19
Throttle Potentiometer	19
Travel Speed Switch.....	19
CAB TYPE MACHINES	20
Wiper/Washer Switch	20
Interior Lamp.....	20
Opening/Closing of CAB Door.....	21
Opening/Closing of Front CAB Window.....	21
Opening/Closing of Side CAB Window.....	21
Emergency Hammer.....	21
AIR CONDITIONER	22
Air Flow.....	22
Air Control Vent	22
Control Panel.....	23
Operation.....	23
HANDLING THE SAFETY DEVICES.....	23
Pilot Control Lock Lever.....	23
OPERATION OF THE ENGINE.....	24
STARTING THE ENGINE	24
STARTING THE ENGINE UNDER COLD CONDITIONS.....	25
STARTING WITH AN AUXILIARY BATTERY	26
Observe Following Guidelines when Starting with an Auxiliary Battery.....	26

CHECK POINTS AFTER STARTING THE ENGINE	26
STOPPING THE ENGINE.....	27
Engine Stop Button.....	27
Precautions in case of Overheat.....	27
EXCAVATOR OPERATION	28
RUNNING-IN OF THE NEW EXCAVATOR.....	28
Do not Work with Full Engine Rpm's or Full Loads during the First 50 Working Hours..	28
Oil Change in the Run-in Stage.....	28
Adjusting the Operator's Seat.....	28
Seat Belt.....	29
STARTING.....	29
Pilot Control Lock Lever.....	29
DRIVING	30
Drive Levers (Right,Left).....	31
TURNS.....	31
Pivot Turn	31
Spin Turn	32
UP AND DOWNHILL DRIVING.....	33
PARKING ON A SLOPE	33
OPERATION OF THE DOZER	33
TWO PATTERN SELECTION SYSTEM (TPSS).....	34
Pattern Change.....	34
OPERATION OF THE BOOM.....	35
OPERATION OF THE ARM.....	35
OPERATION OF THE BUCKET	36
UNIT SWING AND BOOM SWING OPERATION.....	36
Unit Swing Operation.....	36
Boom Swing Operation.....	36
AUXILIARY PORT OPERATION	37
Selecting the Action Modes	37
AUX Port Handling Procedure.....	38
Setting the Maximum Flow Volume	40
HOW TO RELEASE PRESSURE TRAPPED IN THE HYDRAULIC SYSTEM.....	45
ANGLE BLADE OPERATION.....	46
1-way or 2-way CIRCUIT SELECTION VALVE OPERATION	47
AUTO IDLE (AI) OPERATION	47
IMPORTANT INFORMATION ON EXCAVATOR OPERATION	48
TRANSPORTING THE EXCAVATOR ON A VEHICLE.....	49
LIFTING OF THE EXCAVATOR.....	51
MAINTENANCE.....	53
MAINTENANCE INTERVALS	53
OPENING AND CLOSING OF COVERS.....	56
Opening/Closing of the Engine Hood	56
Opening/Closing of the Side Cover	56
Where to store the Tool	57
Cup Holder.....	57
Where to store the Grease Gun.....	57
Where to keep Operator's Manual.....	57

DAILY CHECKS.....	58
Checking Coolant Level.....	58
Checking Fuel Level.....	58
Checking Engine Oil Level.....	59
Checking Hydraulic Oil Level.....	59
Checking V-belt.....	60
Checking Radiator and Oil Cooler.....	60
Checking Washer Liquid.....	61
Checking and Cleaning Engine and Electrical Wiring.....	61
Washing Whole Machine.....	61
Greasing Front Attachments (without Bucket Pin and Boom Swing Fulcrum).....	61
Greasing Bucket Pin.....	62
Greasing Boom Swing Fulcrum.....	62
REGULAR CHECKS AND MAINTENANCE WORK.....	63
EVERY 50 SERVICE HOURS.....	63
Draining the Water from the Fuel Tank.....	63
Draining Water Separator.....	63
Checking Battery Condition.....	64
Greasing Swing Bearing Teeth.....	65
EVERY 200 SERVICE HOURS.....	66
Adjusting V-belt Tension.....	66
Checking Radiator Hoses and Clamps.....	67
Grease Swing Ball Bearing.....	67
Inspection and Cleaning Air Filter Element.....	67
Air Filter Maintenance.....	68
Checking Fuel Line and Intake Air Line.....	68
AIR CONDITIONER.....	69
Cleaning Air Filter.....	69
Checking Air-Conditioner Condenser.....	69
EVERY 500 SERVICE HOURS.....	70
Changing Engine Oil (Change the engine oil every 500 hours, or every 1 year in the case that service hour is less than 500 hours).....	70
Replacing Engine Oil Filter Cartridge (Replace the engine oil filter cartridge every 500 hours,or every 1 year in the case that service hour is less than 500 hours).....	71
Drive unit Oil Change(First Oil Change of the 50 hours).....	71
Replacing Fuel Filter Cartridge.....	72
Replacing Hydraulic Return Filter Element (First replacement after 250 service hours).....	72
Replacing Breather Filter.....	72
Replacing Fan Belt.....	72
EVERY 1000 SERVICE HOURS.....	73
Replacing the Hydraulic Pilot Filter Element.....	73
Hydraulic Oil Change (Including Replacing of the Suction Filter in the Hydraulic Tank).....	73
Hydraulic Oil Check with Hydraulic Hammers.....	74
EVERY 1000 SERVICE HOURS OR ONCE A YEAR.....	75
Replacing Air Filter Element.....	75
EVERY 1500 SERVICE HOURS.....	75
Checking Fuel Injection Nozzle (Injection Pressure).....	75
EVERY 2000 SERVICE HOURS.....	75
Changing Front Idler and Track Roller Oil.....	75
Checking the Alternator and Starter Motor.....	75
EVERY 3000 SERVICE HOURS.....	75

Checking Injection Pump.....	75
ANNUAL SERVICING.....	75
Electrical Wiring and Fuses.....	75
Checking the Electrical Circuit.....	75
Checking Air-Conditioner Pipes and Hoses.....	75
BIENNIAL SERVICING.....	75
Replacing Air-Conditioner Pipes and Hoses.....	75
Replacement of Radiator Hoses and Hose Clamps.....	76
Changing Radiator Coolant.....	76
Replacing Fuel Hoses and Hose Clamps.....	77
Replacing Intake Air line.....	77
SERVICING AS REQUIRED.....	77
Checking Amount of Refrigerant (gas).....	77
OTHER ADJUSTMENTS AND REPLACEMENTS.....	79
PURGING OF THE FUEL SYSTEM.....	79
ADJUSTMENT OF TRACKS.....	79
Special Information when Using Rubber Tracks.....	80
CHANGING THE BUCKET.....	81
FUSES.....	81
Replacing Fuses.....	81
Fuse Capacities and Circuits.....	82
Auxiliary Electric.....	83
Slow Blow Fuse.....	83
TROUBLESHOOTING.....	84
OPERATION UNDER COLD WEATHER CONDITIONS.....	86
PREPARATION FOR OPERATION IN COLD WEATHER.....	86
PROCEDURE AFTER COMPLETING WORK.....	86
LONG STORAGE.....	87
RECOMMENDED OILS.....	89
BIODIESEL FUEL (BDF).....	91
APPENDICES.....	93
MAIN DIMENSIONS.....	93
LIFTING CAPACITY.....	94
LIST OF SCREENS.....	97
LIST OF NORMAL SCREENS.....	97
NAVIGATION LIST OF SCREENS.....	98



SAFE OPERATION

Careful operation is your best insurance against an accident.

Read and understand this manual carefully, before operating the excavator.

Every user, however experienced, should carefully read and understand this manual and those of the attachments and accessories before operating the excavator. The owner is obliged to inform all operators of these instructions in detail.

Keep this manual in the storage location. (See "Where to keep Operator's Manual" in "MAINTENANCE" section.)

1. BEFORE OPERATION

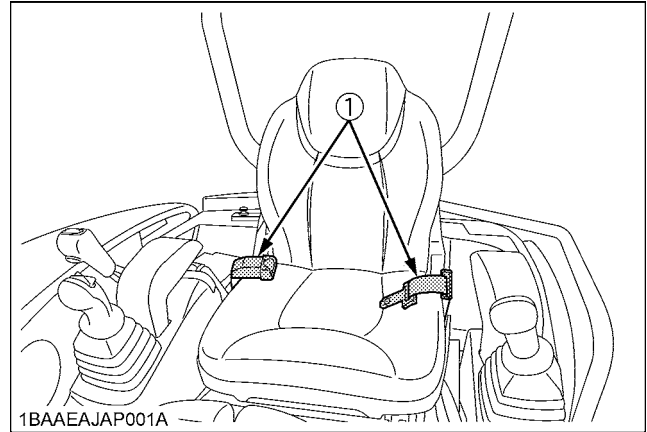
1. Know your equipment and its limitations. Read and understand this entire manual before attempting to start and operate the excavator.
2. Pay special attention to and obey the danger, warning and caution labels on the machine.
3. For your safety, a ROPS/OPG (Top Guard Level I) with a seat belt is installed by KUBOTA.
 - ROPS: Roll-Over Protective Structure
 - OPG (Top Guard Level I): Operator Protective Guards of Top Guard Level I

OPG (Top Guard Level I) in accordance with ISO10262 is equivalent in definition to FOPS (Falling Object Protective Structure).

Always use the seat belt when the machine is equipped with a ROPS/OPG (Top Guard Level I) as this combination will reduce the risk of serious injury or death, should the excavator be upset or falling objects occur.

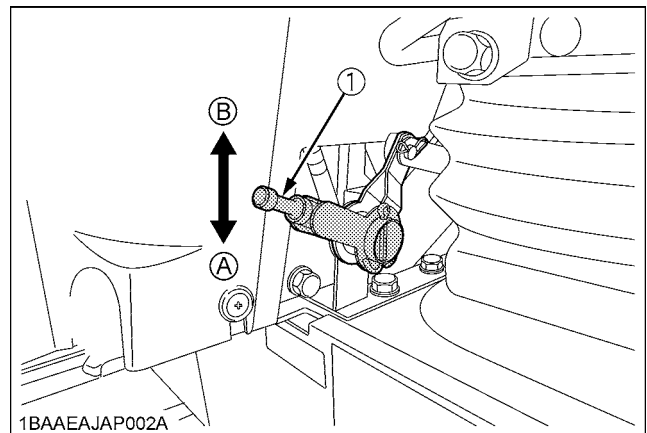
Do not modify any structural members of the ROPS/OPG (Top Guard Level I) by welding, drilling, bending, grinding or cutting, as this may weaken the structure. If any component is damaged, replace it. Do not attempt repairs. If the ROPS/OPG (Top Guard Level I) is loosened or removed for any reason, make sure all parts are reinstalled correctly. Tighten mounting bolts to proper torque.
4. ROPS meets requirements of ISO 3471.
OPG (Top Guard Level I) meets requirements of OSHA 1926-1003/ISO 10262.

5. The seat belt must be inspected regularly and replaced if frayed or damaged.



(1) Seat belt

6. Always sit in the operator's seat when starting engine or operating levers or controls.
7. Study control lever pattern A and pattern B. Then choose the one which is most familiar. Familiarize yourself with the pattern selected by operating the unit slowly and at low engine speed.

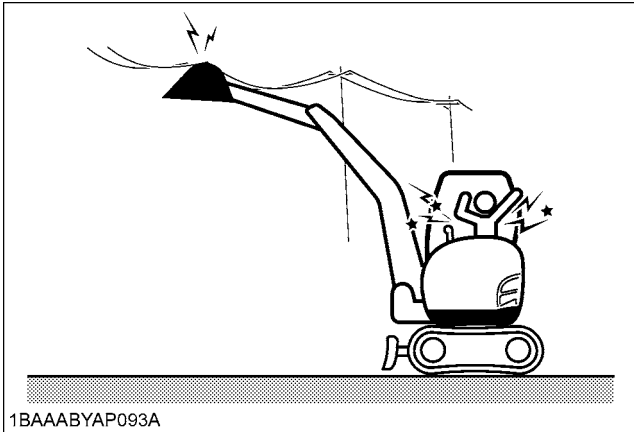


(1) Pattern selector lever
(A) "Pattern A"
(Two Pattern Selection System:TPSS) (B) "Pattern B"

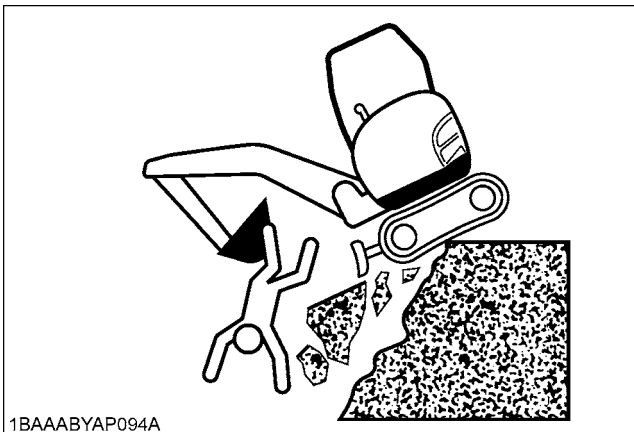
8. Do not operate the excavator while under the influence of alcohol, medication, controlled substances or while fatigued.

▲-2 SAFE OPERATION

9. Check the surroundings carefully before using the excavator or when attachments are being attached.
- Pay attention to the overhead clearance with electric wires.

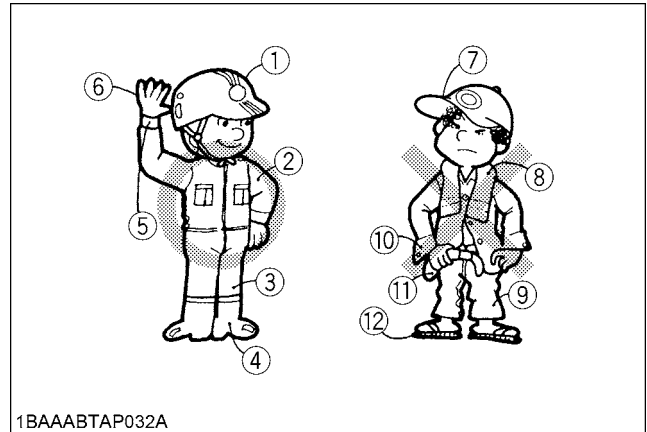


- Check for pipes and buried cables before digging. Use your local utility service to check for such items (if available).
- Check for hidden holes, obstacles, soft underground, and overhangs.



- Do not allow any persons within the working range of the excavator during operation.
10. Do not allow anyone to use the excavator until they have been advised of the work to be performed and they have indicated that they have read and understood the operator's manual.

11. Do not wear baggy, torn or oversized clothing when working with the excavator as such clothing can get caught in rotating parts or control elements which can cause accidents or injuries. Wear adequate safety clothing, e.g. safety helmet, safety shoes, eye protection, ear protection, working gloves, etc., as necessary and as prescribed by law or statutes.



- | | |
|---------------------------|---------------------------------|
| (1) Helmet | (7) Soft hat |
| (2) Clothing fit for work | (8) Towel |
| (3) Tight seams | (9) Baggy trousers |
| (4) Good grip footwear | (10) Loose cuffs of the shirt |
| (5) Well fitting cuffs | (11) Baggy shirt |
| (6) Working gloves | (12) Sandals or open-toed shoes |

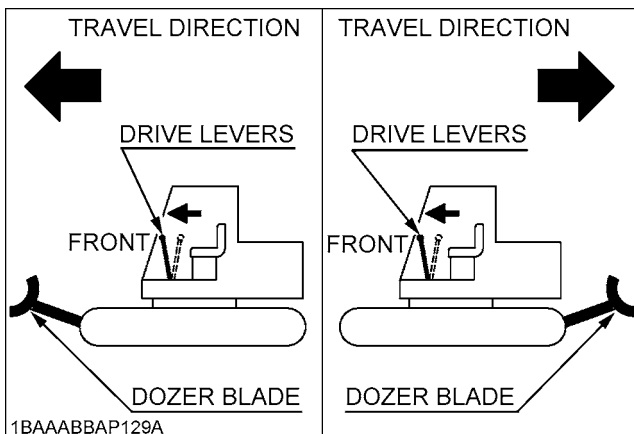
12. Do not allow passengers to ride on any part of the excavator at any time. The operator must remain in the excavator seat during operation.
13. Check levers, pedals and all mechanical parts for correct adjustment and wear. Replace worn or damaged parts immediately. Check nuts and bolts regularly for correct torque.
14. Keep your excavator clean. Heavy soiling, grease, dust and grass can cause fires, accidents or injuries.
15. Use only KUBOTA authorized attachments.
16. Before starting the excavator, be absolutely sure that the excavator has been filled with fuel, lubricated, greased and undergone all necessary maintenance.
17. Do not modify the excavator, as such could lead to unforeseen safety problems.
18. Do not operate a hydraulic hammer on anything that is above the operator's seat level as objects may fall into the operator station.
19. Make sure attachments, particularly those utilizing quick attach systems, are securely mounted.
20. Install protective guards on the excavator when working in areas where objects may fall or be thrown. The top guard and front guard are available for this machine. Consult your KUBOTA dealer for details.

2. OPERATING THE EXCAVATOR

Operator safety is a priority. Safe operation, specifically with respect to overturning hazards, entails understanding the equipment and environmental conditions at the time of use. Some prohibited uses which can affect overturning hazards include traveling and turning with implements and loads carried too high etc. This manual sets forth some of the obvious risks, but the list is not, and cannot be, exhaustive. It is the operator's responsibility to be alert for any equipment or environmental condition that could compromise safe operation.

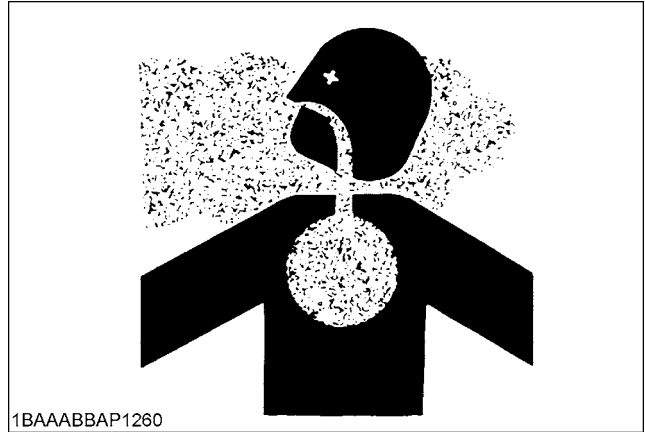
◆ Starting

1. Mount and dismount the machine safely. Always face the machine. Always use handrails and available steps and keep yourself well balanced. Do not grab or hold any of the control levers and switches. Do not jump on or off the machine, whether stationary or in motion.
2. Start and control the excavator only from the operator's seat. The driver should not lean out of his seat when the engine is running.
3. Before starting the engine, make sure that the lock levers are in the "LOCKED" position and all control levers and pedals are in their neutral positions and the seat belt is fastened correctly.
Before starting the engine, make sure that the control levers, travel lever, pedals and other control elements are not stuck and can be moved smoothly.
If stuck, for example, a lever may fail to return, possibly putting you in danger.
If anything wrong is found, immediately pinpoint the cause and correct it.
4. Before operating the excavator, make sure that the dozer blade is in front of you. If the levers are activated with the dozer blade at the rear, the tracks will move in the opposite direction of the drive levers.



◆ Working

1. Do not operate or idle engine in a non-ventilated area. Carbon monoxide gas is colorless, odorless, and deadly. If you experience the initial symptoms of low to moderate CO poisoning, which include the following, stop operation, seek medical attention and contact your local dealer. These symptoms are: headache, fatigue, shortness of breath, nausea, or dizziness.

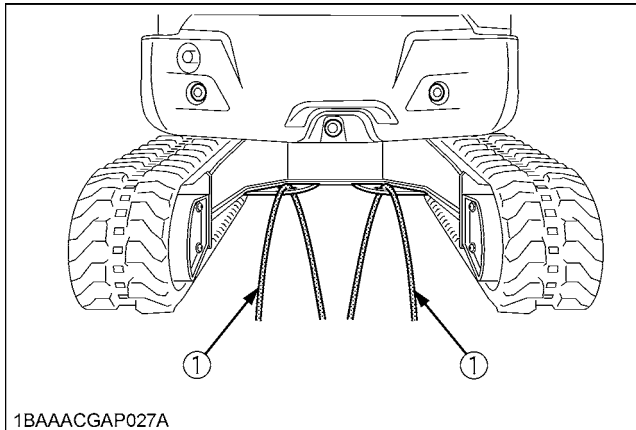


2. Keep all safety equipment and covers in place. Replace damaged or missing safety devices.
3. When operating, keep hands and body inside of the ROPS / OPG (Top Guard Level I) protective envelope. Do not touch or depress the control levers or the pedals from outside the cab while the engine is running.
4. Take precautions against tipping over. Stay away from steep slopes and embankments. Do not swing the bucket downhill. Lower the dozer blade when digging. Keep the bucket as low as possible while driving uphill. Turn slowly on slopes (at reduced speed). Do not place the excavator near the edges of trenches and banks, as the earth can give way due to the weight of the excavator.
Never cross an incline horizontally or at an angle, which can cause the machine to rollover. Approach inclines vertically to avoid loss of control.
Avoid performing any work with the machine when it is on an incline, which could cause it to become unbalanced and rollover. Always take care when moving the machine on an incline.
5. Watch where you are going at all times. Watch for and avoid obstacles. Remain alert for trees, wires and other obstructions.
6. Do not change direction on steep slopes, or the excavator could tip over.
Before changing direction, beware of people in the work area.
7. When the working light and CAB light alone do not provide sufficient visibility, prepare additional stationary artificial lighting and observe safety rules for night work.

▲-4 SAFE OPERATION

8. When towing the excavator or pulling a load, the load must be less than the strength of the towing line attached to excavator.

Max. drawbar pull at coupling hook	72 kN (16190 lbf, 7340 kgf)
Max. vertical load at coupling hook	40 kN (8990 lbf, 4080 kgf)



(1) Tow line

9. The towing eye should not be used for tie down or lifting of the machine.
10. When the excavator is parked or left unattended on a slope, be sure to put the bucket on the ground and place all control levers in neutral position, then brace the tracks with chocks.
- When working in groups, always let the others know what you are going to do before you do it. Keep others away from the machine working area. Be sure to lock the boom swing pedal when the boom swing function is not used.
11. For details of operating the excavator, see the "EXCAVATOR OPERATION" section.

◆ Safety for children

Tragedy can occur if the operator is not alert to the presence of children. Children generally are attracted to machines and the work they do.

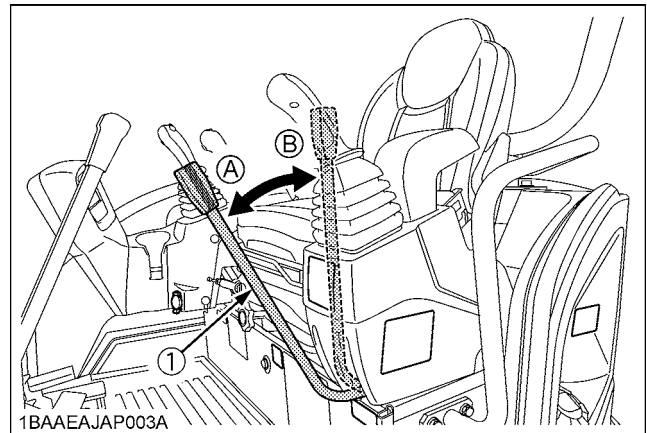
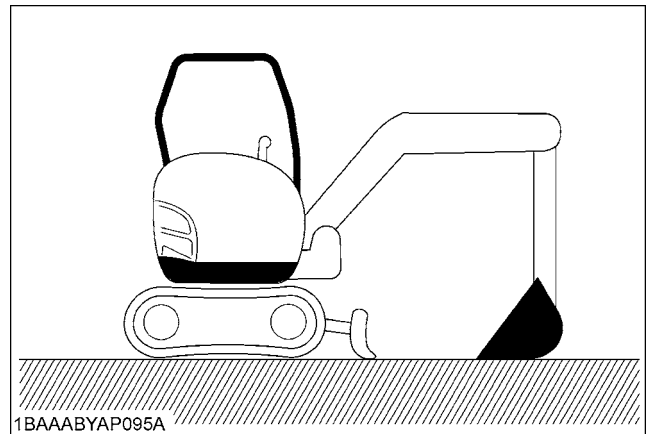
- Never assume that children will remain where you last saw them.
- Keep children out of the work area and under the watchful eye of another responsible adult.
- Be alert and shut your machine down if children enter the work area.
- Never carry children on your machine. There is not a safe place for them to ride. They may fall off and be run over or interfere with your control of the machine.
- Never allow children to operate the machine even under adult supervision.
- Never allow children to play on the machine or on the attachments.

7. Use extra caution when backing up. Look behind and down to make sure the area clear before moving.

3. AFTER OPERATION

Before leaving the machine,

- Park the excavator on a firm, flat and level surface. If this is not possible, park across the slope.
- Lower the attachments and the dozer blade to the ground.
- Stop the engine.
- Release pressure in the hydraulic system.
- Lock all control levers.
- Remove the key.
- Lock the cab door (if equipped)



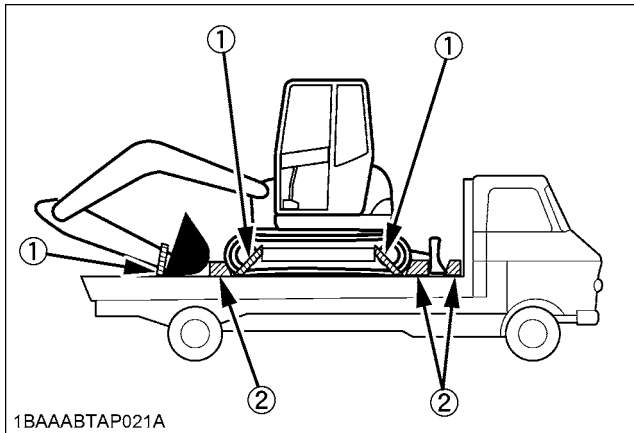
(1) Pilot control lock lever

(A) "UNLOCK"

(B) "LOCKED"

4. SAFE LOADING AND TRANSPORT OF THE EXCAVATOR

1. Observe all regulations concerning the transport of excavators on public roads.
2. Use adequately long and robust ramps when loading on the machine. (for details see "TRANSPORTING THE EXCAVATOR ON A VEHICLE")
3. Do not change the running direction and to avoid tipping over, do not try to swing the attachment crosswise to the loading ramps.
4. Lower the attachment on the loading bed and release the pressure from the hydraulic system.
After loading the excavator on the truck, block the tracks with blocks and tie down the excavator at the appropriate locations.



- (1) Chain
(2) Block

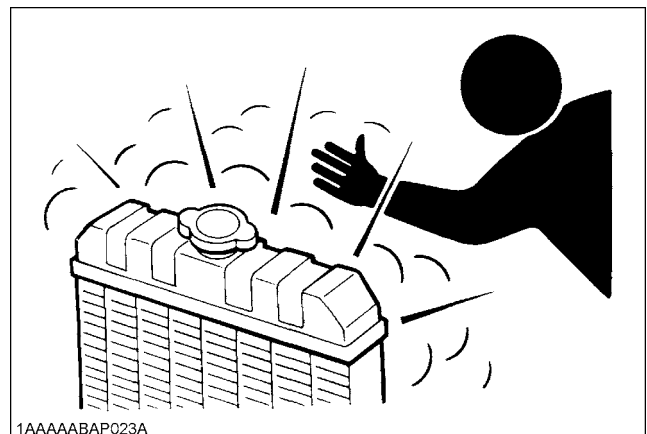
5. Avoid abrupt braking of the vehicle with the excavator loaded. Sudden braking causes the excavator to move and may cause a serious accident.
6. Do not use the hooks on the roof of CAB for lifting the excavator.

5. MAINTENANCE

Before doing maintenance work on the excavator, place the machine on a firm, flat and level surface, lower the attachments to the ground, stop the engine, release pressure trapped in the hydraulic system, lock all control levers and remove the key. When dismantling hydraulic parts, make sure that the hydraulic oil has cooled down sufficiently to avoid burns.

Start maintenance work carefully, e.g. loosen plug slowly so that oil will not squirt out.

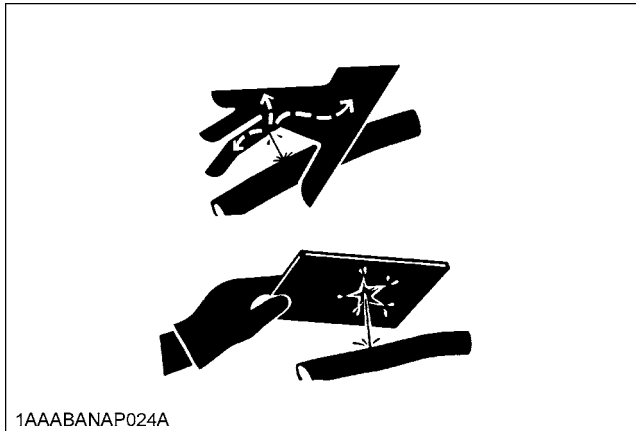
1. Before doing work on the engine, the exhaust system, the radiator and the hydraulics, let the excavator cool down sufficiently.
2. Always turn off the engine when filling the fuel tank. Avoid spilling and over-filling of fuel.
3. Smoking is prohibited while refueling or handling the battery. Keep sparks and fire away from the fuel tank and battery. Flammable gases escape from the battery, especially during charging.
4. Do not use or charge a refillable type battery if the fluid level is below the LOWER (lower limit level) mark. Otherwise, the battery component parts may prematurely deteriorate, which may shorten the battery's service life or cause an explosion. Check the fluid level regularly and add distilled water as required so that the fluid level is between the UPPER and LOWER levels.
5. Read and follow the directions "STARTING WITH AN AUXILIARY BATTERY" in "OPERATION OF THE ENGINE", when starting with an auxiliary battery.
6. Keep a first-aid box and a fire extinguisher at hand at all times.
7. Do not open the radiator cap before the radiator has cooled down sufficiently.
First loosen the cap to the first stop and allow the system enough time to release the remaining pressure. Then loosen the cap completely.



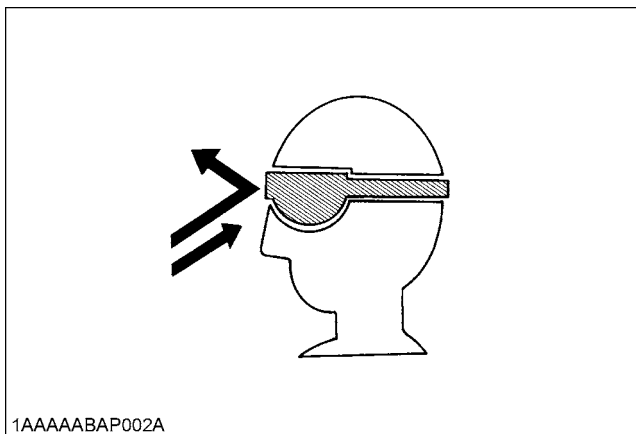
8. To avoid short-circuiting the battery, always remove the ground cable first and attach the positive cable first.

▲-6 SAFE OPERATION

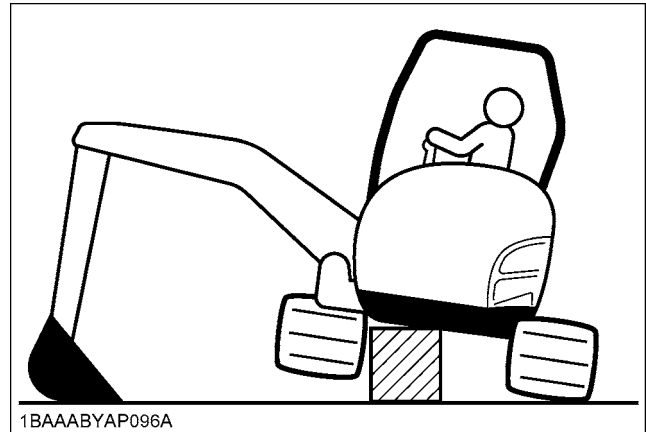
9. Oil under high pressure can penetrate the skin and may be harmful to your health if not treated immediately.
10. Leaking hydraulic fluid has enough pressure to penetrate the skin and cause serious injuries. Leakages from pin holes can be totally invisible. Do not use hands for checking for leaks. Always use a piece of wood or cardboard. It is strongly recommended that you use a face mask or eye protection. Should injuries occur with leaking hydraulic fluid, contact a doctor immediately. This fluid can cause gangrene or serious allergic reactions.



11. To avoid environmental damage from acid and heavy metals, dispose of the battery appropriately.
12. Observe all laws and regulations concerning the disposal of used oil, coolants, solvents, hydraulic fluids, battery acids and batteries.
13. To avoid fire, do not heat the hydraulic components (tanks, pipes, hoses, cylinders) before they have been drained and washed.
14. Use eye protection or a face mask to protect the eyes and respiratory system against dust and other foreign particles.



15. Securely support excavator with stands or suitable blocking before working underneath. For your safety, do not work under any hydraulically supported devices. They can settle, suddenly leak down, or be accidentally lowered.



16. Do not dismantle the spring of the track tensioner. If dismantling is necessary, contact your KUBOTA dealer where the machine was purchased, or competent service shop. The assembly must be done according to the KUBOTA work shop manual (W.S.M.) for the product involved.
17. When lifting the machine itself with an attachment, place a safety block or safety post to prevent the machine from rolling over. Keep the pilot control lock lever in the "LOCKED" position.
18. Inspect ROPS / OPG (Top Guard Level I) for damage and if damage is found contact your KUBOTA dealer for repair.
19. KUBOTA does not use asbestos containing components and recommends against the use of such components. Components containing asbestos should be handled in accordance with applicable regulations and industry practice.
20. Fire prevention
Excavator and some attachments have components that are at high temperatures under normal operating conditions. The primary source of high temperatures is the engine and exhaust system. The electrical system, if damaged or incorrectly maintained, can be a source of arcing or sparks. The following fire prevention guidelines will help to keep your equipment up and running efficiently and keep the risk of fire to a minimum.
 - Blow off all accumulated debris near hot engine exhaust components such as turbocharger and exhaust manifold as well as exhaust pipes and muffler more frequently when working in severe conditions.
 - Clean out all accumulated flammable debris such as leaves, straw, pine needles, branches, bark, small wood chips and any other combustible materials from inside the machine belly pans or lower unit structures as well as from area in proximity to the engine.

- Inspect all fuel lines and hydraulic hoses for wear or for deterioration. Replace them immediately if they begin to leak.
- Examine electrical wiring and connectors frequently for damage. Repair any wires that are loose or frayed before operating the machine. Clean all electrical connections and tighten all electrical connections as necessary.
- Inspect the exhaust system daily for any signs of leakage. Check for broken pipes and muffler and also for loose or missing bolts, nuts and clamps. If any exhaust leaks or fractured parts are found, repairs must be completed prior to operation.
- Always keep a multipurpose fire extinguisher on or near the machine. Be familiar with the operation of the fire extinguisher.

6. DANGER, WARNING AND CAUTION LABELS

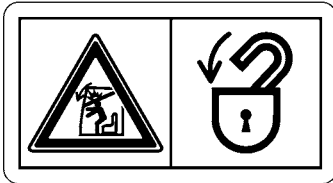
(1) Part. No. 6C300-4744-1



1AGAIHFAP069A

(4) Part. No. RB419-5793-1 [CAB]

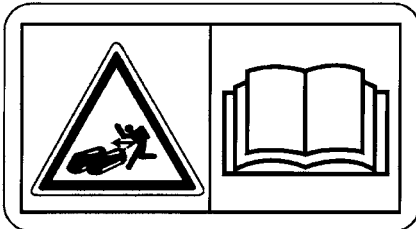
Do not forget to lock the front window.



1BAAABYAP158E

(5) Part. No. RD809-5795-1

Do not loosen the grease nipple completely or too quickly.



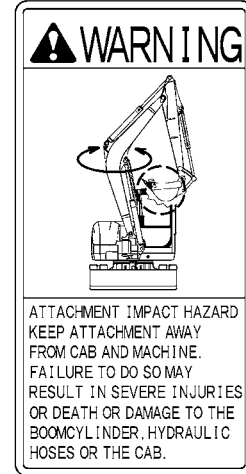
1BAABAMAP0010

(2) Part. No. RD809-5736-1

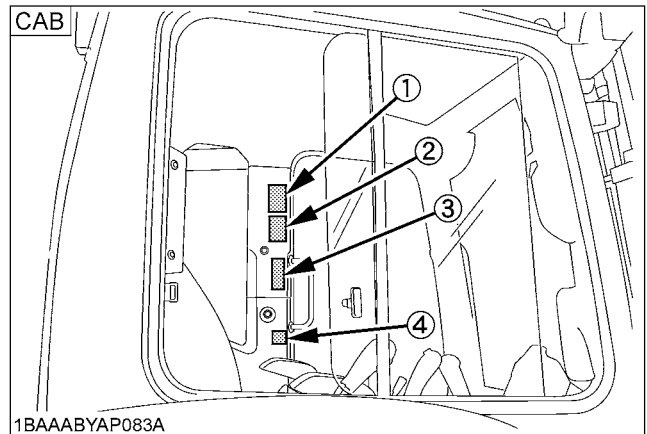


1BAAACDAP243A

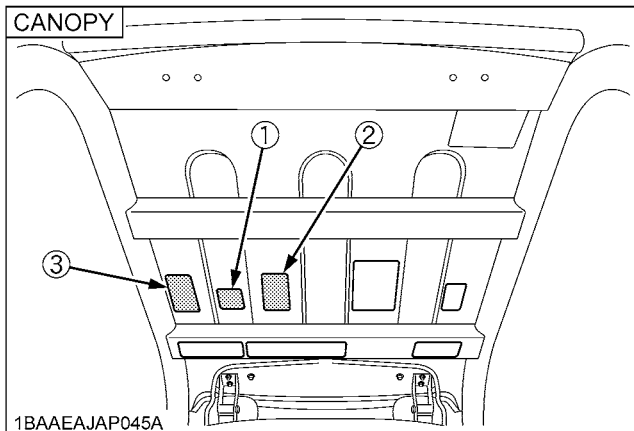
(3) Part. No. RD809-5738-2



1BAAAAAP1000

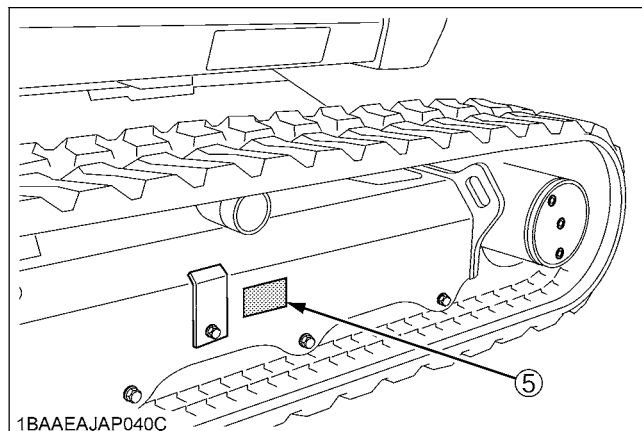


1BAAABYAP083A



1BAAEAJAP045A

1BAAEAJAP062A



1BAAEAJAP040C

(1) Part. No. RC488-5728-1

▲WARNING	TO AVOID PERSONAL INJURY OR DEATH:
	<ol style="list-style-type: none"> 1. Read and understand operator's manual before attempting to start or operate the excavator. Read the manual of the attachment to do a correct operation safely when other attachments are installed instead of Kubota specified bucket. 2. Before starting engine, make sure all control levers are in neutral and the operating area is clear of all bystanders. 3. Never allow passengers on any part of the excavator while operating. 4. Know your work area before starting operation. <ul style="list-style-type: none"> • Check underground lines and cables. • Stay off slopes too steep for safe operation. • Check for hidden holes, obstacles or drop-offs and overhangs. 5. Make sure all shields are in place and securely fastened. 6. Before dismounting from the machine, lower all attachment to the ground, stop the engine and remove the key. 7. Damaged ROPS must be replaced, not repaired or revised. <p>Never use boom, dipper, or bucket to hammer or beat sideways. Excavator is not intended for these usages.</p>
IMPORTANT	

1BA AACGAP003A

(2) Part. No. RC488-5737-1

▲WARNING
TO AVOID PERSONAL INJURY OR DEATH: Do not open engine hood before stopping engine. Only when engine does not stop with the key, Pull back this stop button and hold it until the engine stops.

1BA AACGAP004A

(3) Part. No. RC418-5727-4 (CANOPY)

	▲WARNING	
TO AVOID PERSONAL INJURY OR DEATH: Before moving the excavator, KNOW THE LOCATION OF THE DOZER BLADE. The excavator will travel in the direction of the dozer blade when drive levers are moved away from the operator.	DO NOT OPERATE WITHOUT ROPS. YOU COULD BE CRUSHED. USE SEAT BELT	

1BAAAQAP0790

(3) Part. No. RD809-5727-1 (CAB)

	▲WARNING	
TO AVOID PERSONAL INJURY OR DEATH: Before moving the excavator, KNOW THE LOCATION OF THE DOZER BLADE. The excavator will travel in the direction of the dozer blade when drive levers are moved away from the operator.	DO NOT OPERATE WITHOUT ROPS. YOU COULD BE CRUSHED. USE SEAT BELT	

1BAAABAP119E

(4) Part. No. RD358-5745-1

<Standard> (Normal blade type)

▲WARNING	
TO AVOID PERSONAL INJURY OR DEATH: Do not push the dozer control lever into the float position while the machine is supported by the dozer blade.	

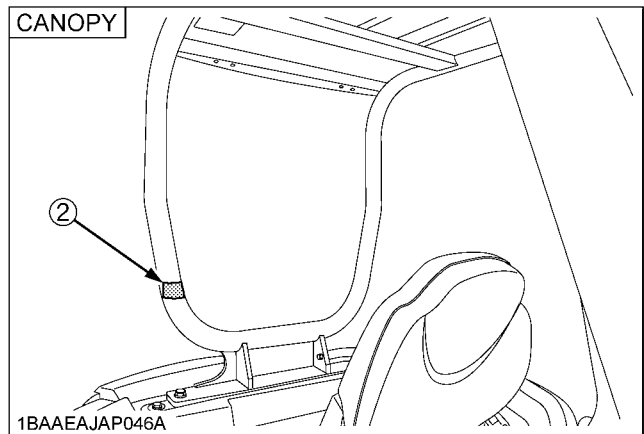
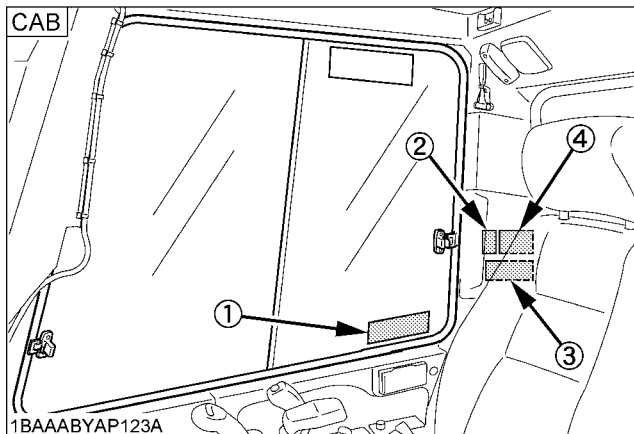
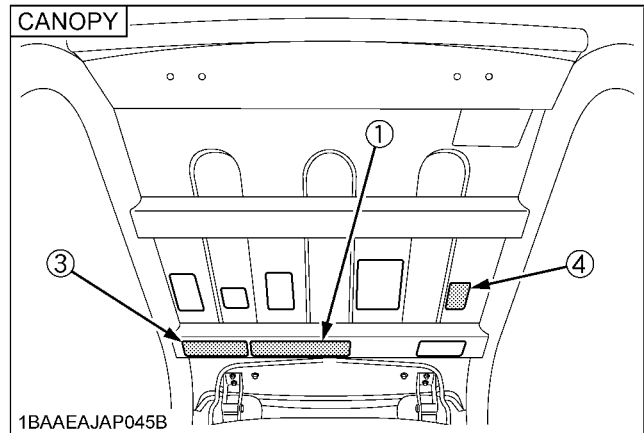
1BAAABYAP120E

(4) Part. No. RD158-7596-1

(Angle blade type)

▲WARNING	
TO AVOID PERSONAL INJURY OR DEATH: Do not push the dozer control lever into the float position while the machine is supported by the dozer blade.	

1BAAAADAP1150



(1) Part. No. RC488-5763-1



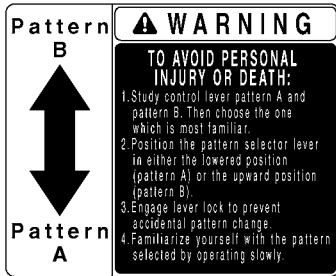
1BAAACGAP023A

(2) Part. No. RC488-5753-1

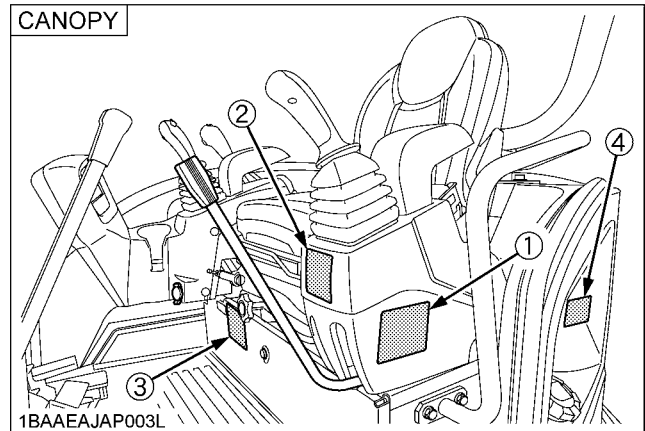


1BAAACGAP006A

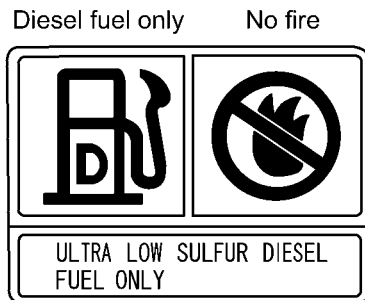
(3) Part. No. RC488-5732-1



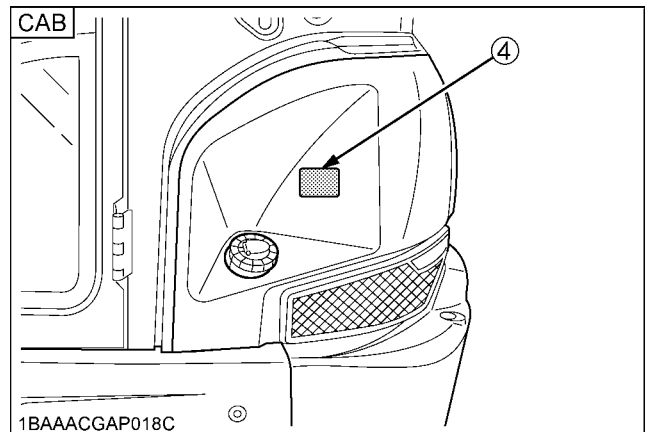
1BAAACGAP007A



(4) Part. No. RD358-5736-1



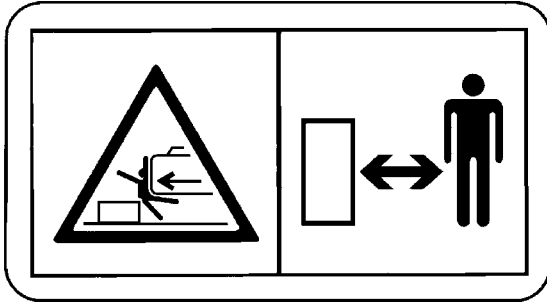
1BAAGAAAP1810



1BAAACGAP0080

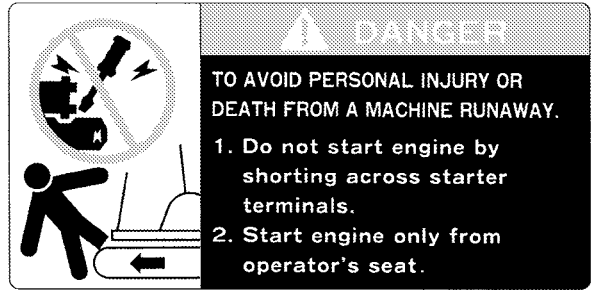
(1) Part. No. RC788-5727-2

Do not allow any persons within the working range.



1BAAEAJAP069A

(2) Part. No. RC108-5718-1



1BAAGAAP0250

(3) Part. No. RC488-5714-1



1BAAACGAP009A

(4) Part. No. RC488-5765-1

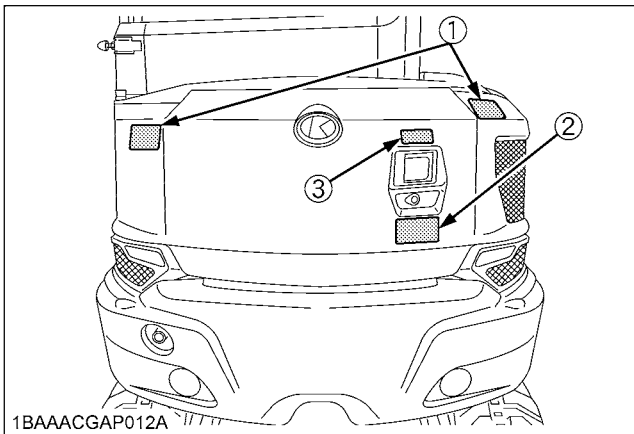


1BAAACGAP010A

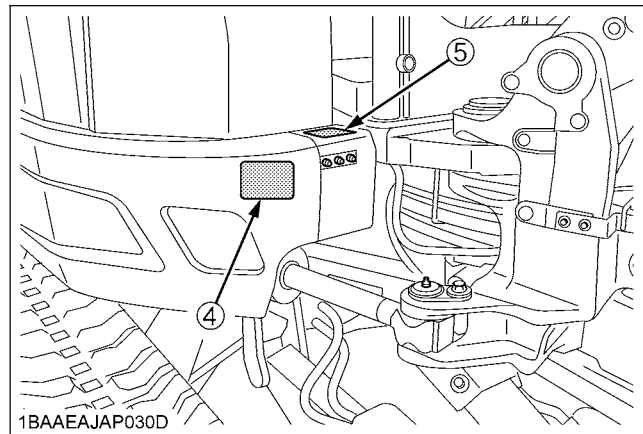
(5) Part. No. RC488-5764-1



1BAAACGAP011A



1BAAACGAP012A

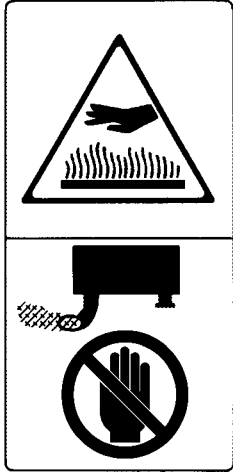


1BAAEAJAP030D

1BAAACGAP0130

(1) Part. No. RB449-5738-1

Do not touch hot parts
such as exhaust etc.



1BAAAADAP0810

(2) Part. No. RC418-5737-4

Keep away from fan
and fan belt.



1BAAEBBAP0020

(3) Part. No. 6C040-5559-1

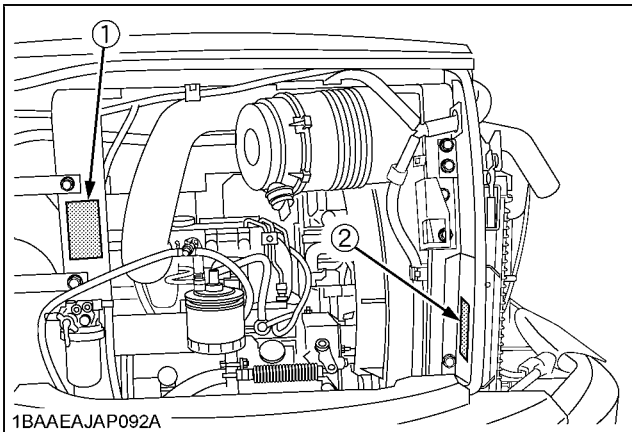
DANGER EXPLOSIVE GASES
Cigarettes, flames or sparks could cause battery to explode. Always shield eyes and face from battery. Do not charge or use booster cables or adjust post connections without proper instruction and training.
KEEP VENT CAPS TIGHT AND LEVEL
POISON CAUSES SEVERE BURNS
Contains sulfuric acid. Avoid contact with skin, eyes or clothing. In event of accident flush with water and call a physician immediately.
KEEP OUT OF REACH OF CHILDREN

1BAAAGAAP0360

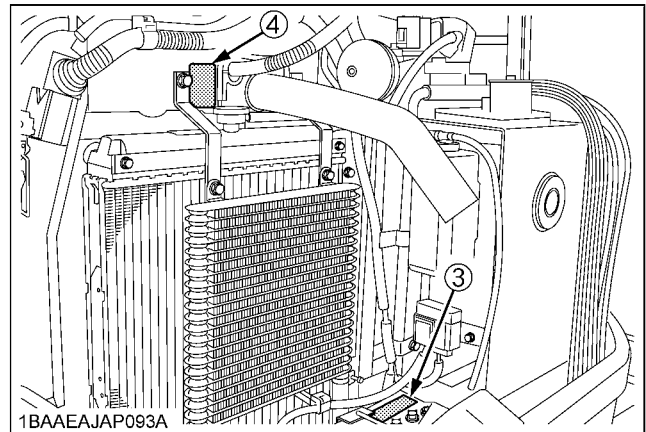
(4) Part. No. RC488-5754-1



1BAAACGAP028A



1BAAEAJAP092A

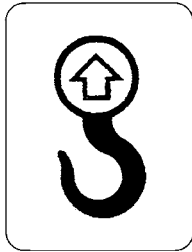


1BAAEAJAP093A

1BAAEAJAP066A

(1) Part. No. RC108-5796-1 [Both sides]

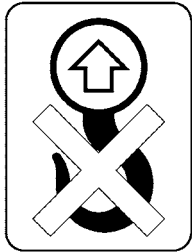
Lifting point



1BAAAAQAP0940

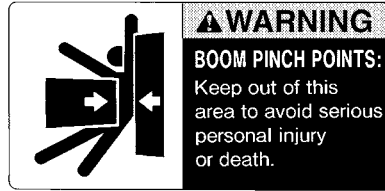
(3) Part. No. RB419-5796-2 [Both sides]

Do not use the hook for lifting.



1BAABAUAP2720

(2) Part. No. 68328-5735-1 [Both sides]



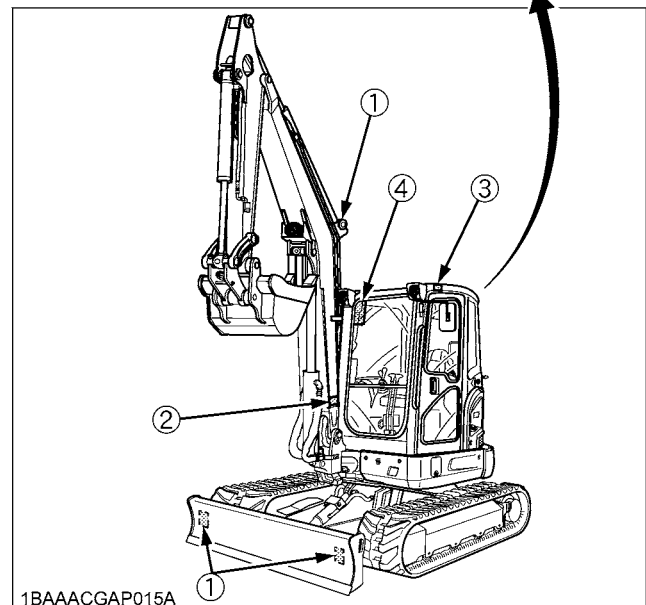
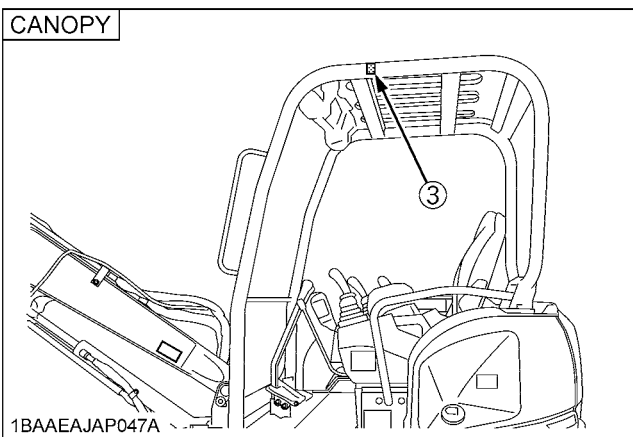
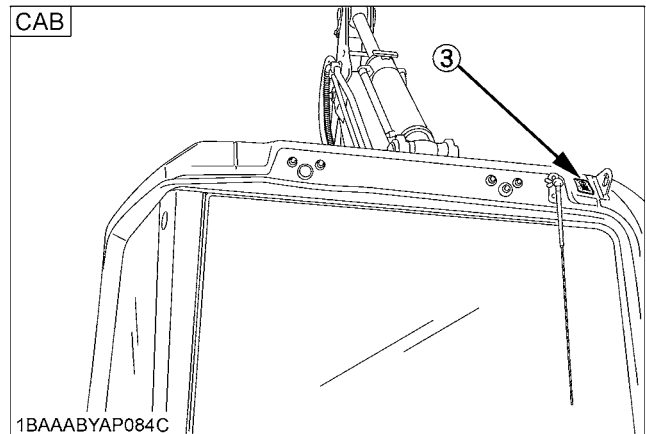
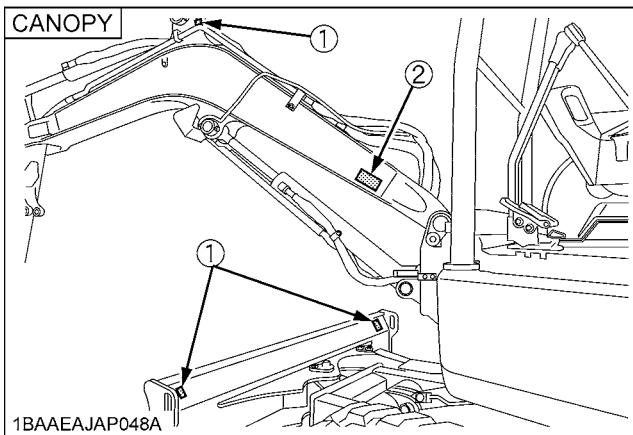
1BAAGAAP0270

(4) Part. No. RC488-5785-1 [CAB]

Open slowly the front window to avoid hitting the body.



1BAAACGAP014A



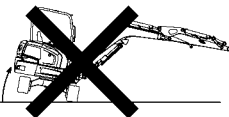
1BAAACGAP0160

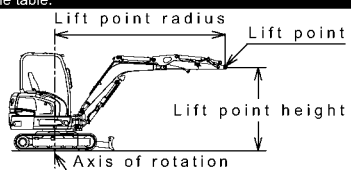
(1) Part. No. RC488-5747-1

⚠ WARNING

TO AVOID PERSONAL INJURY OR DEATH:

- Do not move raised load over people.
- It is forbidden to lift loads greater than those values mentioned in the lifting capacity tables.
- The values mentioned in the table are valid only on even, hard grounds. When lifting on soft ground, the machine can tilt over due to the fact that the load is concentrated only on one side of the machine.
- The table values are calculated at the end of the arm without the bucket. In order to find the allowable loads for machines with bucket, the bucket weight must be subtracted from the values in the table.



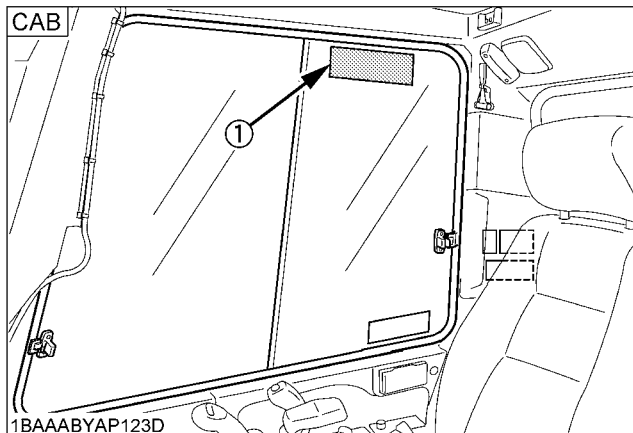


1. The lifting capacities are based on ISO 10567 and do not exceed 75 % of the static tilt load of the machine or 87% of the hydraulic lifting capacity of the machine.
2. The strokes are as follows.
 - 1) The load point corresponds to the front bolt part of the arm.
 - 2) The machine positions are (i) over-front (Blade down), (ii) over-front (Blade up), and (iii) over-side.
 - 3) The operating cylinder is the boom cylinder.
3. The bucket of the excavator, the hook, the sling and other lifting accessories are taken into consideration for the loads.

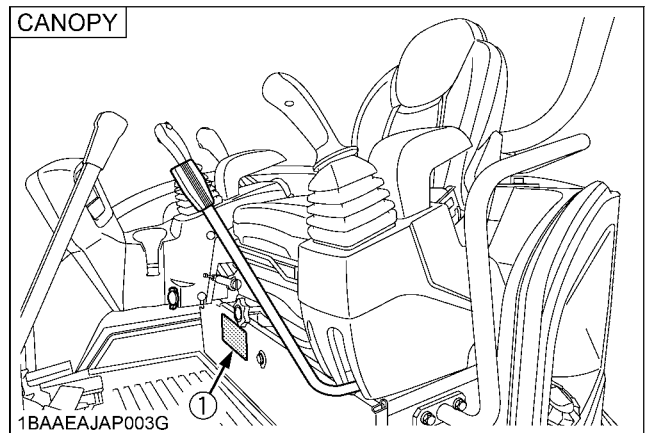
LIFT POINT HEIGHT (ft)	LIFTING CAPACITY OVER-FRONT BLADE DOWN Unit=1000 lbs.					LIFTING CAPACITY OVER-FRONT BLADE UP Unit=1000 lbs.					LIFTING CAPACITY OVER-SIDE Unit=1000 lbs.				
	LIFT POINT RADIUS (ft)					LIFT POINT RADIUS (ft)					LIFT POINT RADIUS (ft)				
	MIN	6	10	14	MAX	MIN	6	10	14	MAX	MIN	6	10	14	MAX
12			1.08					1.08					1.08		
10			1.03					1.03					1.03		
8			1.14					1.14					1.14		
6			1.37	1.23	1.23			1.37	0.96	0.91			1.37	0.89	0.84
4			1.66	1.29	1.27			1.57	0.95	0.88			1.42	0.87	0.81
2			1.92	1.36	1.30			1.52	0.94	0.88			1.38	0.86	0.81
0			2.79	2.10	1.38 1.34			2.79	1.50	0.93 0.90			2.79	1.35	0.86 0.83
-2	1.88	4.03	2.15			1.88	3.45	1.48			1.88	2.88	1.34		
-4	2.69	3.99	2.04			2.69	3.48	1.49			2.69	2.91	1.35		
-6		3.28	1.65				3.28	1.52				2.96	1.37		
-8		1.94					1.94					1.94			

Machine with ROPS canopy and rubber crawler, without bucket

1BAAACGAP024A



1BAAACGAP0250



7. CARE OF DANGER, WARNING AND CAUTION LABELS

1. Keep danger, warning and caution labels clean and free from obstructing material.
2. Clean danger, warning and caution labels with soap and water, and dry with a soft cloth.
3. Replace damaged or missing danger, warning and caution labels with new labels from your KUBOTA dealer.
4. If a component with danger, warning and caution label(s) affixed is replaced with new part, make sure new label(s) is (are) attached in the same location(s) as the replaced component.
5. Mount new danger, warning and caution labels by applying on a clean dry surface and pressing any bubbles to outside edge.

DEALER SERVICE

Your KUBOTA dealer is always ready to help so that your excavator offers the best performance. After having carefully read these instructions, you will realize that much of the routine maintenance can be done by yourself. For service, contact the KUBOTA Dealer shop from which you purchased your product, or your local KUBOTA dealer. When ordering spare parts from your KUBOTA dealer, always mention the serial number of the excavator and the engine.

Note these numbers right away in the supplied lines.

	Model	Serial No.
Excavator		
Engine		
Dealer's name (To be filled in through the owner)		
Date of purchase		

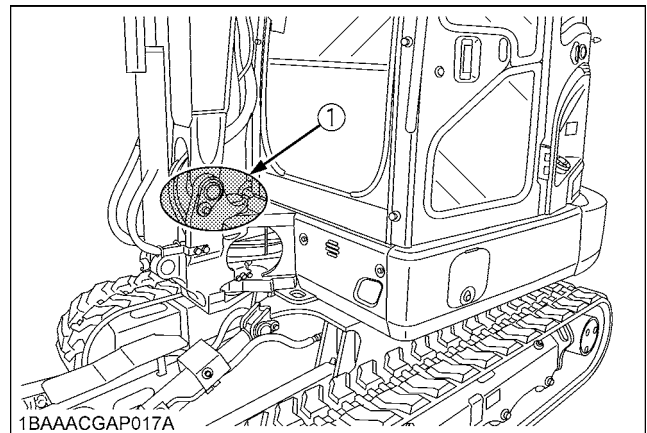
◆ **Warranty policy**

This product is warranted under the KUBOTA Limited Express Warranty, a copy of which may be obtained from your selling dealer. No warranty shall, however, apply if the product has not been handled according to the instruction given in the Operator's Manual even it is within the warranty period.

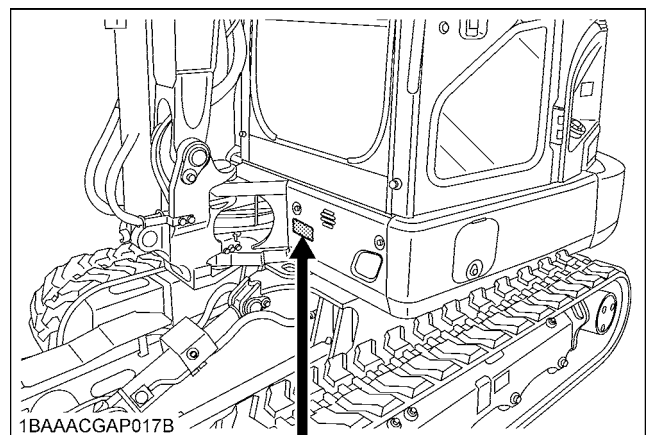
The Product(s) described in this Operator's Manual are designed and manufactured only for the country in which they are initially wholesaled by KUBOTA or one of its affiliated companies. Neither KUBOTA Corporation nor its affiliated companies provide warranty for any Product which is re-sold or retailed in any country other than the country for which the Product(s) were designed or manufactured.

◆ **Scrapping the product and its procedure**

To put the product out of service, correctly follow the local rules and regulations of the country or territory where you reside. If you have questions, consult your local KUBOTA Dealer.



(1) Serial No.



KUBOTA Corporation

2-47, Shikitsuigashi 1-Chome Naniwa-ku, Osaka, 556-8601 JAPAN

MODEL _____

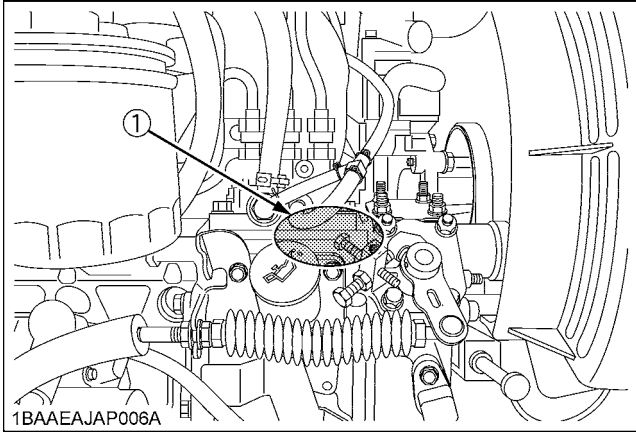
SERIAL No. _____

ENGINE No. _____

PRODUCT IDENTIFICATION NUMBER _____

1BAAABSAP099A

1BAAABSAP099A



(1) Engine serial No.

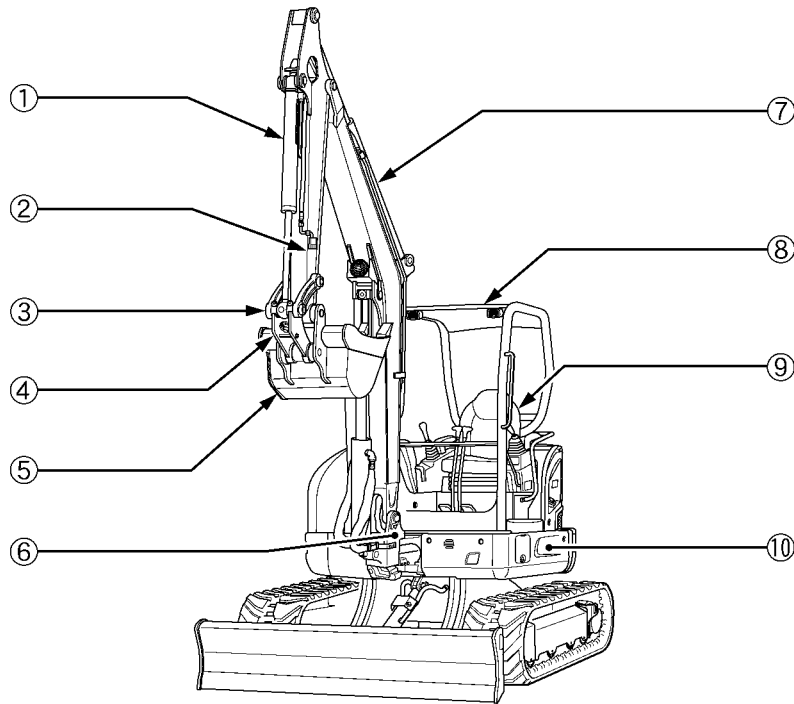
TECHNICAL DATA

				KUBOTA EXCAVATOR			
Model name				KX033-4			
Type				Canopy	CAB	Angle Blade Type	
						Canopy	CAB
Operating weight (including operator's)		kg (lbs.)		3368 (7426)	3514 (7748)	3532 (7788)	3678 (8110)
Engine	Type		Water cooled 4 cycle diesel engine with 3 cylinder				
	Model name		D1703-M-DI-E4-US1	D1703-M-DI-E4-US2	D1703-M-DI-E4-US1	D1703-M-DI-E4-US2	
	Total displacement		cc (cu.in)	1647 (100.5)			
	Engine power	SAE gross	kW (HP)	18.5 (24.8)			
		SAE net	kW (HP)	17.8 (23.9)			
	Rated speed		rpm	2200			
	Low idle speed		rpm	1300 ~ 1350			
Performance	Unit swing speed		rpm	8.5			
	Travel speed	Fast	km/h (mph)	4.6 (2.9)			
		Slow	km/h (mph)	3.0 (1.9)			
	Ground pressure (With operator)		kPa (kgf/cm ²) [psi]	30.8 (0.31) [4.5]	32.2 (0.33) [4.7]	32.3 (0.33) [4.7]	33.6 (0.34) [4.9]
	Climbing angle		% (deg)	*58 (30)			
	Angle in case of crossing slope		% (deg)	*27 (15)			
Dozer	Width x Height		mm (in.)	1550 x 341 (61.0 x 13.4)			
	Max swing angle	Left	deg	---		25	
		Right	deg	---		25	
Boom swing angle		Left	rad (deg)	1.22 (70)			
		Right	rad (deg)	0.83 (48)			
Pressure connection for attachments	Max. displacement (Theoretical)		L (US gal)/min	60.5 (15.9) (AUX1 port) 39.6(10.5) (Thumb port)			
	Max. pressure		MPa (kgf/cm ²) [psi]	17.2 (175) [2494]			
Fuel tank capacity			L (US gal)	45.1 (11.9)			

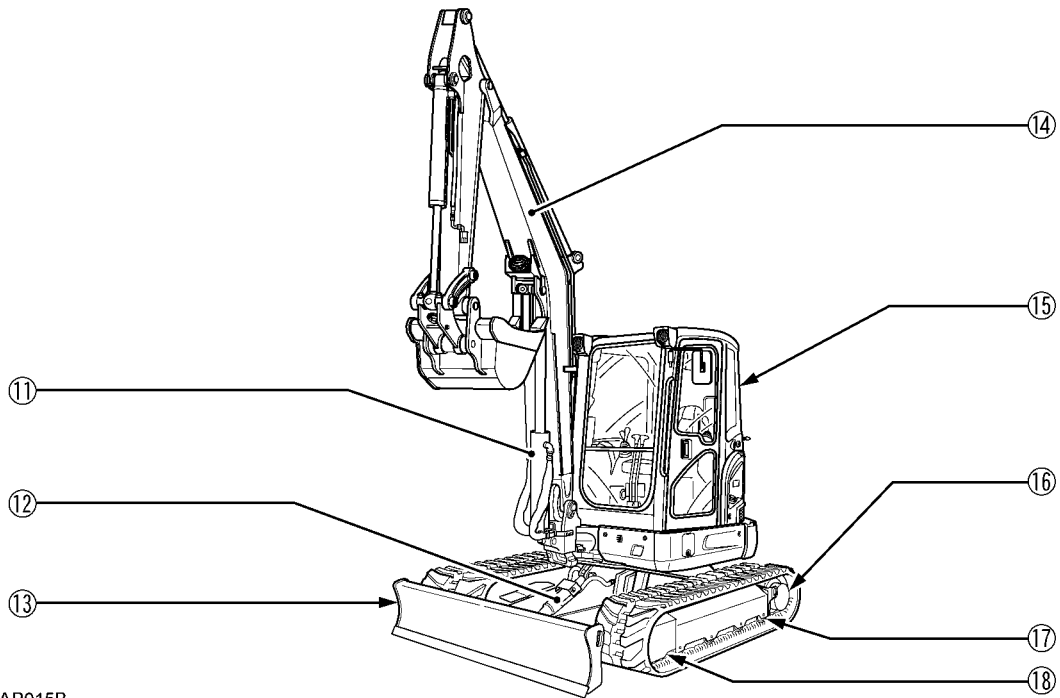
NOTE :

- Above dimensions are based on the machine with rubber trucks.
- Specifications subject to change without notice.
- * With unloaded digging bucket. (Q/C BUCKET)
- * Firm compacted soil.
- * Operators must exercise extra caution and follow instructions in the operator's manual.
- * Worse condition or heavier attachment to the above will decrease climbing angle.

DESCRIPTION OF MACHINE PARTS



1BAAACGAP022A



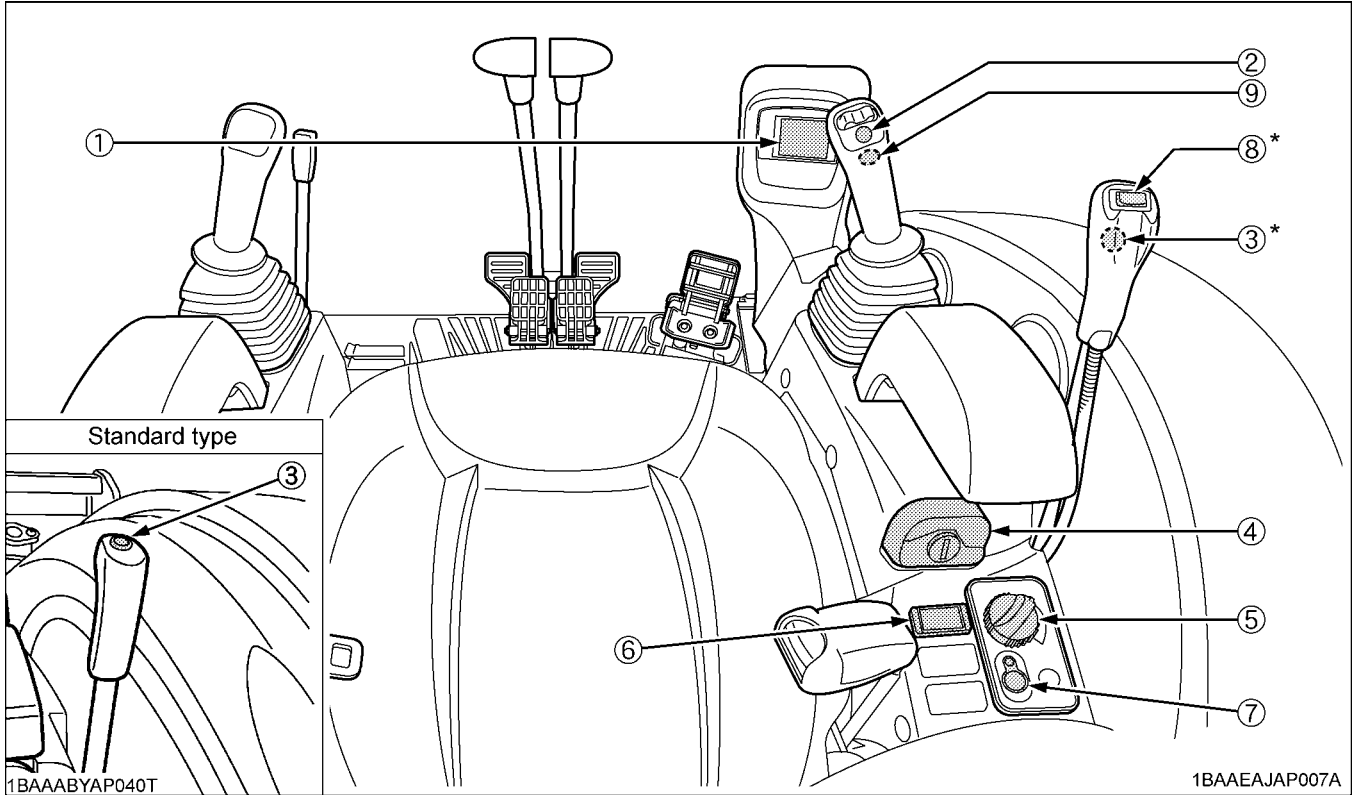
1BAAACGAP015B

DEPICTED CONTENTS

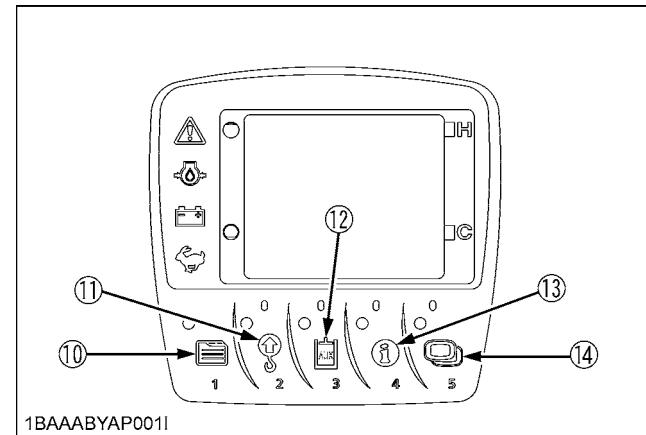
- | | | | |
|-------------------------|-------------------|---------------------|---------------------|
| (1) Bucket cylinder | (6) Swing bracket | (11) Boom cylinder | (16) Drive sprocket |
| (2) Arm | (7) Arm cylinder | (12) Dozer cylinder | (17) Track roller |
| (3) Bucket link 2 and 3 | (8) Canopy | (13) Dozer blade | (18) Front idler |
| (4) Bucket link 1 | (9) Seat | (14) Boom | |
| (5) Bucket | (10) Swing frame | (15) Cab | |

INSTRUMENT PANEL AND CONTROL ELEMENTS

Instrument Panel, Switch



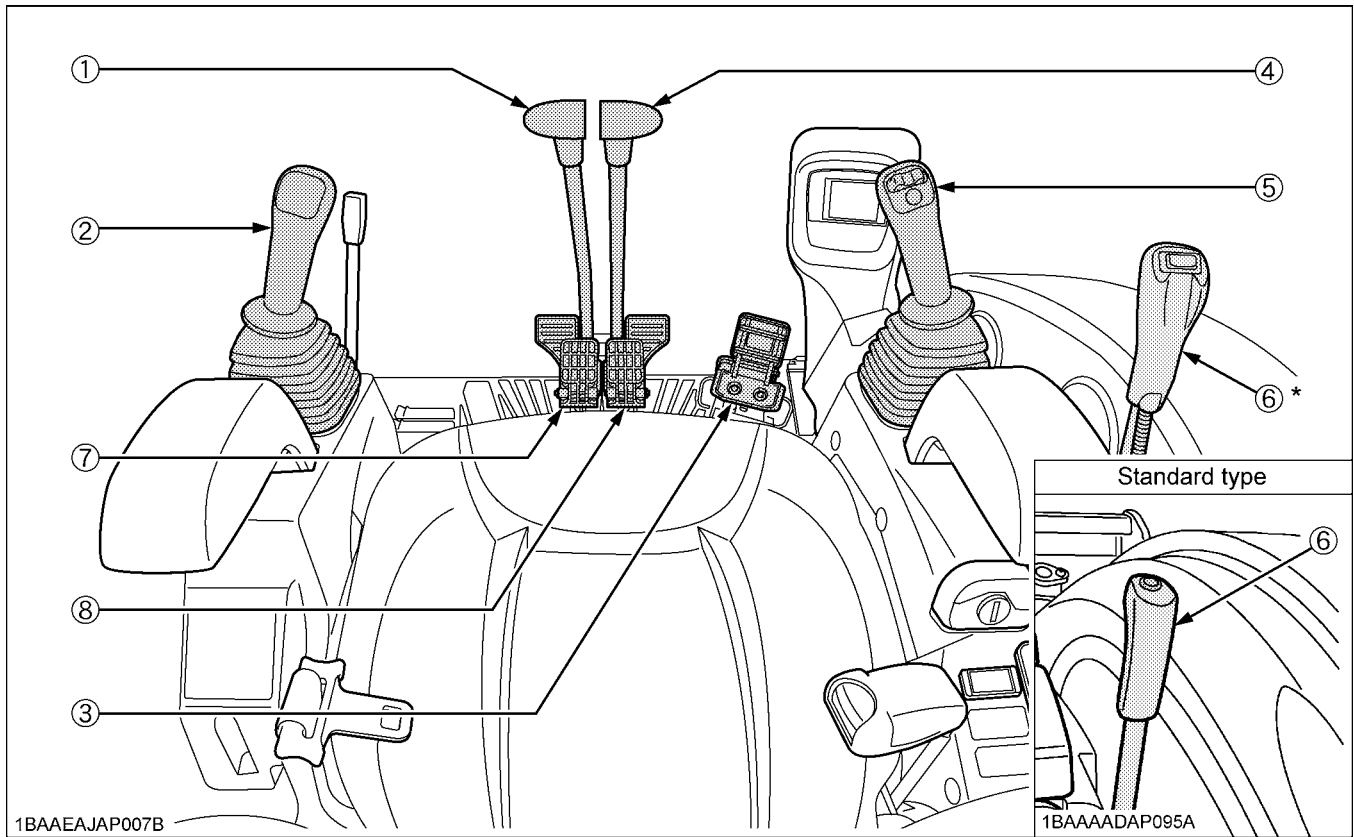
- (1) LCD
- (2) Horn switch
- (3) Travel speed switch
- (4) Starter switch
- (5) Throttle potentiometer
- (6) Light switch
- (7) Auto idle control switch
- (8) Angle blade control switch
- *Angle blade type only
- (9) One way hold switch



- (10) User setting switch (Switch 1)
- (11) - (Switch 2)
- (12) AUX port enable switch (Switch 3)
- (13) Information switch (Switch 4)
- (14) Display selector switch (Switch 5)

	Ref. page
Starter switch.....	7
Display selector switch.....	8
LCD.....	8
Fuel gauge	
Coolant temperature gauge	
Hour meter	
Engine tachometer	
Glow indicator	
Warning lamp.....	11
Information switch.....	11
User setting switch.....	13
Horn switch.....	18
Light switch.....	18
AUX port enable switch.....	18
Auto idle control switch.....	19
Throttle potentiometer.....	19
Travel speed switch.....	19

■ Control Pedals and Levers



- | | | | |
|-------------------------------------|-------------------------|--------------------------------------|-------------------------|
| (1) Drive lever (left) | (3) Boom swing pedal | (5) Attachment control lever (right) | (7) Drive pedal (left) |
| (2) Attachment control lever (left) | (4) Drive lever (right) | (6) Dozer control lever | (8) Drive pedal (right) |
| | | *Angle blade type | |

	Ref. page
Drive lever (left)	31
Attachment control lever (left)	35, 36,36, 35
Boom swing pedal	36
Drive lever (right)	31
Attachment control lever (right)	35, 36,36, 35
Dozer control lever	33

CHECKS BEFORE START

DAILY CHECKS

In order to avoid damage, it is important to check the condition of the excavator before starting.



WARNING

To avoid personal injury or death:

- Do maintenance work on the excavator only on level ground with the engine off and the pilot control lock lever in the "LOCKED" position.

Checks

Go around the excavator and check for visual damage and wear.

Check coolant level. (See "DAILY CHECKS" in "MAINTENANCE" section.)

Check fuel level.

Check engine oil level.

Check hydraulic fluid level.

Check air filter for clogging.

Check all grease points.

Check all control lamps, indicators, tachometer and hour meter.

Confirm all controls move freely and do not stick.

Check the light system.

Check the seat belt and the ROPS / OPG (Top Guard Level I) safety device.

Check the condition of the safety and warning labels.

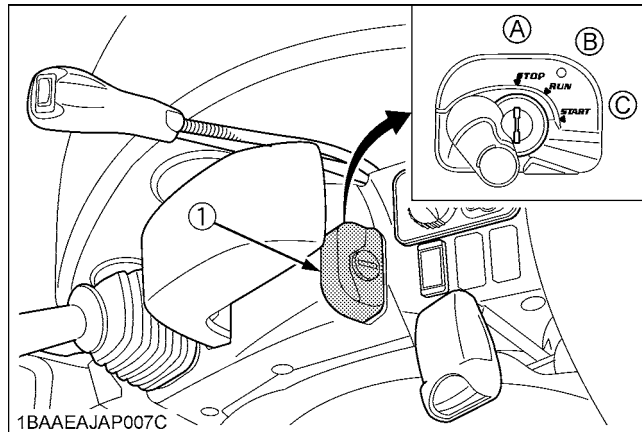
(See "DANGER, WARNING AND CAUTION LABELS" in "SAFE OPERATION" section.)

Inspect ROPS / OPG (Top Guard Level I) for damage and if damage is found, contact your KUBOTA dealer for repair.

CHECKING THE DEVICES

■ Starter Switch

- **[STOP]**
The key can be inserted at the "STOP" position.
- **[RUN]**
Turn the key one click from the "STOP" position to the "RUN" position. All the circuitry gets energized to start preheating. The glow indicator is displayed. To check for any lamp breakage, however, the lamp lights up and stays on for about 1 second.
- **[START]**
Move the pilot control lock lever to the "LOCKED" position. Turn the key from the "RUN" position another click to the "START" position. The starter motor is then activated to get the engine started. Release your hand from the key, and the key returns itself to the "RUN" position. In other words, once the engine has started, be sure to free the key.



(1) Starter switch

(A) STOP
(B) RUN
(C) START

NOTE :

- If the key is repositioned from "RUN" to "STOP" but not pulled out, the message "**pull out key**" appears onscreen.
- With the key off and pulled out, nothing appears onscreen.

[Status with the key off but not pulled out]

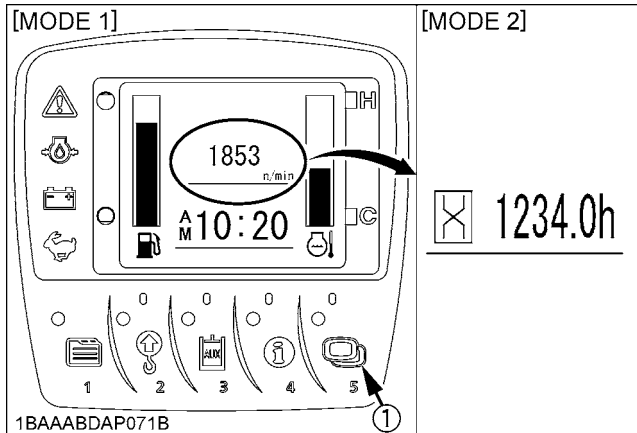


1BAABB LAP259B

■ Display Selector Switch

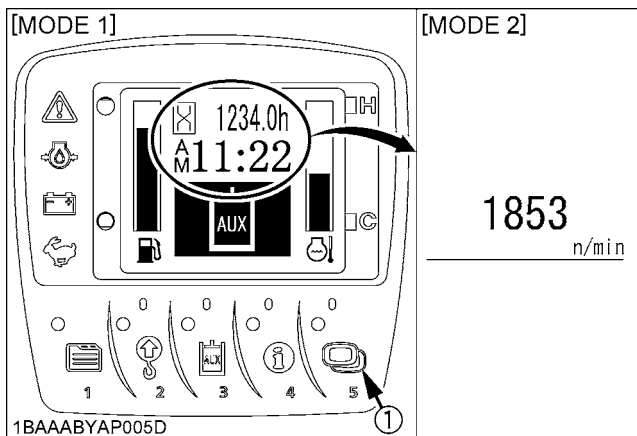
Press the display selector switch while the engine is running. The LCD meter display will change from one indication mode to the other.

Change the **two-mode** display according to your jobs.



(1) Display selector switch

◆ AUX port in use



(1) Display selector switch

NOTE :

- Even with the starter key not yet inserted, press the electronic meter's user setting switch or the display selector switch, and the LCD shows the hour meter, fuel gauge, water temperature gauge and clock for 10 seconds.

■ LCD for Normal Operation

◆ Fuel gauge

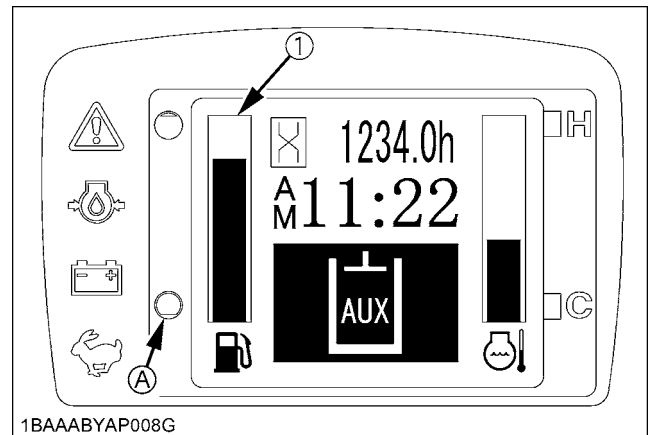


WARNING

To avoid personal injury or death:

- Before adding fuel, be sure to stop the engine.
- Be sure to keep open flame away from the machine. Otherwise a fire may result.

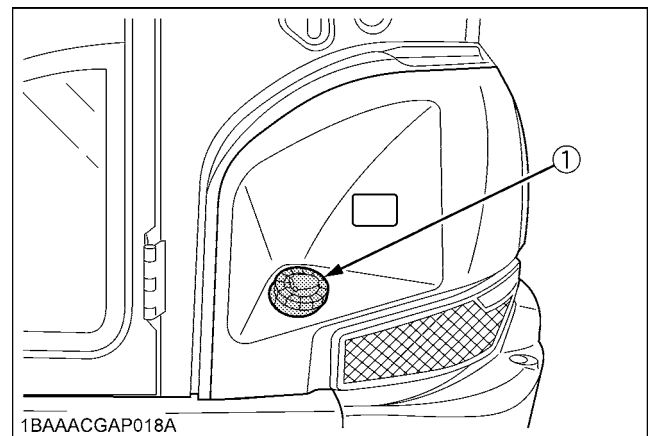
With the starter key at the "RUN" position, the fuel remaining in the fuel tank is indicated in the block.



(1) Fuel gauge

(A) "E"

If the fuel runs short, open the cap and refuel the tank.



(1) Fuel cap

IMPORTANT :

- If the fuel gauge indicator is near the "E" or the "Feed fuel" message appears, add fuel as soon as possible. If the indicator is near "E" and the machine is operated on a slope, the engine may run out of fuel.

NOTE :

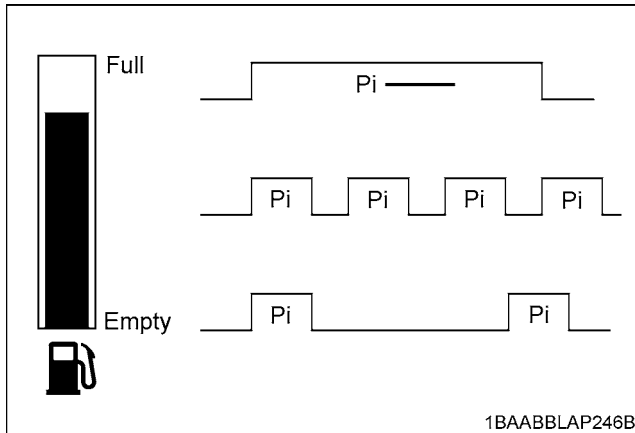
- To open the fuel cap, keep the key inserted.

◆ Fuel supply

The following functions are helpful when adding the fuel. The fueling progress can be monitored by a buzzer sound.

Procedure

1. Press the user setting switch (switch 1) or the display selector switch (switch 5) on the meter with the key OFF. (Keep the key at OFF.)



2. Add fuel.
3. The buzzer sound interval changes according to the amount fuel added. As the fuel amount becomes close to full, the buzzer sound changes to continuous beeping.

NOTE :

- If the fuel is poured too fast, the buzzer may not sound according to the fueling process.
- The moment when the fuel tank is nearly full, the buzzer starts beeping.
- Look into the fuel tank when pouring the fuel. Listen to the buzzer sound for a rough estimate of the fill-up progress.

◆ Coolant Temperature Gauge

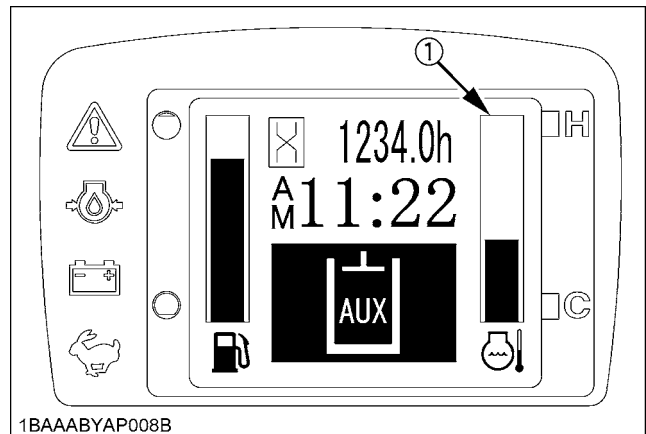


WARNING

To avoid personal injury or death:

- Do not open the radiator cap during or just after operation. Hot coolant may gush out and scald you. Wait for the coolant to cool down before opening the cap.

With the starter key at the "RUN" position, the coolant temperature is indicated.



(1) Coolant temperature gauge

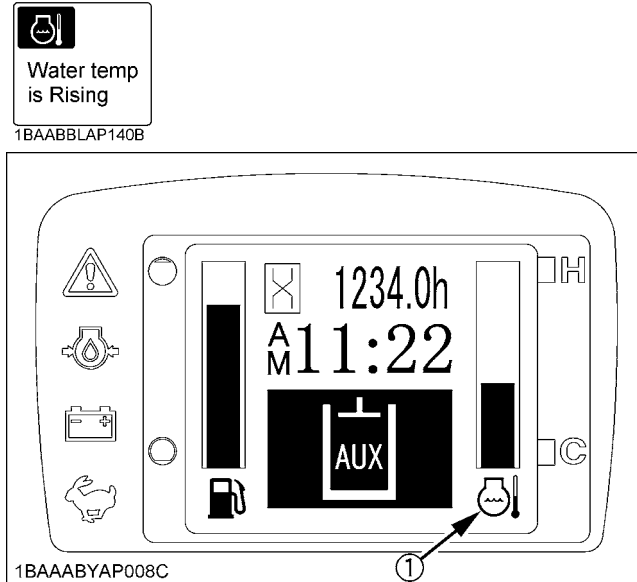
If the coolant temperature indicator is near "H", take the steps below.

Depending on the coolant temperature, the warning message "Water temp is rising" or "Overheat Engine to idle for cooling" appears. In either case too, follow the same procedure below.

1. Discontinue the job.
2. Reduce engine rpm's to idle and keep it at idle for 5 minutes.
3. Stop the engine and check the following points (1)-(4).
 - (1) Low coolant level or leak
 - (2) Fan belt tension
 - (3) Mud or dust deposits on radiator
 - (4) Hydraulic oil leak

◆ **Overheat warning**

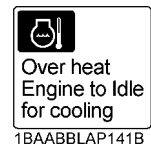
1. If the coolant temperature becomes too high, the message **"Water temp is Rising"** appears onscreen for a certain period of time. The LCD then gets back to normal, but the coolant temperature sensor marker "ⓘ" starts blinking at 1-second intervals.



(1) Coolant temperature sensor marker

IMPORTANT :

- If this message is displayed, interrupt the work and lower the engine rpm, which will reduce the coolant temperature.
2. The overheat warning appears onscreen. Also the following message shows up on the LCD, and the engine automatically starts idling. (Acceleration is not operative.)



If the above message appears, take corrective measures, referring to the **"Precautions in case of Overheat"** section.

NOTE :

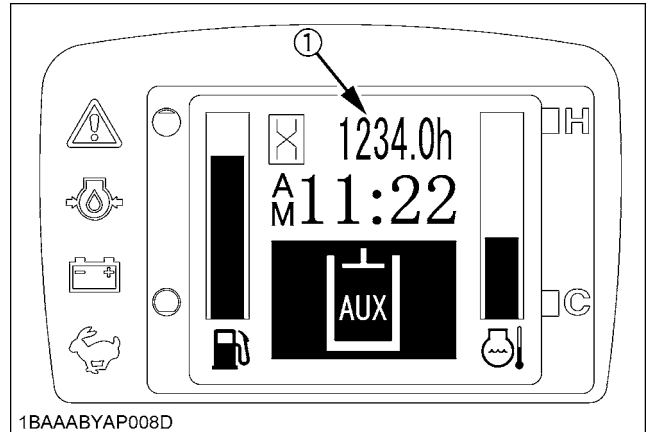
- When the coolant temperature has dropped, acceleration can be automatically enabled.

◆ **Hour-meter**

Indicates the total operating hours of the machine.

How the indicator works

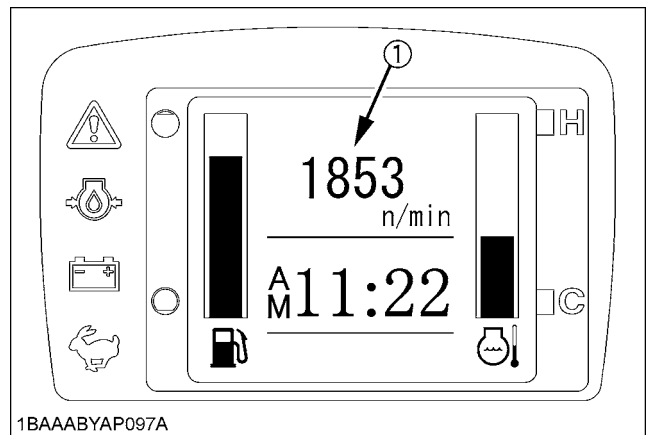
- The meter advances one hour after an hour of operation regardless of the engine rpm.



(1) Hour-meter

◆ **Engine tachometer**

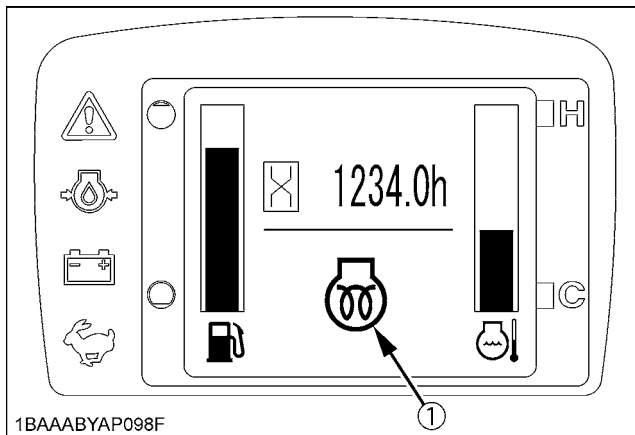
Indicates the current rpm of the engine.



(1) Engine tachometer

◆ Glow indicator

The indicator is displayed when the starter key is turned to the "RUN" position but the engine requires preheating. Wait until the indicator goes out, and then start the engine.



(1) Glow indicator

■ Warning Lamp

The warning lamp is used to indicate broken wire, short-circuit, fuel shortage and other problems.

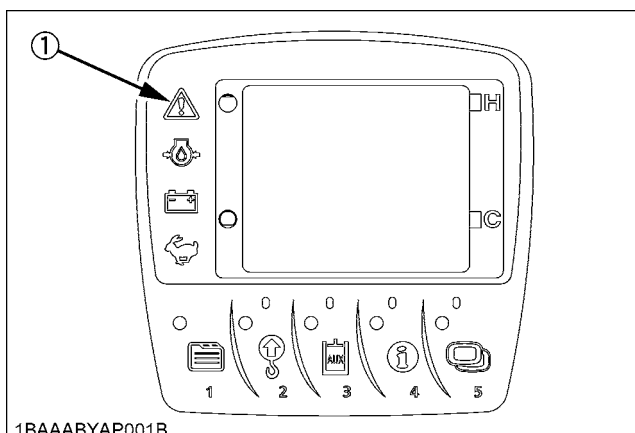
The warning lamp starts flashing in red if any problem occurs. If the system senses a warning signal, the warning lamp starts flashing in yellow.

IMPORTANT :

- If the warning illuminates, do not just look at the meter; carry out the appropriate inspection and correction accordingly. (See "**REGULAR CHECKS AND MAINTENANCE WORK**" section)

NOTE :


- If any warnings and problems are displayed, an alarm buzzer will beep. (See "**LIST OF SCREENS**" section for detail.)
- Consult your local KUBOTA dealer for details concerning care and maintenance.



(1) Warning lamp (red, yellow)

■ LCD for Warning

◆ Remaining fuel warning

When the fuel level is very low, the  lamp (yellow) starts flashing and the following message appears in the display.

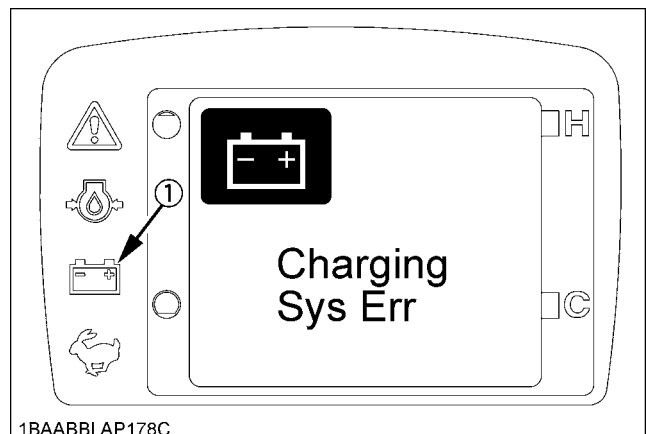


NOTE :

- After a short period of time, the display comes back to normal.
- After a short period of time, the message shows up again.
- Even while in the normal display mode, the warning lamp keeps on blinking.
- To see what warning is being given out, press the display selector switch. The current warning can then be identified.


◆ Battery charge warning

If the starter key is turned to the "RUN" position without starting the engine, and the charging lamp stays off, the charging system has failed. If such occurs, immediately contact your local dealer for repair.

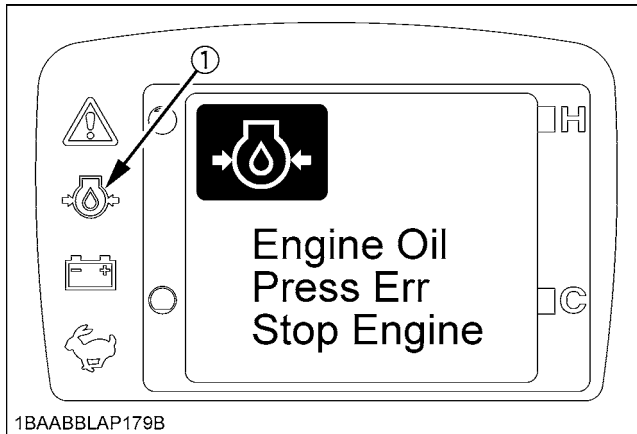


(1) Charging lamp

◆ Engine oil pressure low warning

When the engine oil pressure drops too low, the  lamp (red) starts flashing and the following message appears in the display.

Immediately stop the engine and check the engine oil level.



(1) Oil lamp

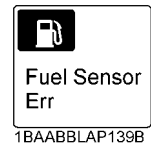
NOTE :

- If the starter key is turned to the "RUN" position without running the engine and the oil lamp stays off, then the hydraulic system may have failed. If such occurs, immediately contact your local dealer for repair.

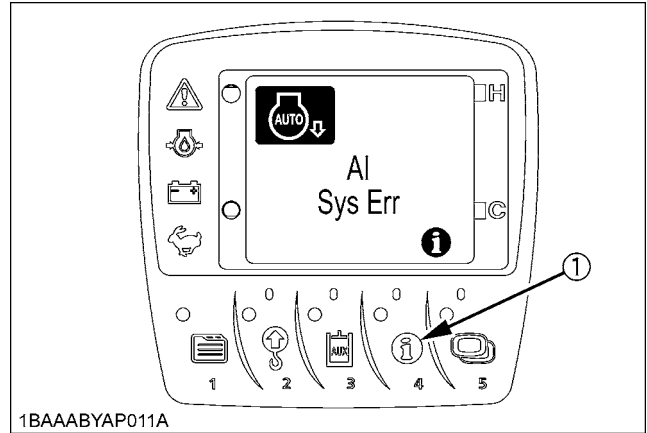
◆ Various error warnings

If any components are detected to be in trouble, the following message or similar appears onscreen. (See "LIST OF SCREENS" section)


For Example;



◆ Information



(1) Information switch

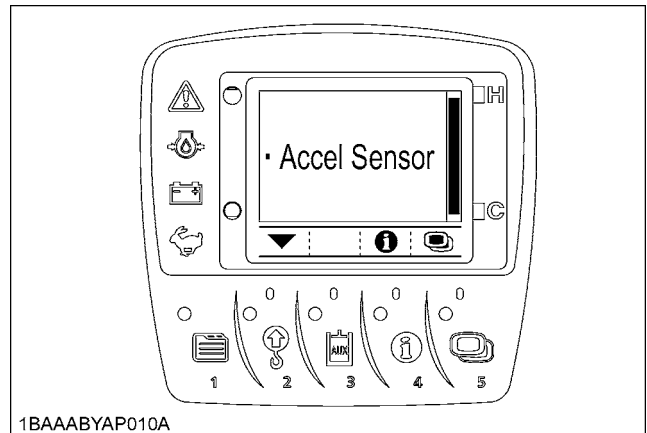
A " mark" may appear together with a warning message.

If such occurs, the details can be checked by pressing the information switch.

When contacting your local dealer for repair, notify them of the information provided.

For Example;

Press the information switch, and a detail such as shown below appears.



NOTE :

- Press the information switch again, and the display goes back to the previous screen.

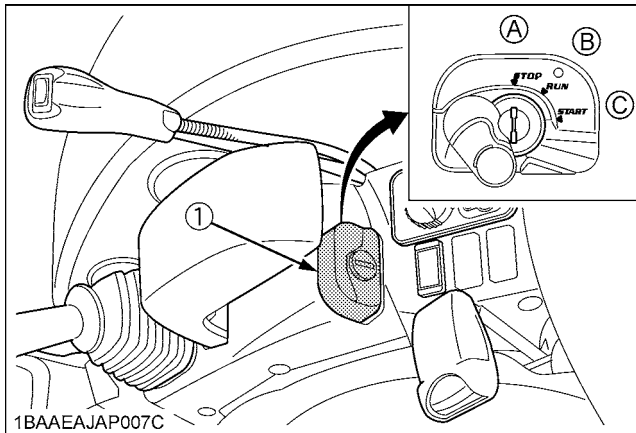
User settings

NOTE :

- If you have any question, consult your local KUBOTA Dealer.

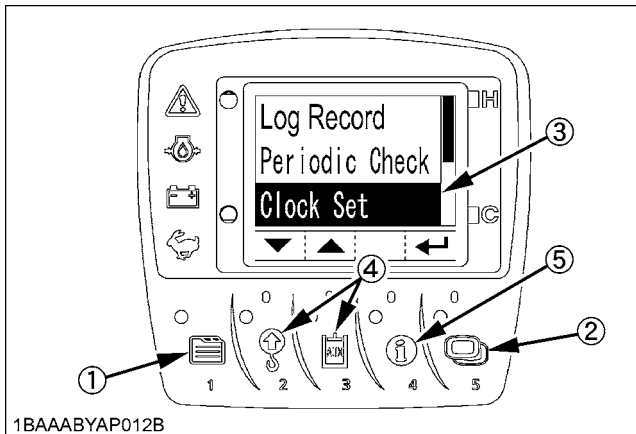
■ Setting the Clock

1. Turn the starter key to the "RUN" position.



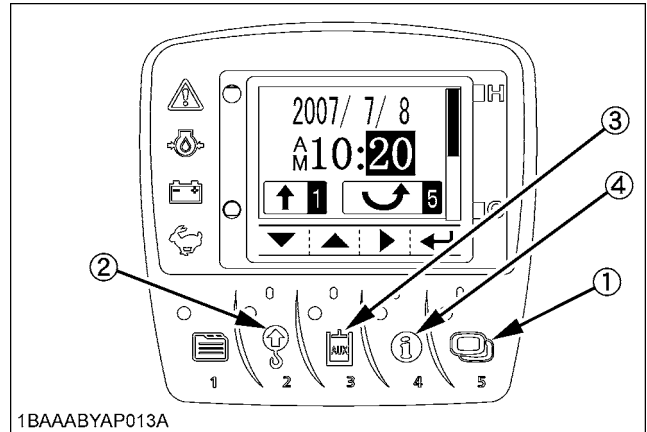
- (1) Starter switch
 (A) STOP
 (B) RUN
 (C) START

2. Press the switch 1 to make the log record/periodic check/clock set screen appear.



- (1) Switch 1
 (2) Switch 5
 (3) Cursor
 (4) Switch 2 and 3
 (5) Switch 4

3. Press the switch 2 twice to move the cursor into position. Then press the save switch 5 to make the following screen appear. By pressing the switch 4, the year, month, day, hour and minute will be selected in this order. Select an item to readjust.



- (1) Switch 5
 (2) Switch 2
 (3) Switch 3
 (4) Switch 4

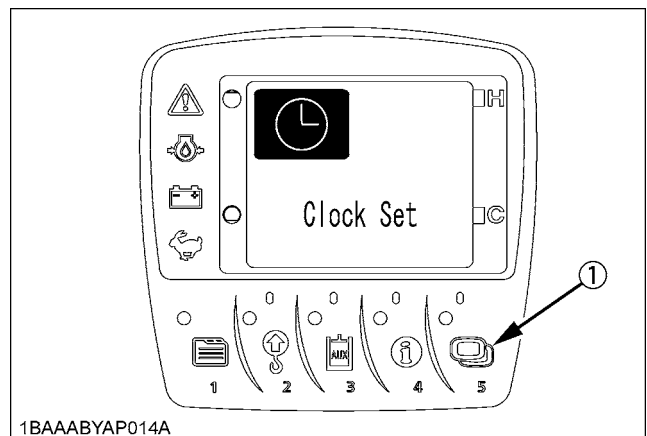
Press the ▼ switch (Switch 2) and the numeric setting will be smaller.

Press the ▲ switch (Switch 3) and the numeric setting will be larger.

Hold down the ▼ or ▲ switch, and the numeric setting will change quickly.

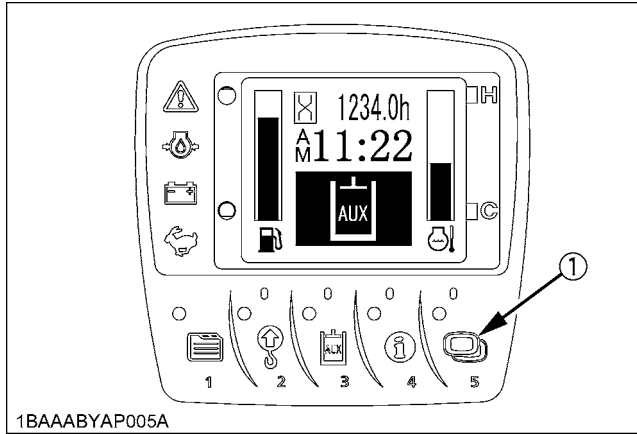
Press the ► switch (Switch 4), and the year, month, day, hour and minute will be selected in this order.

4. Save the new setting with the ← switch (Switch 5). Press this switch 5 again to set the clock.



- (1) Switch 5

[Status after setting the clock]

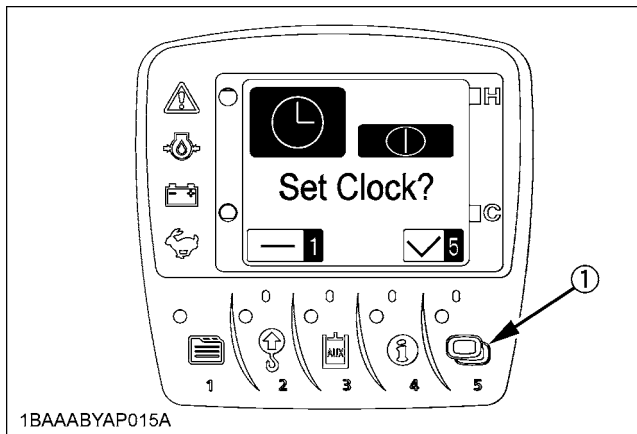


1BAAABYAP005A

(1) Switch 5

IMPORTANT :

- Be careful not to accidentally press the switch 5 on the clock setting screen. Otherwise the seconds will be set to "00" and the clock will show the wrong time.
- If the clock is interrupted, for example when the battery is disconnected, the following message appears onscreen. Press the switch 5 to set the clock again.



1BAAABYAP015A

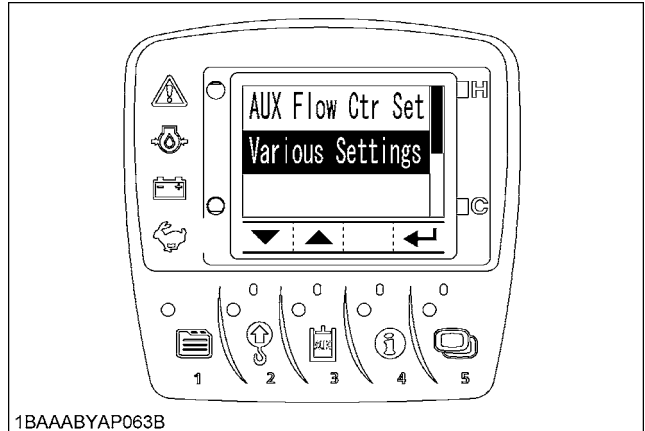
(1) Switch 5

NOTE :

- When the user setting switch (Switch 1) is pressed on the clock setting screen, the clock is not readjusted and returns to the previous menu screen.

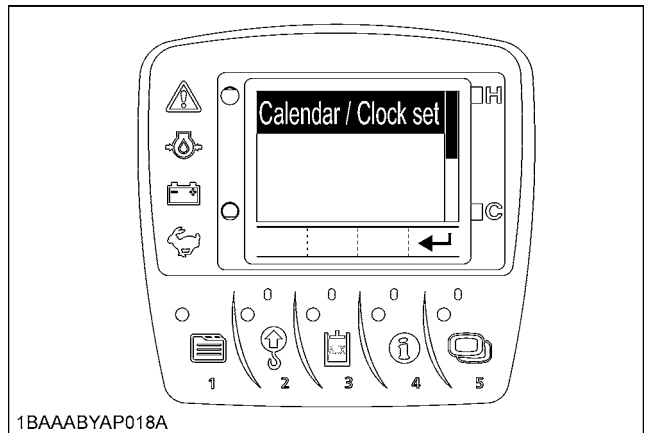
Reordering the year/month/day and Changing the AM/PM System to the 24-hour One

1. On the user setting screen, select "Various Settings".



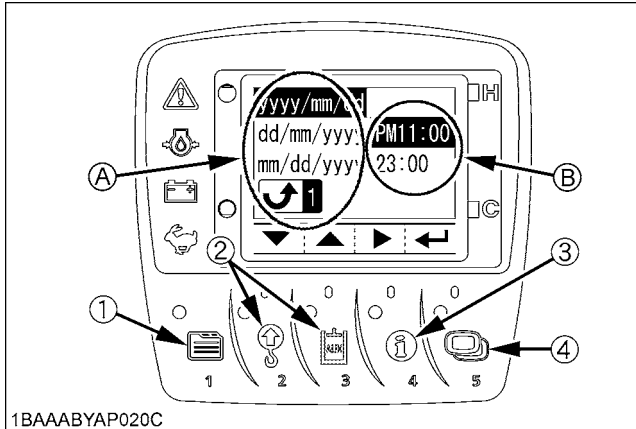
1BAAABYAP063B

2. Select "Calendar/Clock Set" menu screen.



1BAAABYAP018A

- Press the switch 5 and the following detailed screen shows up.



1BAAABYAP020C

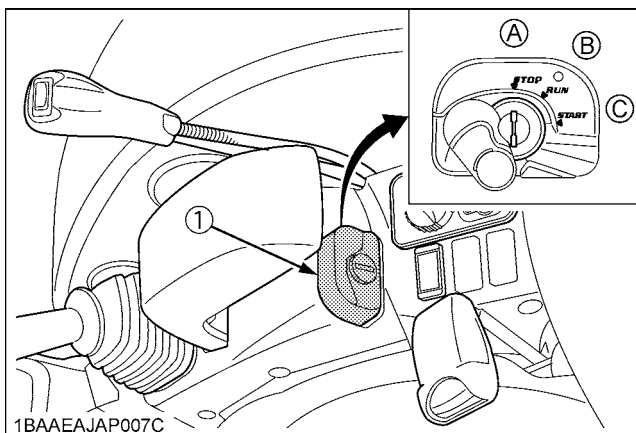
- (1) Switch 1
- (2) Switch 2 and 3
- (3) Switch 4
- (4) Switch 5
- (A) Year/month/day display
- (B) Clock display

- Using the switch 2 and 3, move up and down the items. The year/month/day on Side (A) will be reordered.
- Using the switch 4, move the cursor to Side (B). Select the "AM/PM" system or the "24-hour" system.
- Press the switch 5, and the new settings will be made.
If the switch 1 is pressed, the previous settings will remain.

Log Record

The log record helps you check the last 3-month operating record of the machine. Take the following steps.

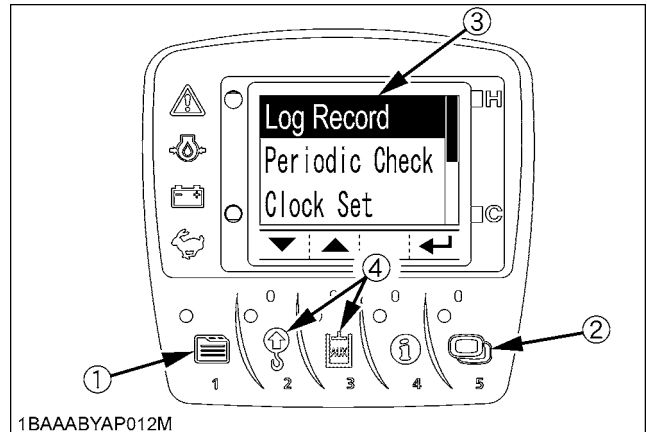
- Set the starter key to the "RUN" position.



1BAAEAJAP007C

- (1) Starter switch
- (A) "STOP"
- (B) "RUN"
- (C) "START"

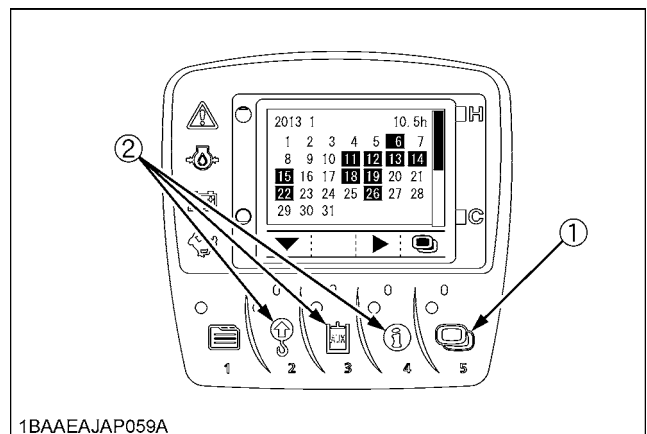
- Press the switch 1 to make the menu appear onscreen.
- Press the switch 2 and 3 to select the log record. Fix this choice with the ← switch (Switch 5).



1BAAABYAP012M

- (1) Switch 1
- (2) Switch 5
- (3) Cursor
- (4) Switch 2 and 3

- Press the switch 5 to make the calendar appear onscreen.
Press the switch 2, and the log records (machine's operating days and operating hours) for the last month and the month before last (90 days ago) can be reviewed.
The highlighted days indicate when the machine was operated.



1BAAEAJAP059A

- (1) Switch 5
- (2) Switch 2, 3 and 4

IMPORTANT :

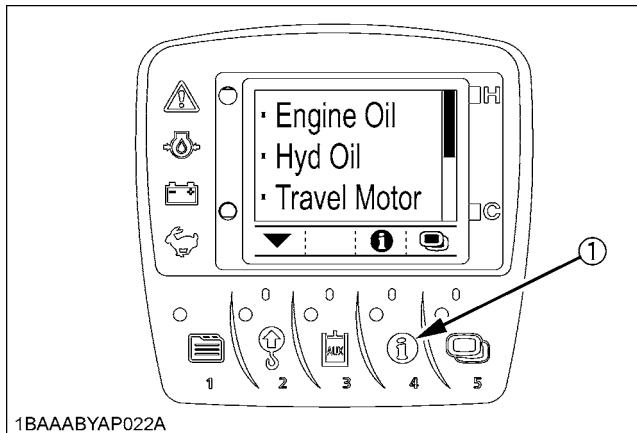
- Some days may appear marked with [-] when the log record is unknown because of a new setting of the clock, a disconnection of the battery or other factors.

■ Periodic Check

The following message appears on the LCD 10 hours before a periodic check.



Press the switch 4 to see the check results.



(1) Switch 4

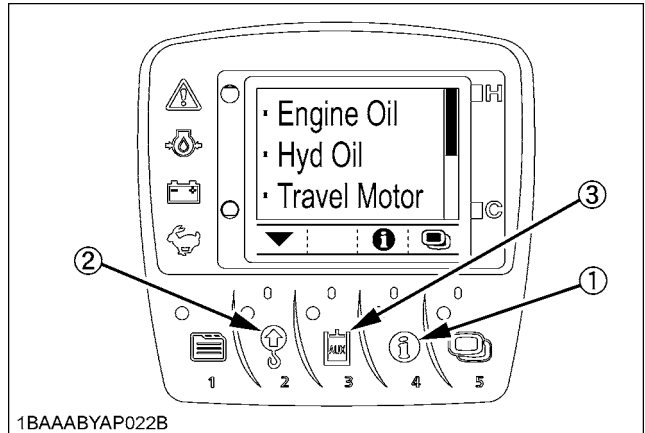
Do the following servicing listed below.

IMPORTANT :

- When the servicing has been completed, turn the key switch ON and OFF 10 times or more and the check screen automatically disappears.
- When the periodic check interval has passed, the message "Periodic Check Passed" shows up. Immediately perform the specified servicing.
- The periodic check screen can also be preset to be made to disappear manually only. To do this, it is necessary to select "Periodic Check" on the user setting menu. For make this setting, contact your local dealer.

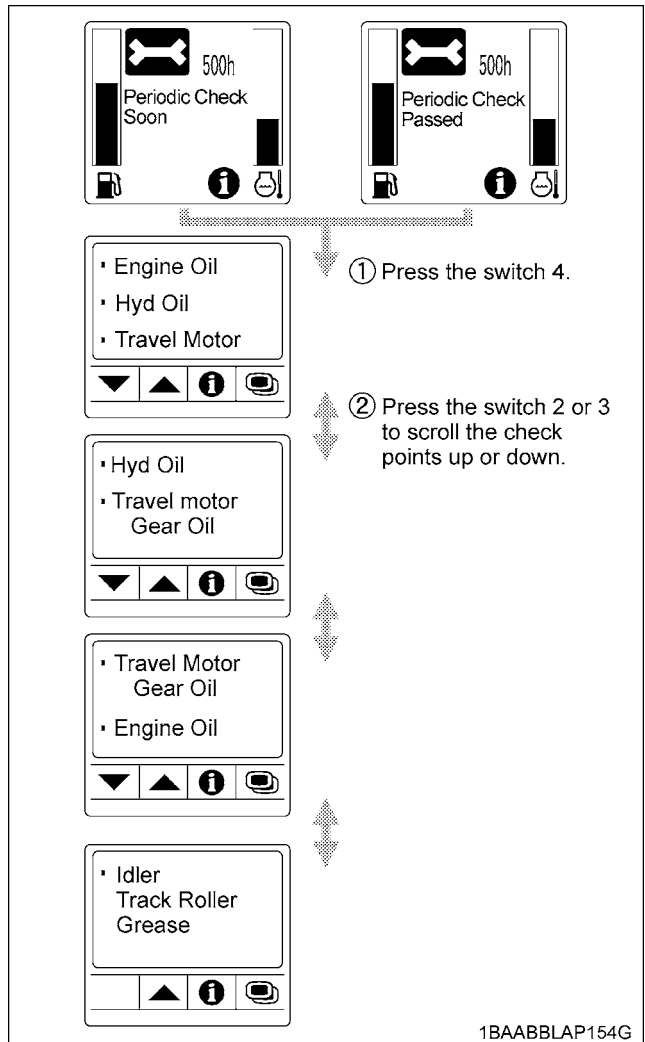
■ If All the Check Points are not Displayed at a Glance on a Single Screen

1. Press the switch 4.
2. Each time the switch 2 or 3 is pressed, the check points scrolled up or down.



(1) Switch 4
(2) Switch 2

(3) Switch 3



◆ **Service hour meter**

When the hour meter reaches the hours circled in the maintenance list below, a message appears. The message shows up as follows.

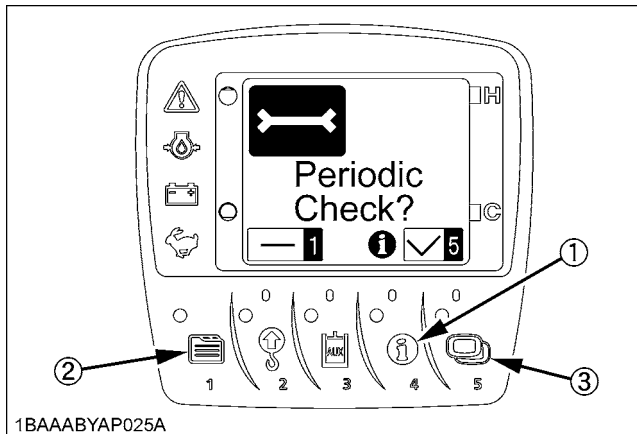
No.	Check points		Measures	Hour meter indicator						Intervals		
				50	100	250	500	600	750		1000	2000
1	Engine oil (CF-4)		change				○			○	○	every 500 hrs or every 1 year
2	Hydraulic oil									○	○	every 1000 hrs
3	Air filter element	Outer element	replace							○	○	every 1000 hrs
		Inner element								○	○	every 1000 hrs
4	Fuel filter						○			○	○	every 500 hrs
5	Engine oil filter						○			○	○	every 500 hrs or every 1 year
6	Drive unit oil		change	●			○			○	○	every 500 hrs
7	Hydraulic return filter element		replace			●	○			○	○	every 500 hrs
8	Hydraulic suction filter element									○	○	every 1000 hrs
9	Pilot filter		replace							○	○	every 1000 hrs
10	Idlor, Track roller, grease		-								○	every 2000 hrs
11	Breather filter		replace				○			○	○	every 500 hrs

● First operation

■ When the Check-up is Completed

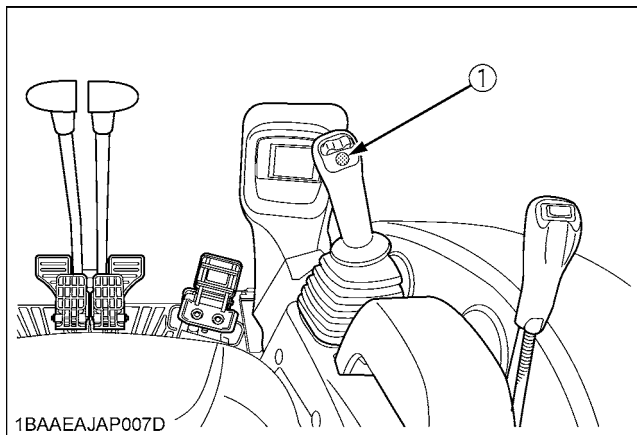
When the check-up is completed, perform the following procedure to make the Periodic Check disappear from the screen.

1. The message below appears onscreen to prompt the completion of the check-up.
2. To take a look at the check points, press the information switch. The check points appear onscreen.
3. When the check-up has been completed, press the switch 5. If not, press the switch 1 to go back to the previous screen.



- (1) Switch 4
- (2) Switch 1
- (3) Switch 5

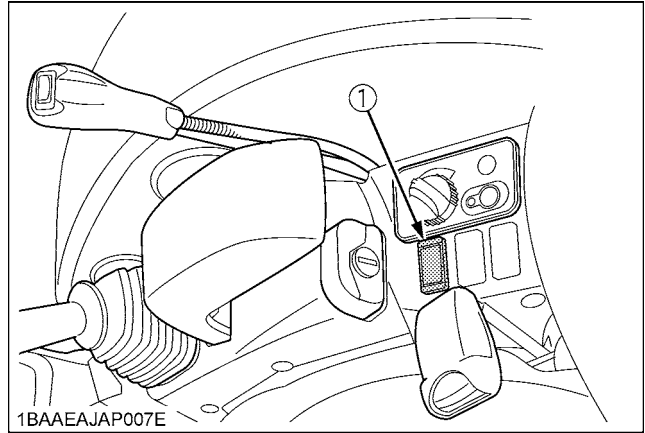
■ Horn Switch



(1) Horn switch

■ Light Switch

When the starter switch is in position "RUN", the working light(s) and CAB light(s) will be switched on by pressing the switch.



(1) Light switch

◆ Night operation



WARNING

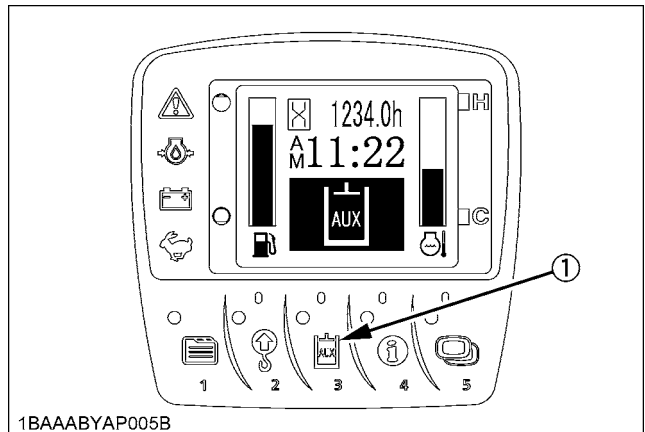
To avoid personal injury or death:

- When the working light and CAB light alone do not provide sufficient visibility, prepare additional stationary artificial lighting and observe safety rules for night work.

■ AUX Port Enable Switch

It is possible to freely readjust the actuator's maximum flow rate in the AUX operating mode.

(See "AUXILIARY PORT OPERATION" section for detail.)

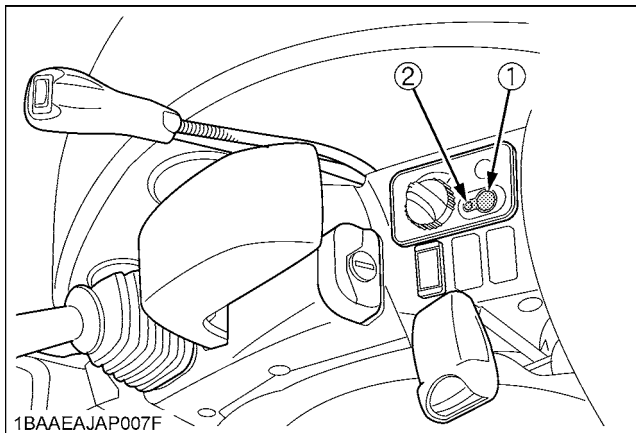


(1) AUX port enable switch

■ Auto Idle Control Switch

The switch is used to enable and disable the auto idle control.

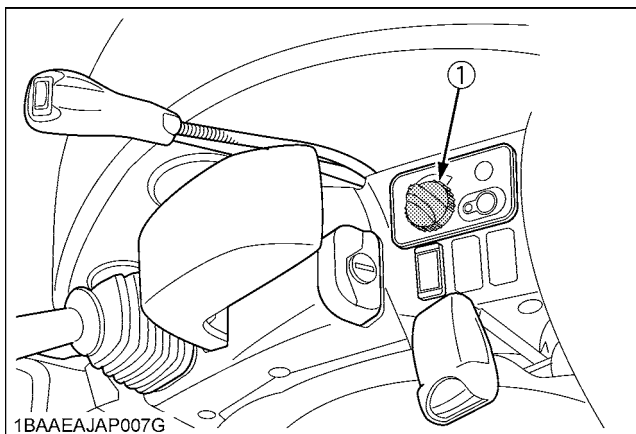
- **Enable:** Press the auto idle control switch. When the auto idle control is on, the auto idle lamp stays on.
- **Disable:** Press the auto idle control switch once again. Now the auto idle control is deactivated (The auto idle lamp goes out.)



- (1) Auto idle control switch
(2) Auto idle lamp

■ Throttle Potentiometer

1. Sit down on the operator's seat and turn the throttle potentiometer clockwise (toward the high speed), and the engine revs up.
2. To stop the engine, turn the throttle potentiometer fully toward the low speed and keep the engine at the idling speed. Then set the starter key to the "STOP" position.





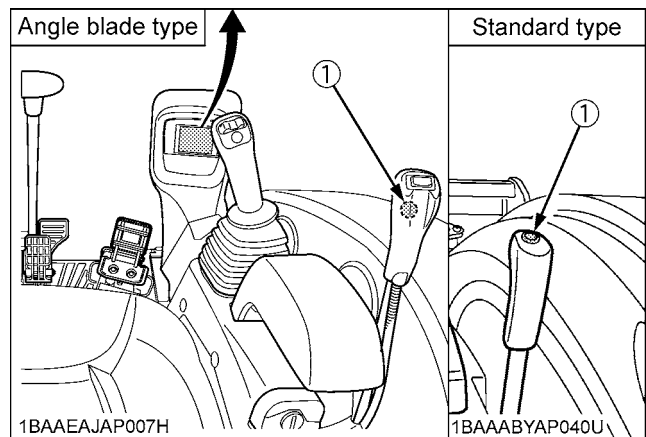
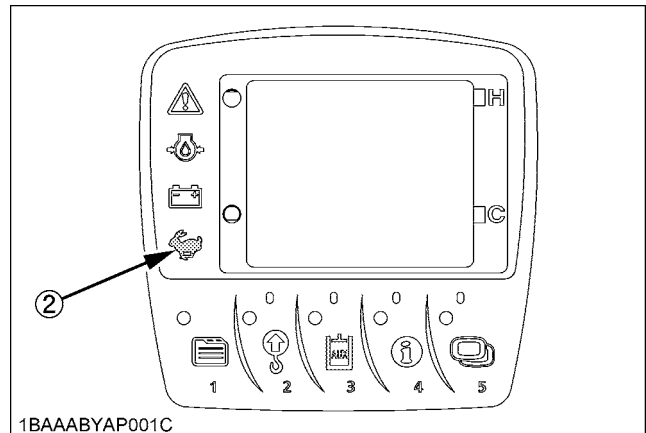
- (1) Throttle potentiometer

■ Travel Speed Switch

Travel speed will increase when this switch is pushed down.

Switching the dual travel speed:

1. Press the travel speed switch. The buzzer beeps twice and the travel speed changes from low to high. The  symbol lights up.
2. Press the travel speed switch again, and the buzzer beeps once and the travel speed changes from high speed to low. The  symbol goes out.



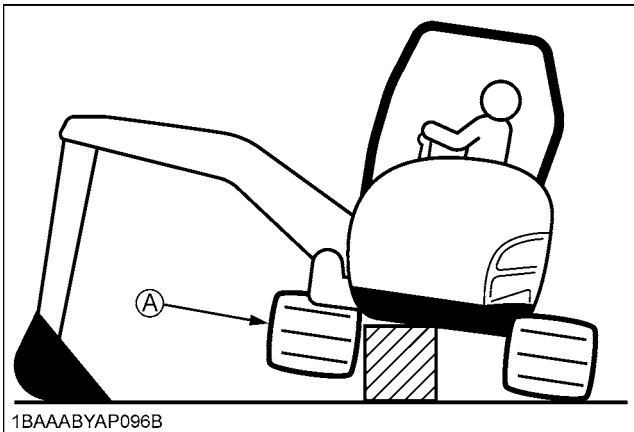
- (1) Travel speed switch
(2) Speed indicator light

NOTE :

- When activating the travel speed switch, it must be pushed down completely.
- Each time the travel speed switch is pressed, the travel speed is switched between low and high.

IMPORTANT :

- The travel speed automatically changes into first speed (low speed) when the drive resistance increases while traveling second speed (high speed). Thereafter, when the resistance decreases, it returns to second speed.
- If the tracks are clogged with sand or gravel while working on soft ground, lift up the track with the help of the boom, arm and bucket and dozer blade, and let the track rotate to remove the sand and gravel.



(A) "Rotate to remove sand and gravel"



WARNING

To avoid personal injury or death:

- Do not push the dozer control lever into the float position as this will cause the machine to suddenly drop.



DANGER

To avoid serious injury or death:

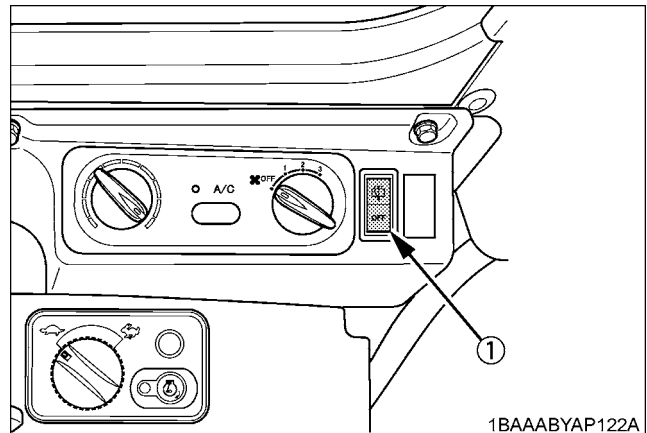
- Do not work under the machine in this condition.

CAB TYPE MACHINES

Wiper/Washer Switch

To engage the wiper, turn on the switch for the wiper when the starter key is in the "RUN" position. A further push on the switch will activate the washer system. Even when the wiper switch is in the "OFF" position, the washer switch functions if it is pressed.

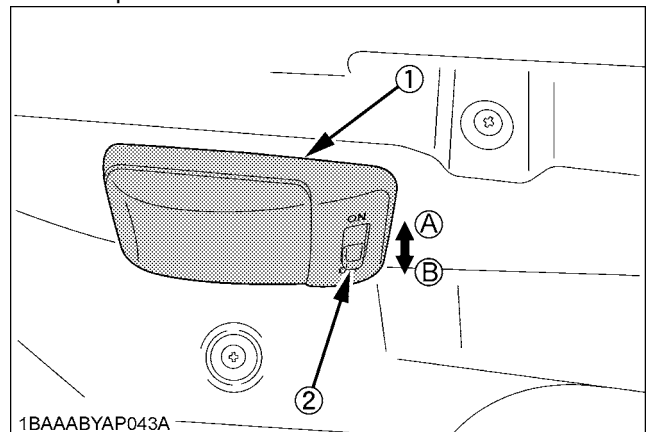
- Do not activate the washer switch if the tank for the cleaning fluid is empty; the pump can be damaged.
- Do not activate the wiper switch if the window is dry. In this case, make sure that cleaning fluid is applied to the pane before activating the wiper.
- In frosty conditions, make sure that the wiper blade is not frozen to the glass before switching-on. The motor can be damaged if the wiper system is used under such conditions.



(1) Wiper switch

Interior Lamp

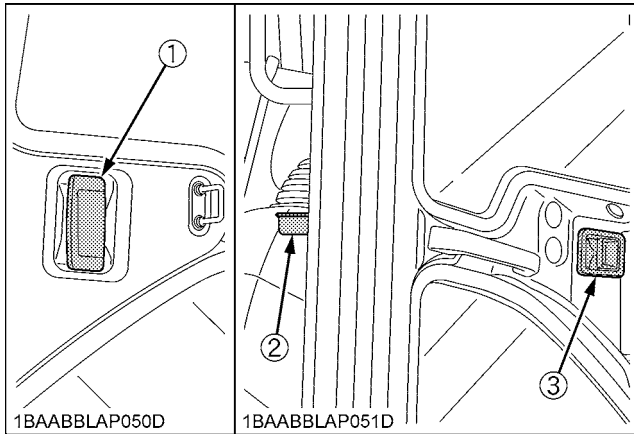
To turn on the interior lamp, set the interior lamp switch to the "ON" positions.



(1) Interior lamp (A) "ON"
(2) Interior lamp switch (B) "OFF"

■ Opening/Closing of CAB Door

1. Unlock the CAB door and pull the knob. Open the CAB door fully until fixed into place.
2. To close the CAB door, push the release lever down and close the door.



- (1) Door knob (outside) (3) Door knob (inside)
(2) Release lever

3. When leaving the excavator, always lock the door.

■ Opening/Closing of Front CAB Window



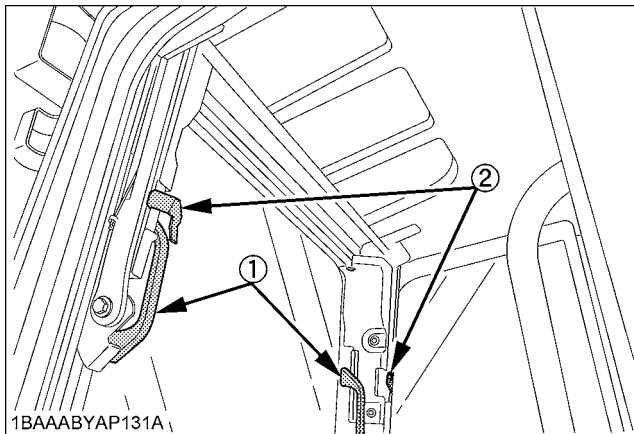
WARNING

To avoid personal injury or death:

- Keep hands and feet away from the area between front window and CAB frame. Otherwise the operator risks serious pinching or crushing injuries.
- Other persons should stay away when opening the window.

To open and close the front window, take the steps below.

1. Push the lock levers beside grip.

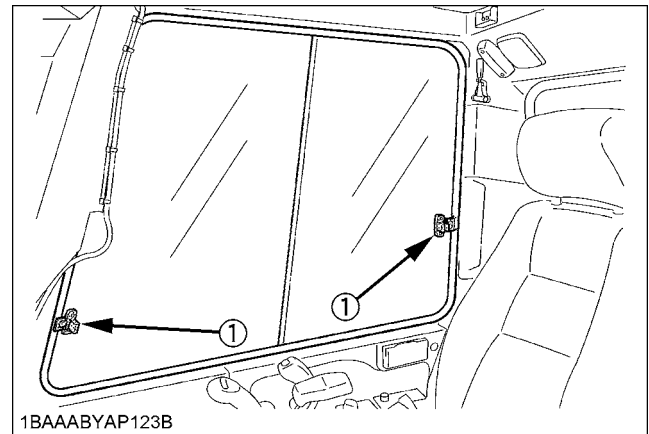


- (1) Grip
(2) Lock lever

2. Hold the grips tightly with both hands. Pull the grip slightly upward and toward yourself to let the windshield slide inward.
3. Pull the windshield all the way to the lock at the back of CAB.
4. To close the window, take the reverse steps 3, 2 and 1.

■ Opening/Closing of Side CAB Window

1. Pull the grip to release the lock and pull side window open to the rear or to the front.
2. To close the side window, slide it forward or backward until the lock snaps in at the window frame.



- (1) Grip

■ Emergency Hammer

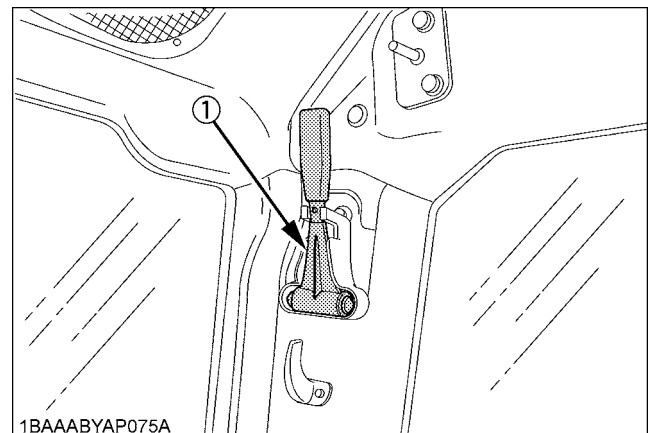


WARNING

To avoid personal injury or death:

- When breaking the window pane, close your eyes and cover them with an arm.

The emergency hammer is for breaking window pane in order to quick escape from the cab, if the window is not open.

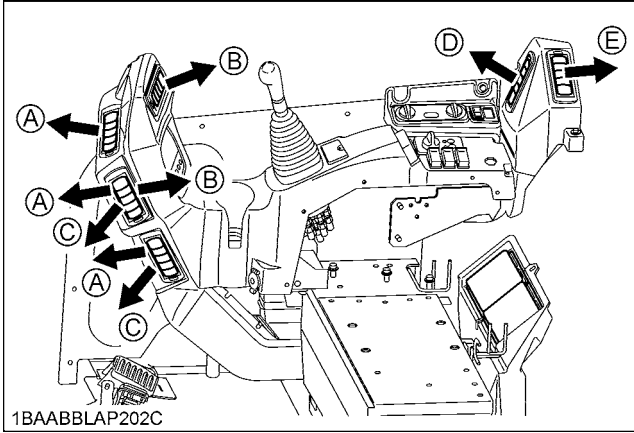


- (1) Emergency hammer

AIR CONDITIONER

■ Air Flow

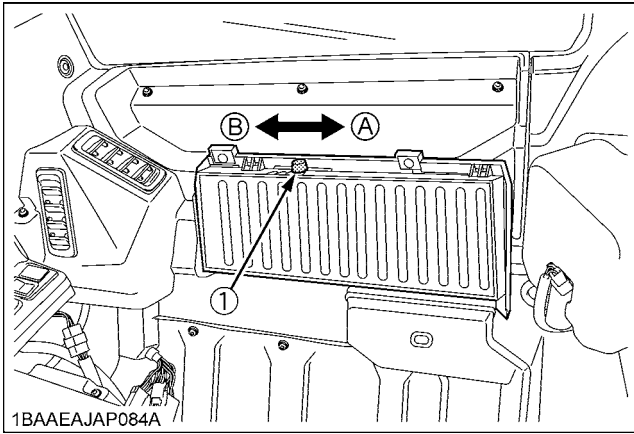
Air in the CAB and fresh air introduced into the CAB flow as shown in the figure. Adjust the five air outlet ports to obtain the desired condition.



1BAABBLAP202C

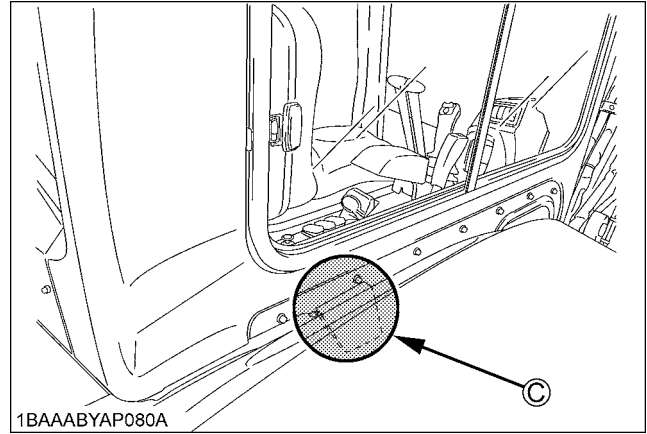
- (A) "FRONT WINDOW"
- (B) "CHEST AREA"
- (C) "FOOT AREA"
- (D) "SIDE WINDOW"
- (E) "BACKWARD"

Position the inlet selector lever to the desired position.



1BAAEA JAP084A

- (1) Inlet selector lever (A) "FRESH AIR INLET" position
- (B) "INNER AIR RECIRCULATION" position



1BAAABYAP080A

(C) "FRESH AIR INLET"

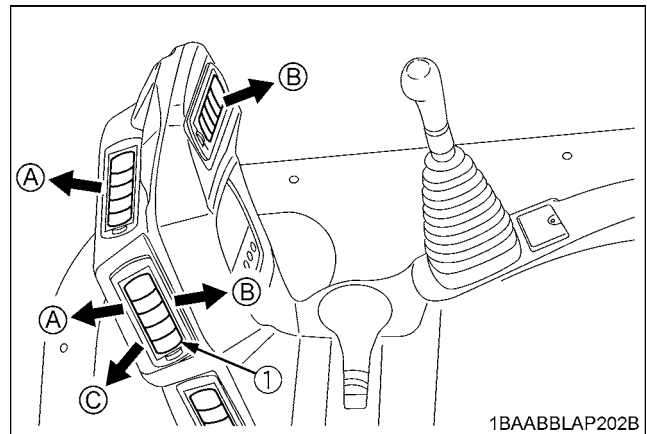
IMPORTANT :

- Do not allow water to enter the fresh air port while washing the excavator.

■ Air Control Vent

◆ Front air outlet

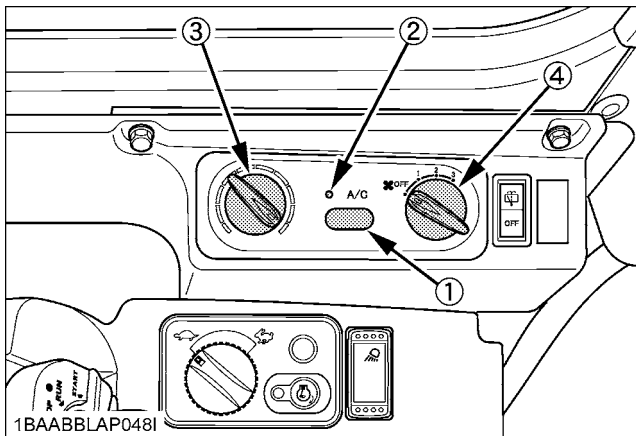
The front air outlets can be independently adjusted as required. To defrost the windshield, rotate the outlets toward the windshield.



1BAABBLAP202B

- (1) Front air outlet
- (A) "FRONT WINDOW"
- (B) "CLOSED"
- (C) "FOOT AREA"

Control Panel



- (1) Air conditioner switch (3) Temperature control dial
(2) Indicator light (4) Blower switch

◆ Air Conditioner Switch and Indicator Light

Push this switch to activate the air conditioner. An indicator light will light up when the switch is set to "ON". Push switch again to turn air conditioner off, the indicator light will go off.

◆ Temperature Control Dial

Set this dial at the desired position to obtain the desired air temperature. Turn the dial to the right to obtain cooler air. Turn it to the left to obtain warmer air.

◆ Blower Switch

Air volume can be changed in three steps. At the "3" position, the largest air volume is obtained.

Operation

◆ Heating

1. Adjust the blower (1/2/3) switch and the temperature control dial to achieve the desired temperature level.

◆ Dehumidifying-heating

1. Press and turn on the air-conditioner switch.
2. Turn on the blower (1/2/3) switch.
3. Adjust the temperature control dial to the "COOL" or an intermediate position to achieve the desired temperature level.

NOTE :

- Be sure to close the door while the air conditioner is ON otherwise, you may overload the compressor.

◆ Cooling

1. Press and turn on the air-conditioner switch.
2. Turn on the blower (1/2/3) switch.
3. Adjust the temperature control dial to the "COOL" or an intermediate position to achieve the desired temperature level.

◆ Defrosting or demisting

To defrost or demist the windshield, take the following steps.

1. Open the front air outlet and direct it to the windshield.
2. Set the blower switch and the temperature control dial to the "3" and "WARM" (leftmost) positions, respectively.

HANDLING THE SAFETY DEVICES

◆ Pilot Control Lock Lever

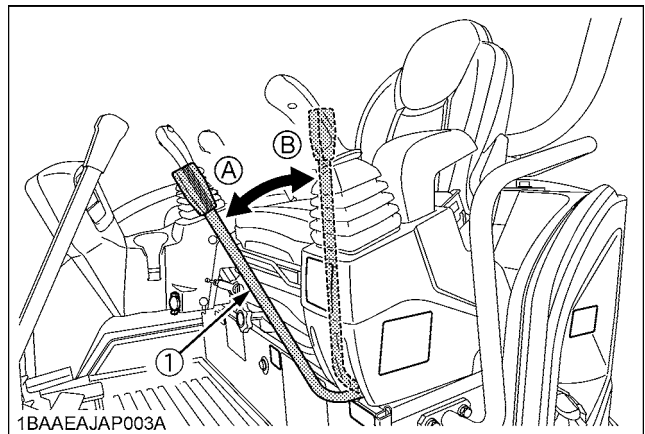


WARNING

To avoid personal injury or death:

- When the excavator is not used or left unattended, be sure to place the pilot control lock lever in position "LOCKED".

The pilot control lock lever is located on the left side.



(1) Pilot control lock lever

(A) "UNLOCK"
(B) "LOCKED"

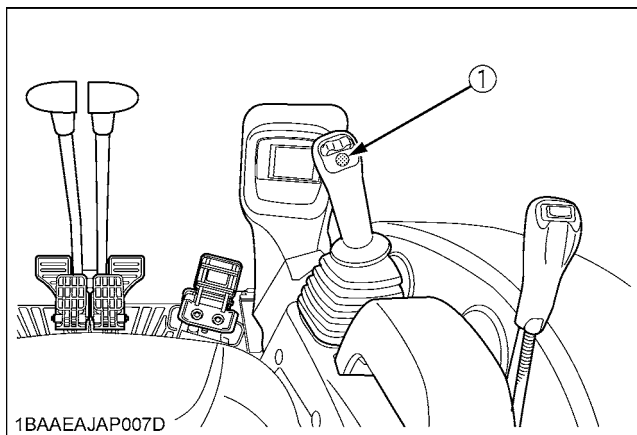
OPERATION OF THE ENGINE



WARNING

To avoid personal injury or death:

- Read "SAFE OPERATION" at the beginning of this operator's manual.
- Obey the danger, warning and caution labels on the excavator.
- To avoid the danger of exhaust fume (carbon monoxide) poisoning, do not operate the machine in a closed building without proper ventilation.
- Always start the engine from the operator's seat. Do not start the engine while standing next to the excavator. Before starting the engine, sound the horn to get the attention of persons standing nearby.



1BAAEAJP007D

(1) Horn switch

IMPORTANT :

- Do not use starting fluid or ether.
- In order not to overload the battery and starter, avoid engaging the starter for more than 10 sec.
- If the engine does not start in 10 sec., please wait 20 sec. or more, before attempting to restart.

STARTING THE ENGINE



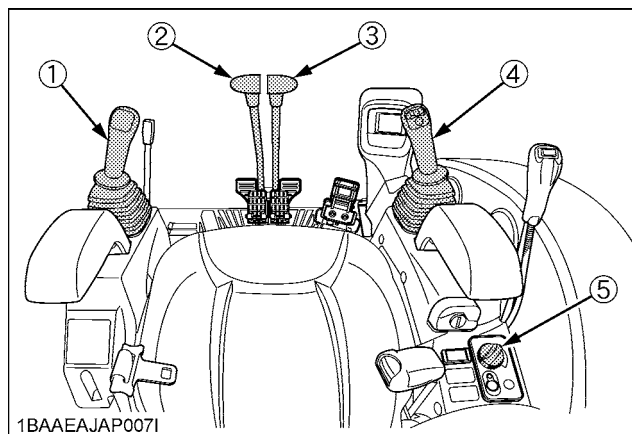
WARNING

To avoid personal injury or death:

- The operator should not depend solely on the warning lamps, but should always conduct the routine checks (see "MAINTENANCE").

Start the engine in the following manner:

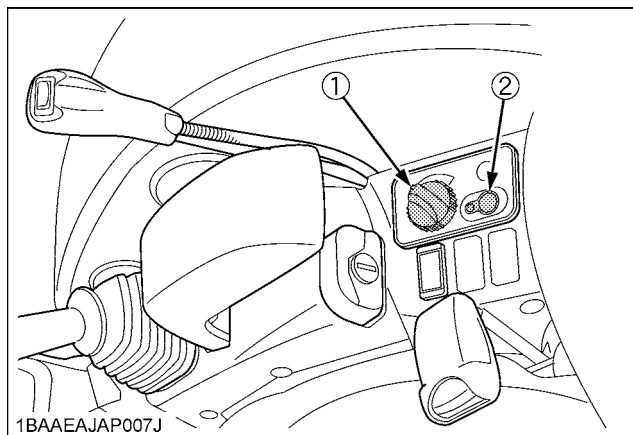
1. Before starting the engine, make sure that all control levers are in the neutral positions.



1BAAEAJP007I

- (1) Attachment control lever (left)
- (2) Drive lever (left)
- (3) Drive lever (right)
- (4) Attachment control lever (right)
- (5) Throttle potentiometer

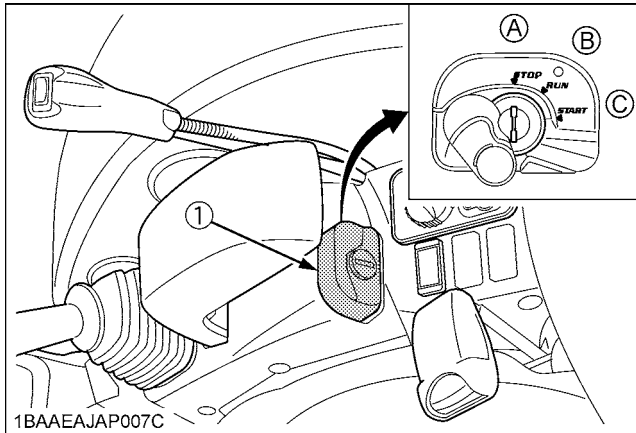
2. Pull the pilot control lock lever all the way back. ("LOCKED" position)
3. Put the throttle potentiometer in the middle between "🐷" and "🐷" symbols. The auto idle control switch is in the OFF position. (See "AUTO IDLE (AI) OPERATION" in the Excavator operation.)



1BAAEAJP007J

- (1) Throttle potentiometer
- (2) Auto idle control switch

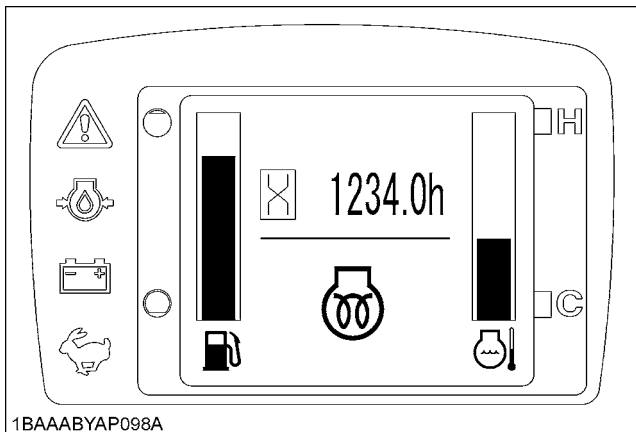
4. Set the starter key to the "RUN" position. Hold the key at this position until the "00" mark on the display panel disappears.



1BAAEA JAP007C

(1) Starter switch

(A) "STOP"
 (B) "RUN"
 (C) "START"



1BAAABYAP098A

5. Now make sure the "⚠" and "⚡" marks appear onscreen. If not, the system has malfunctioned. Contact your local dealer for repairs.
6. Turn the key to the position "START" and release after the engine has started.
7. Check if all warning lamps have gone out. Should a warning lamp still be lit up, stop the engine then remove the key and check for the cause.

IMPORTANT :

- The starter motor draws a large current. Avoid running it longer than 10 seconds continuously. If the engine fails to start within 10 seconds, set the key to the "STOP" position, wait for 20 seconds or longer, and repeat the above steps 5 thru 7.
- If the battery is dead and must be connected to another battery with jumper cable, be sure to use a 12V battery. Never use 24V batteries.

NOTE :

- If you keep the pilot control lock lever at "UNLOCK" and try to start the engine, "Up Lever Lock" appears on the meter panel and the engine cannot be started. Before starting the engine, make sure the pilot control lock lever is set at the "LOCKED" position.



- When the engine starts, the meter may momentarily turn off and a beep may sound. This is not a problem.

STARTING THE ENGINE UNDER COLD CONDITIONS**WARNING**

To avoid personal injury or death:

- Make sure that the pilot control lock lever is in the "LOCKED" position during warm up.

Start the engine in the following manner;

1. Make sure the auto idle control switch is at the "OFF" position (lamp off).
2. Pull the pilot control lock lever all the way back. ("LOCKED" position)
3. Insert the starter key into the starter switch.
4. Turn the throttle potentiometer toward "⚡" (high speed) position.
5. Set the starter key to the "RUN" position. Hold the key at this position until the "00" mark on the display panel disappears.
6. Turn the starter key to the "START" position.
7. Once the engine starts, release your hand from the key. The key will return back to the "RUN" position.
8. If the engine fails to start, set the starter key to the "STOP" position, and repeat the above steps 5 thru 7.

IMPORTANT :

- Let the engine warm up after start-up for approx. 10 minutes under no load conditions. If the hydraulic fluid temperature is too low, the operation will be affected. Do not operate the excavator under full load until the engine has sufficiently warmed up.

STARTING WITH AN AUXILIARY BATTERY



WARNING

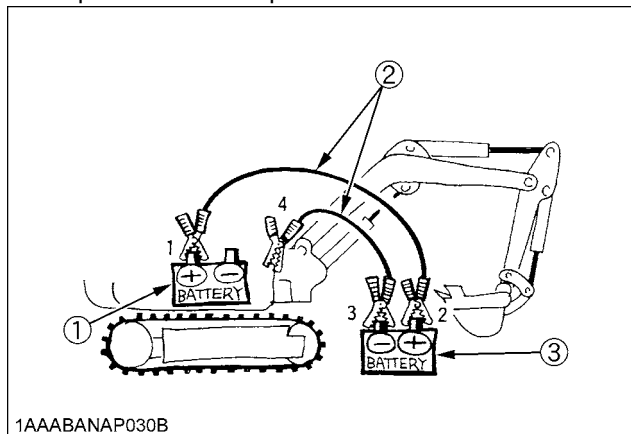
To avoid personal injury or death:

- Battery gases can explode.
Do not smoke and keep sparks and flames away.
- Do not start the engine with an auxiliary battery if excavator battery is frozen.
- Do not connect the black jumper cable to the negative (-) terminal of the excavator battery.

■ Observe Following Guidelines when Starting with an Auxiliary Battery

1. Bring the helping machine with the same battery voltage as near as possible to the excavator.
THE MACHINES MUST NOT COME IN CONTACT WITH EACH OTHER.
2. Bring the levers and pedal of both vehicles in the neutral position and put the pilot control lock lever in the "LOCKED" position.
3. Wear eye protection and rubber gloves.
4. Open the side cover. (See "Opening / closing of the Side Cover" in "MAINTENANCE" section.)
5. Ensure the vent caps are securely in place (if equipped).
6. Connect the terminal of the red jumper cable with the plus (+) terminal of the low battery and connect the other end of the cable to the plus (+) terminal of the auxiliary battery.
7. Connect the black negative cable to the minus (-) terminal of the auxiliary battery.
8. Connect the other end of the black cable (coming from the auxiliary battery) to the excavator frame as far away as possible from the low battery.
9. Start the engine of the helping machine and let it run for a while. Start the excavator with the low battery.
10. Disconnect the jumper cables in the reverse sequence (Steps 8, 7, 6).

11. Replace the vent caps.



1AAABANAP030B

- (1) Low battery
- (2) Jumper cables
- (3) Auxiliary battery

IMPORTANT :

- This excavator has a negative (-) ground 12 Volt starting system.
- Use only the same voltage when using an auxiliary battery.
- Using a higher voltage will cause serious damage to the electrical system. When using an auxiliary battery, only the compatible (same) voltage is permissible.

CHECK POINTS AFTER STARTING THE ENGINE

After starting the engine, but before starting operation, check the following points:

1. Put the throttle potentiometer in the middle between "🐢" and "🐇" symbols and let the engine idle for approx. five minutes. This allows the engine lubricant to warm up and penetrate every part of the engine.
2. Once the engine has warmed up, check:
 - the warning lamp "Engine oil pressure" has gone out.
 - the warning lamp "Battery charge" goes out when engine speed is increased.
 - the color of the exhaust is normal and no abnormal noises or vibrations are heard or felt.
 - no fluid is leaking from pipes or hoses.

◆ Should any following conditions occur, stop the engine immediately.

- The engine rpm's increases or decreases suddenly.
- Sudden abnormal noises are heard.
- Exhaust is black.
- Warning lamp for engine oil lights up during operation.

IMPORTANT :

- In these cases, the excavator must be checked and serviced by your local the KUBOTA dealer.

STOPPING THE ENGINE



WARNING

To avoid personal injury or death:

- Do not keep the bucket or dozer in an elevated position, as a person could accidentally touch the levers and cause serious accidents.

1. Place the bucket and dozer on the ground.
2. After slowing the engine to idle, turn the key to "STOP".
3. Remove the key.
4. Pull the pilot control lock lever to "LOCKED" position.

■ Engine Stop Button



WARNING

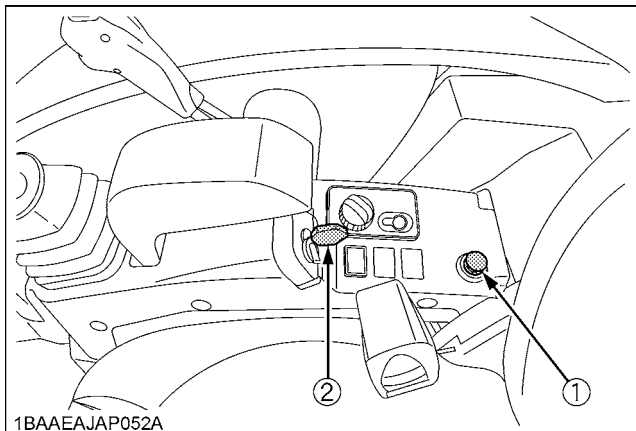
To avoid personal injury or death:

- Keep hands away from rotating parts.

IMPORTANT :

- Be sure to return the stop button to former position after the engine stops.

The engine stops when the starter key is turned off. If the engine does not stop, pull the stop button to stop the engine.



- (1) Stop button
(2) Starter key

■ Precautions in case of Overheat



WARNING

To avoid personal injury or death:

- Do not open the radiator cap during operation or just after shut-down. Otherwise, steam or very hot coolant may gush out, getting you scalded. Make sure the radiator has cooled down enough before opening its cap.

If by any chance the coolant temperature rises close to or above the boiling point ("H" on the water temperature gauge) (overheat condition), take the following steps.

1. Stop operating the machine.
(Relieve the engine of any load.)
2. Do not shut off the engine suddenly. Before shutting off the engine, keep it idling under no load for about 5 minutes.
3. Stay away from the engine or overflow for 10 minutes or until the steam overflow stops.
4. Be sure that there is no danger of getting scalded. Pinpoint and remove the cause of overheat, referring to the "TROUBLESHOOTING" section. Once the issue is resolved, the engine may be restarted.

EXCAVATOR OPERATION

RUNNING-IN OF THE NEW EXCAVATOR

The operation and care of the new excavator influences its life span. Your new excavator has been carefully checked and tested before leaving the factory. In spite of this, all movable components must run-in during the first 50 work hours. Do not work with full rpm's and full loads during this period. It is very important to run-in your excavator properly in order to achieve its full performance and longevity. During the running-in, the following points should be adhered to in all cases.

■ Do not Work with Full Engine Rpm's or Full Loads during the First 50 Working Hours

- Let the engine warm up sufficiently in the cold season.
- Do not let the engine rev-up more than necessary.

■ Oil Change in the Run-in Stage

The lubrication oil plays a specific and important role during the run-in phase of the excavator. The numerous movable parts are not yet run-in, so many fine metal particles are generated, which can cause damage and shorten the life of many components. Pay attention to the oil-change intervals and complete them sooner than later. See "REGULAR CHECKS AND MAINTENANCE WORK" section for more details on the oil-change intervals.

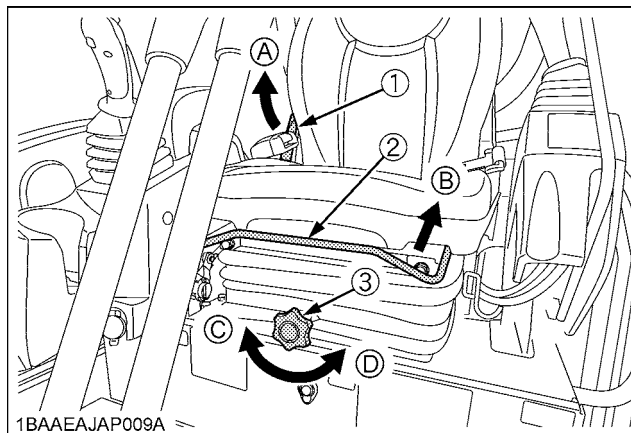
■ Adjusting the Operator's Seat



WARNING

To avoid personal injury or death:

- Make sure that the seat is completely secured after each adjustment.



- | | |
|--------------------------------|---------------------------|
| (1) Backrest tilt adjust lever | (A) "UNLOCK" |
| (2) Travel adjust lever | (B) "UNLOCK" |
| (3) Weight adjust lever | (C) "TO INCREASE TENSION" |
| | (D) "TO DECREASE TENSION" |

◆ Tilt adjustment

Pull the backrest tilt adjust lever in the direction of [A] and move the backrest to the desired angle.

◆ Travel adjustment

Pull the travel adjust lever in the direction of [B] and slide the seat backward or forward, as required. The seat will lock in position when the lever is released.

◆ Weight adjustment

Turn the weight adjust lever to achieve the optimum suspension setting.

◆ Height adjustment

The seat height can be adjusted to three positions. To adjust the seat height, slowly raise the seat until it automatically engages in the next stop.

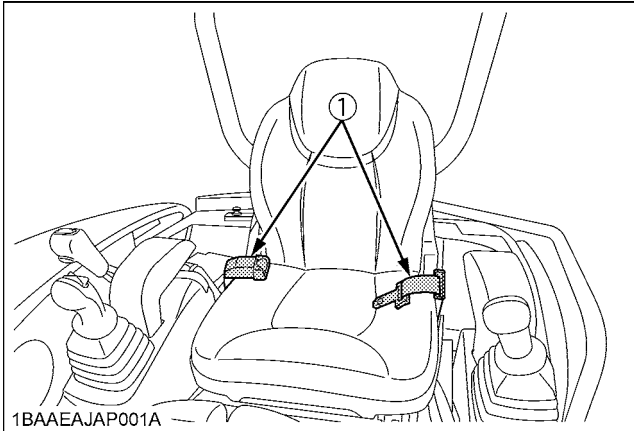
When the seat is raised over the highest stop, it will be lowered automatically to the lowest position again.

■ Seat Belt

WARNING

To avoid personal injury or death:

- Always use the seat belt with a ROPS/OPG (Top Guard Level I) protection structure. Adjust the seat to the optimal position and buckle up.



(1) Seat belt

STARTING

WARNING

To avoid personal injury or death:

- No persons, other than those who have read and understand this manual and who are familiar with the excavator, should be allowed to use the excavator.
- Do not allow any person other than the operator to ride on the excavator.
- When operating, keep hands and body inside of the ROPS/OPG (Top Guard Level I) protective.
- Do not touch the control levers and the pedals from outside the cab while the engine running.

■ Pilot Control Lock Lever

WARNING

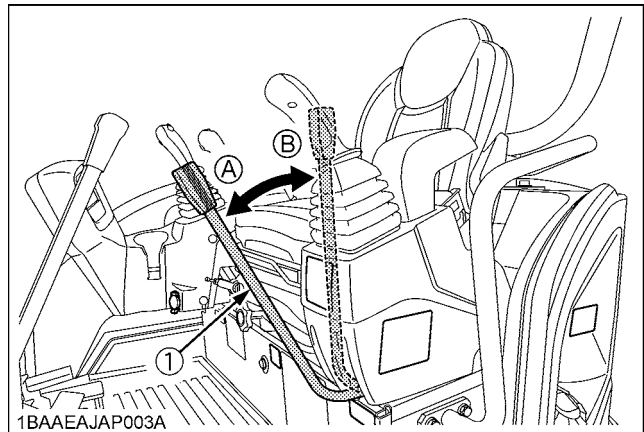
To avoid personal injury or death:

- To avoid injuries, check safety aspects all around the excavator.

NOTE :

- If the pilot control lock lever is pulled down, the engine will fail to start.

Don't attempt to start the machine with the pilot control lock lever in the down position (A), if attempt is made the following message appears on the LCD.



(1) Pilot control lock lever

(A) "UNLOCK"

(B) "LOCKED"

IMPORTANT :

- Always pull pilot control lock lever up to "LOCKED" position (B) when you stop the engine or leave the operating structure.

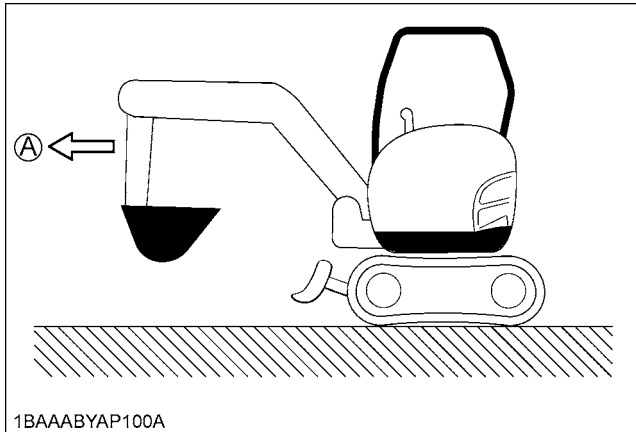
DRIVING



WARNING

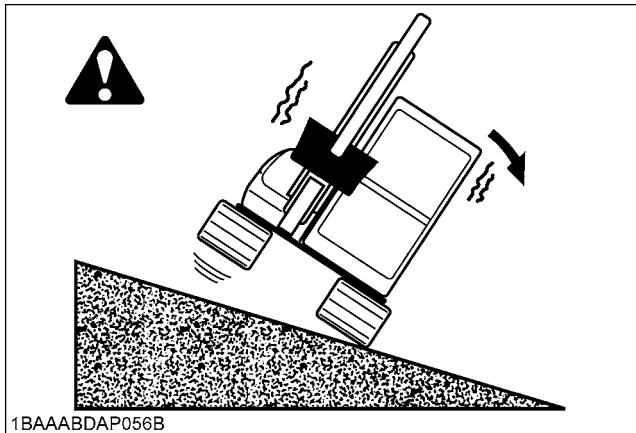
To avoid personal injury or death:

- Before starting the engine, make sure that no one is near the excavator.
- Before operating the excavator, check the track direction. (Front idler and dozer blade to the front of the excavator).

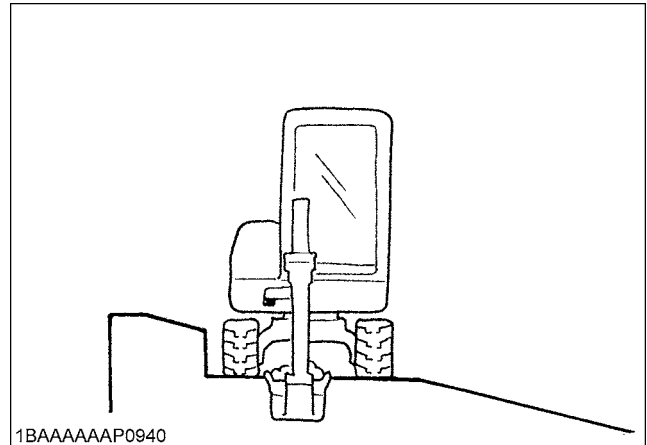


(A) "Front of the excavator"

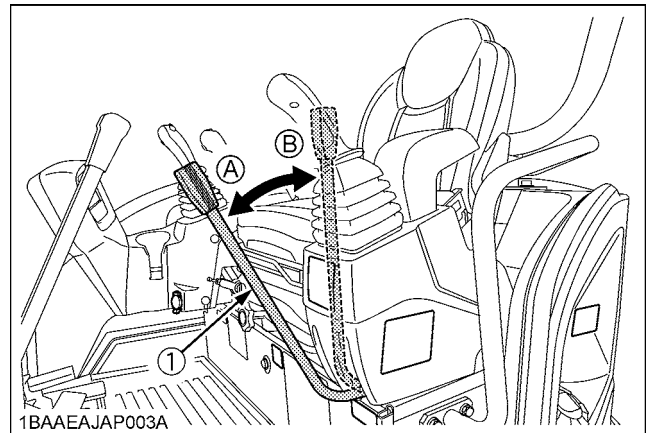
- Use extra caution when traveling across a slope or working sideways on a slope.



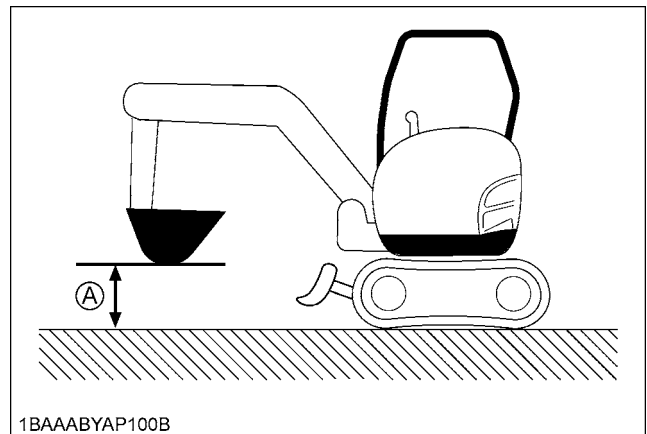
- Recommended technique for working on a slope.



1. Adjust the engine speed from idling to an intermediate speed.
2. Unlock the pilot control lock lever and pull in the bucket and hold the bucket about 20 to 40 cm (8 to 16 in.) above the ground.

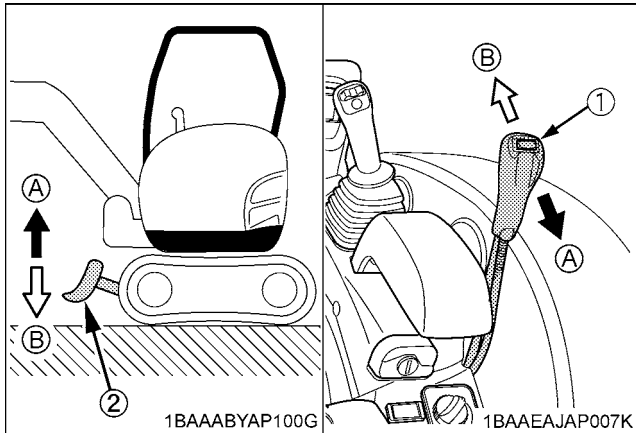


- (1) Pilot control lock lever (A) "UNLOCK" (B) "LOCKED"



(A) 20 to 40 cm (8 to 16 in.)

3. Activate the dozer control lever to raise the dozer.



- (1) Dozer control lever
- (2) Dozer
- (A) "Raise"
- (B) "Lower"

Drive Levers (Right,Left)

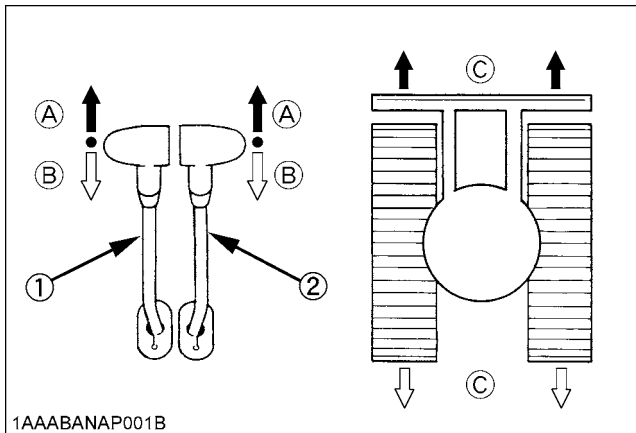


WARNING

To avoid personal injury or death:

- When driving the excavator keep the dozer blade in front. To move the excavator forward, move the drive levers to (A) and to move in reverse, move the drive levers to (B) with dozer blade in front. If the dozer blade is behind operator station, then the controls are reversed, moving the excavator forward will require (B) and moving the excavator backwards will require (A), but this is not recommended.

Pushing the drive levers forward, moves the excavator forwards, and vice-versa. The front of the excavator is the side where the dozer is located; the drive sprocket is in the rear of the excavator.



- (1) Drive lever (left)
- (2) Drive lever (right)
- (A) "Forward"
- (B) "Backward"
- (C) "Straight"

TURNS



WARNING

To avoid personal injury or death:

- Do not change direction on steep slopes, or the excavator could tip over.
- Before changing direction, beware of people in the work area.

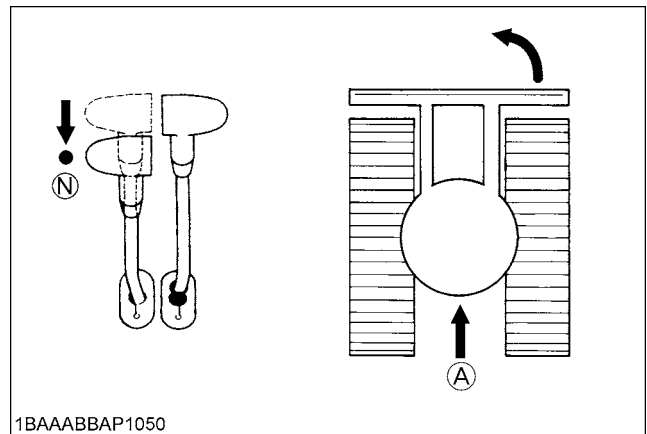
Pivot Turn

NOTE :

- Movement as illustrated is done with the dozer blade in front of the operator.

Change of Direction while Travelling

1. While travelling forward, bring the left drive lever into the neutral position; the excavator will turn in the direction of the arrow of the illustration below.

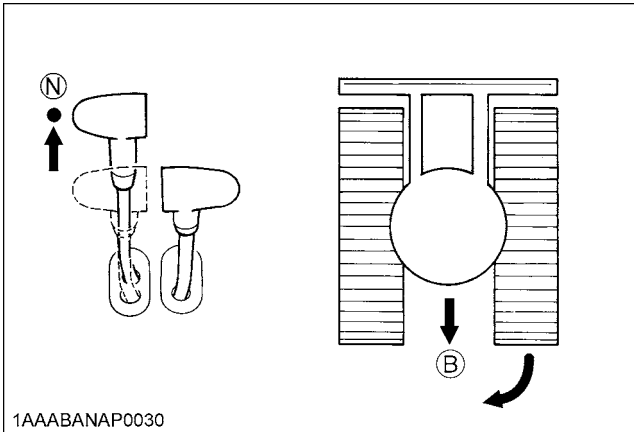


- (A) "Travelling forward"
- (N) "Neutral position"

1AAABANAP001B

1BAAABBAP1050

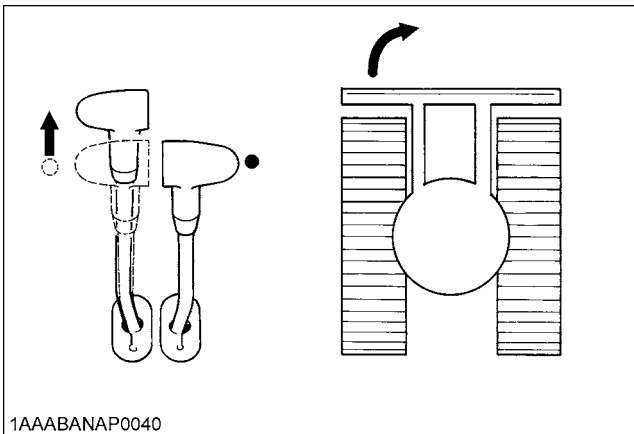
- While travelling backward, bring the left drive lever into the neutral position; the excavator will turn in the direction of the arrow of the illustration below.



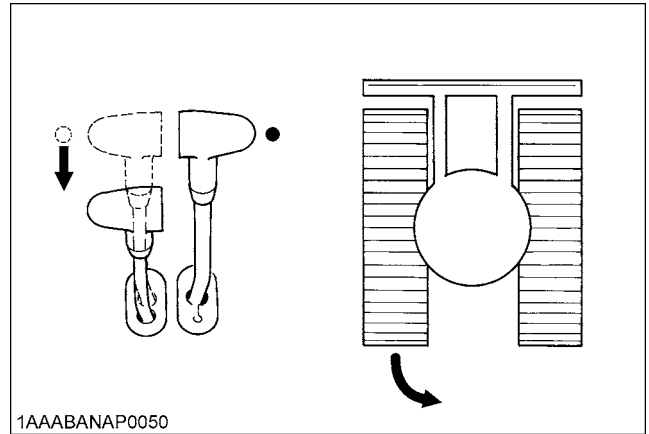
(B) "Travelling backward" (N) "Neutral position"

◆ **Change of Direction while Stationary**

- Push the left drive lever forward; the excavator will turn in the direction of the arrow of the illustration below.

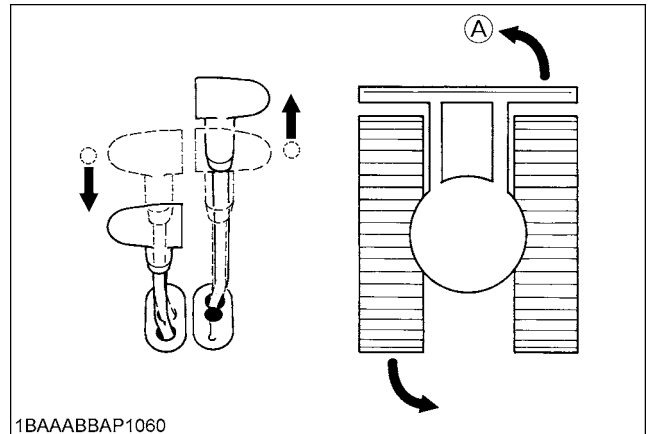


- Pull the left drive lever backward; the excavator will turn in the direction of the arrow of the illustration below.

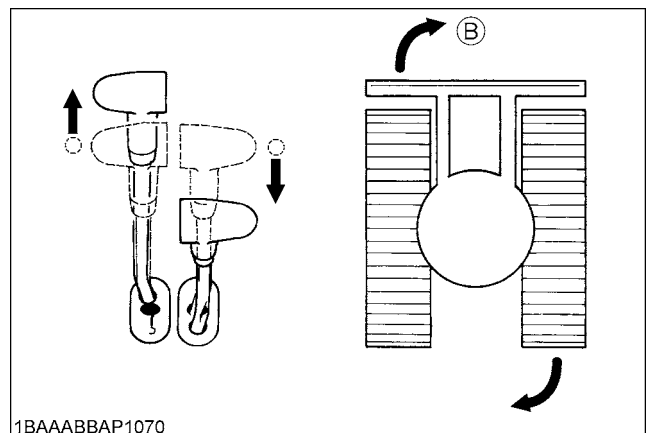


■ **Spin Turn**

When both drive levers are activated in the opposite directions, both tracks will rotate with the same speed but in opposite directions. The center of rotation is the center of the excavator.



(A) "Left spin turn"



(B) "Right spin turn"

UP AND DOWNHILL DRIVING

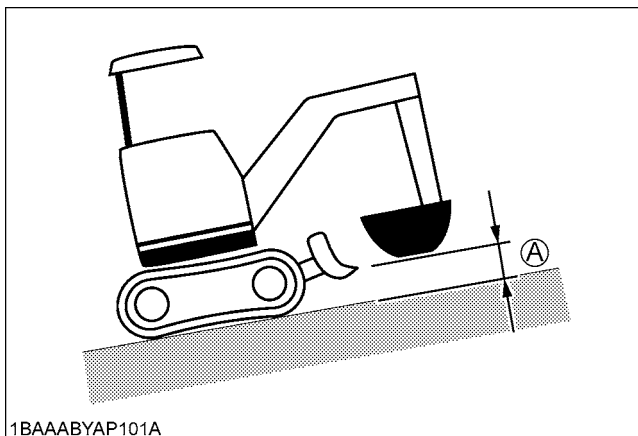
WARNING

To avoid personal injury or death:

- When travelling up or down a slope, use extra caution and follow the instructions below.

While traveling uphill, keep the lower edge of the bucket approx. 20 to 40 cm (8 to 16 in.) above the ground. Although the KUBOTA excavator will not slip easily because of the tracks, it is safer to let the bucket slide over the ground while traveling downhill. Always choose slow speed for uphill and downhill traveling.

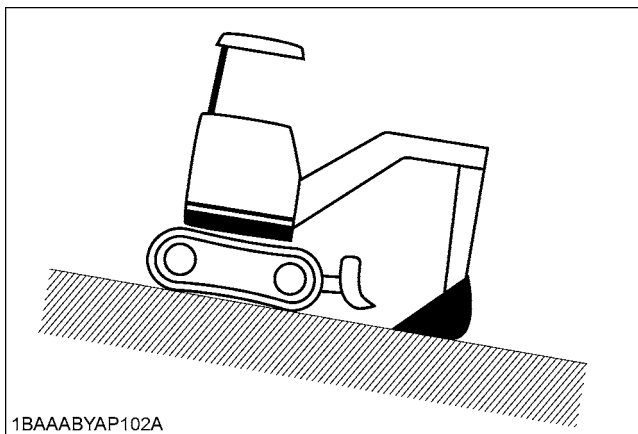
[UPHILL TRAVELING]



1BAAABYAP101A

(A) 20 to 40 cm (8 to 16 in.)

[DOWNHILL TRAVELING]



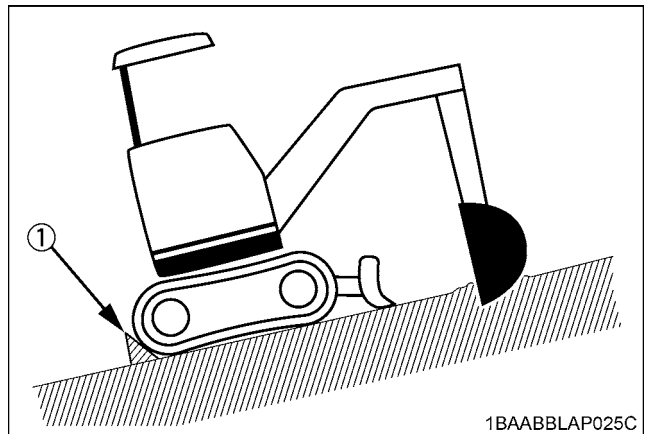
1BAAABYAP102A

PARKING ON A SLOPE

WARNING

To avoid personal injury or death:

- When the excavator is parked or left unattended on a slope, be sure to put the bucket on the ground and place all control levers in neutral position, then brace the tracks with chocks.



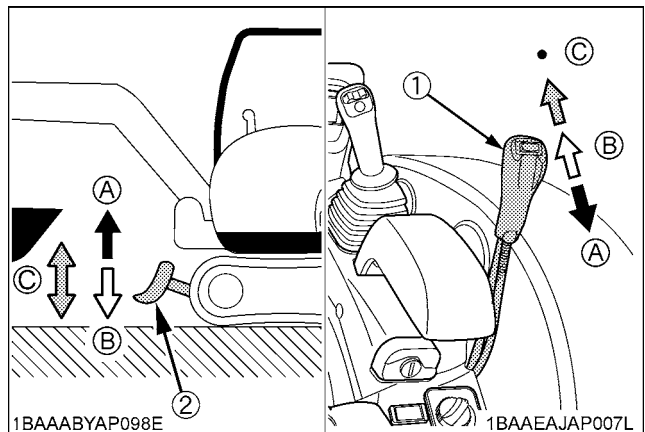
1BAABBLAP025C

(1) Chock

OPERATION OF THE DOZER

1. To raise the dozer, pull back the control lever. To lower the dozer, push the control lever forward.

To float the dozer, push the control lever more forward to the locked position.



1BAAABYAP098E

1BAAEAJAP007L

(1) Dozer control lever
(2) Dozer

(A) "Raise"
(B) "Lower"
(C) "Float" (Locked position)

2. While undertaking earth moving work, control both drive levers with the left hand and the dozer control lever with the right hand.

TWO PATTERN SELECTION SYSTEM (TPSS)



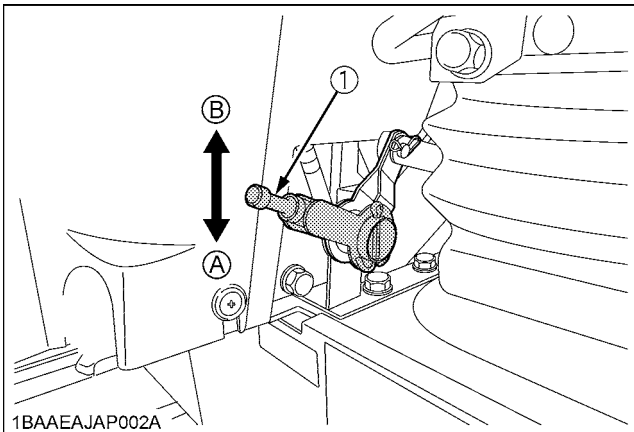
WARNING

To avoid personal injury or death:

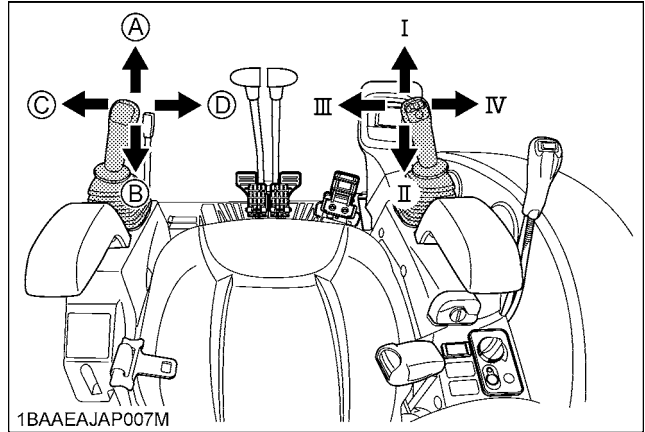
- Study control lever pattern A and pattern B. Then choose the one which is most familiar.
- Position the pattern selector lever (located on the right side of operator's seat) in either the lower position (Pattern A) or the upper position (Pattern B).
- Engage the lever lock to prevent accidental pattern change.
- Familiarize yourself with the pattern selected by operating slowly.

■ Pattern Change

Position the pattern selector lever to the desired position.



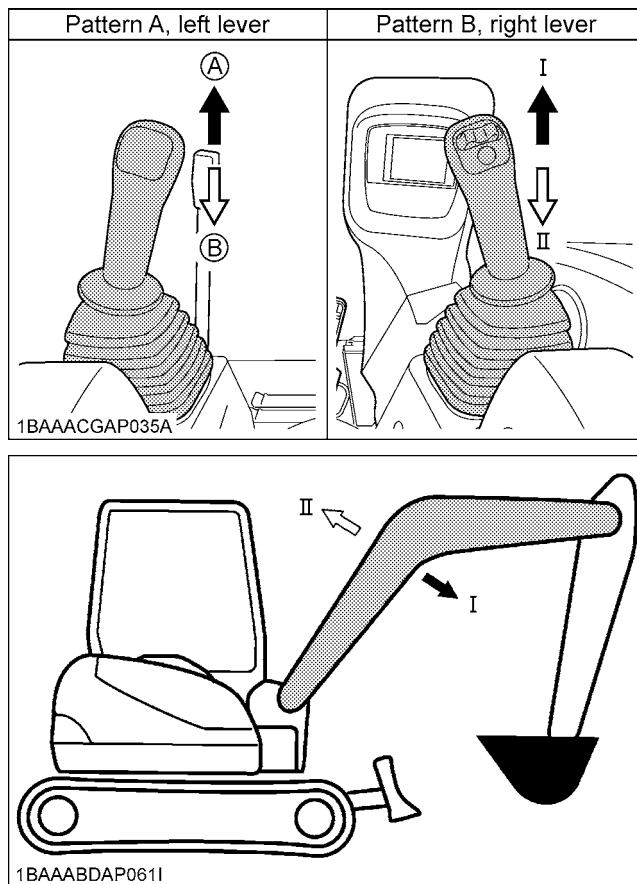
(1) Pattern selector lever (Two Pattern Selection System:TPSS) (A) "Pattern A" (B) "Pattern B"



Lever Position	Attachment Control Lever (Left)	Attachment Control Lever (Right)
Pattern A	A Boom down	I Arm out (up)
	B Boom up	II Arm in (crowd)
	C Swing left	III Bucket crowd
	D Swing right	IV Bucket dump
Pattern B	A Arm out (up)	I Boom down
	B Arm in (crowd)	II Boom up
	C Swing left	III Bucket crowd
	D Swing right	IV Bucket dump

OPERATION OF THE BOOM

To raise the boom, pull the attachment control lever back. The boom is equipped with a cushion cylinder which helps prevent excavated material in the bucket from falling out. At low hydraulic oil temperature, (e.g. after starting the engine in cold weather) the cushioning function will be effected for a short period of time (approx. 3 to 5 seconds). This condition results from the viscosity of the hydraulic oil and is not a sign of malfunction. The cushion cylinder will operate normally as the oil warms up. To lower the boom, push the attachment control lever forward.

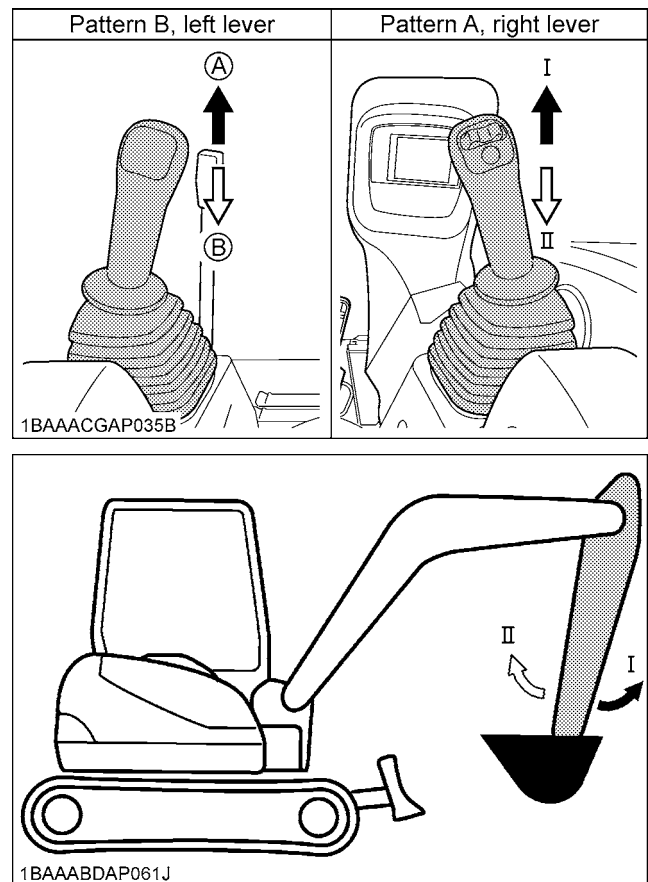


OPERATION OF THE ARM

Pull back the attachment control lever and the arm will be pulled in. To move the arm out, push the control lever towards the front.

NOTE :

- When pulling in the arm, the movement may stop for a short moment when the arm is in its vertical position. This is caused by the combined load of the arm and bucket moving the cylinder piston away from the hydraulic flow causing a delay in the cylinder action, until the flow catches up with cylinder piston. This is a characteristic of the hydraulic system and is not a sign of malfunction.

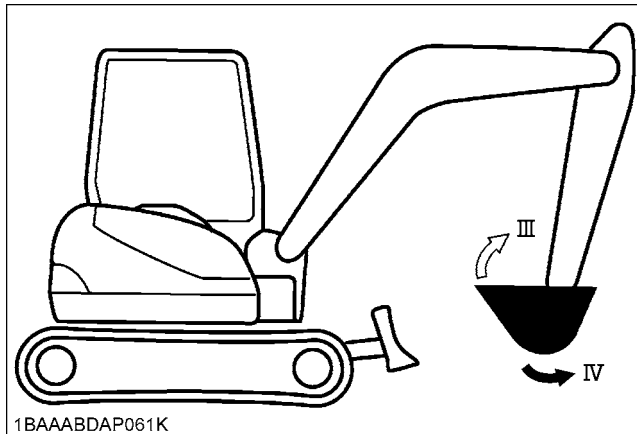
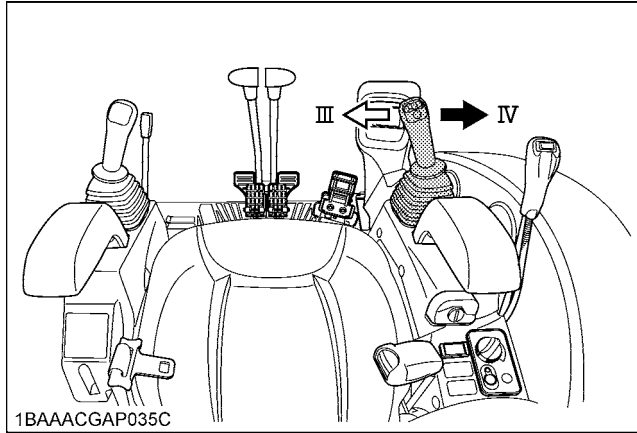


IMPORTANT :

- When lowering the boom, make sure that it does not hit the dozer and that the bucket teeth do not touch the dozer.

OPERATION OF THE BUCKET

To dig using the bucket, move the right attachment control lever from the neutral position, left. Moving the control lever right, moves the bucket outwards and empties its contents.



UNIT SWING AND BOOM SWING OPERATION

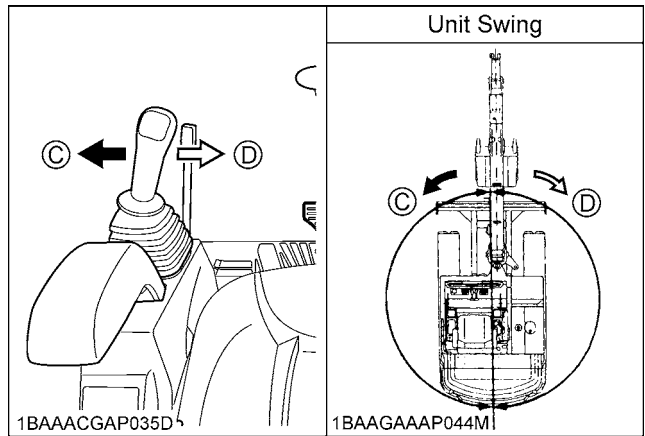
WARNING

To avoid personal injury or death:

- When working in groups, always let the others know what you are going to do before you do it.
- Keep others away from the machine working area.
- Be sure to lock the boom swing pedal when the boom swing function is not used.

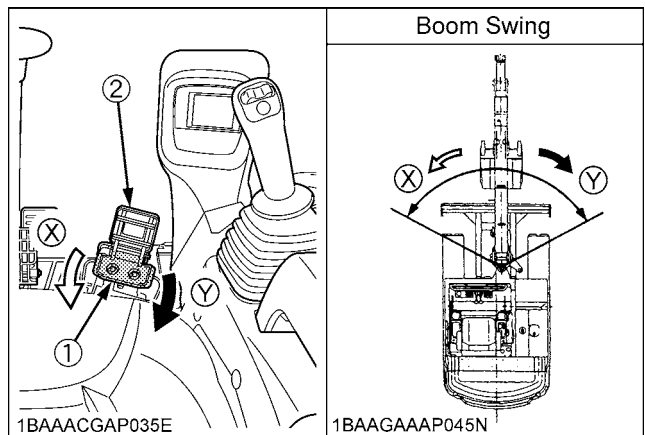
■ Unit Swing Operation

1. Move the control lever to the left and the upper structure will turn to the left.
2. Move the control lever to the right and the upper structure will turn to the right.



■ Boom Swing Operation

1. Flip the pedal lock up to unlock the pedal.
2. Step on the left side of the pedal to swing the boom to the left.
3. Step on the right side of the pedal to swing the boom to the right.



- (1) Boom swing pedal
- (2) Pedal lock

IMPORTANT :

- Do not operate the left attachment control lever abruptly from right to left (or vice versa), because the inertia may cause high impact loads on the swing gear and the swing motor, shortening the life of the excavator.

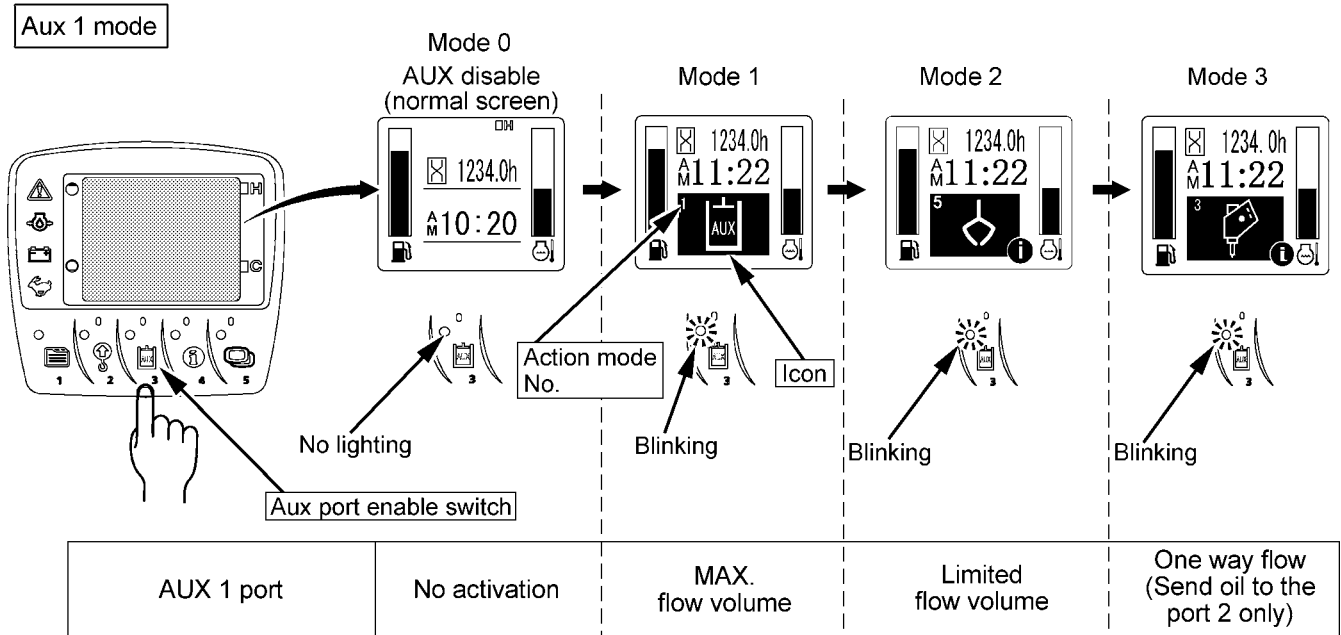
AUXILIARY PORT OPERATION

The auxiliary port enable switch is used to operate hydraulic attachment such as hammers.

■ Selecting the Action Modes

The AUX port has been factory-set to three action modes. You can select one of them. Up to five action modes can be preset.

Each time the AUX port enable switch (switch 3) is pressed, the action modes change over one after another. And the icon and action mode number on the screen change accordingly.



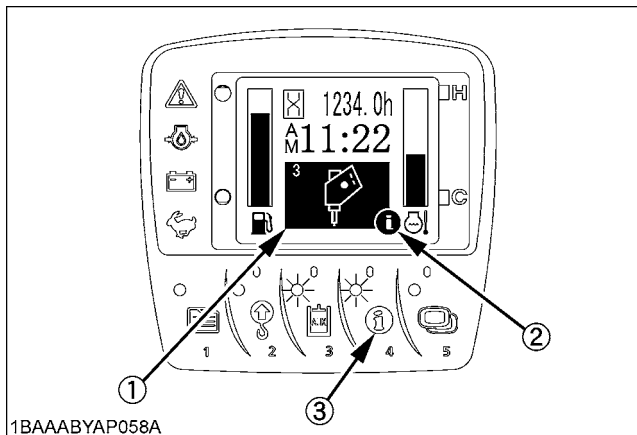
1BAAABYP015C

NOTE :

- When turning the starter key to the "RUN" position, the action mode will return to the last action mode used.

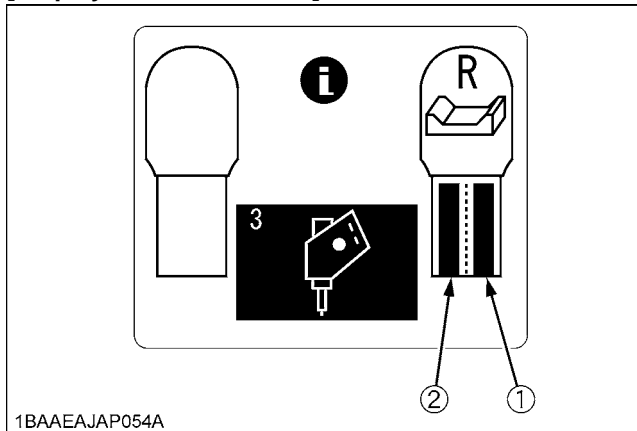
◆ **Checking the settings of each action mode**

When an action mode is selected and the "i" mark appears at the lower right of the icon, the flow volume setting gets displayed by pressing the switch 4.



- (1) Icon
- (2) Information mark
- (3) Information switch (Switch 4)

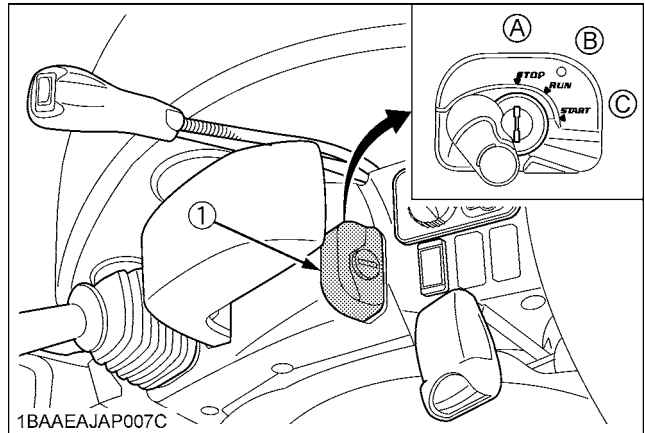
[Display in AUX 1 modes]



- (1) AUX Port 1
- (2) AUX Port 2

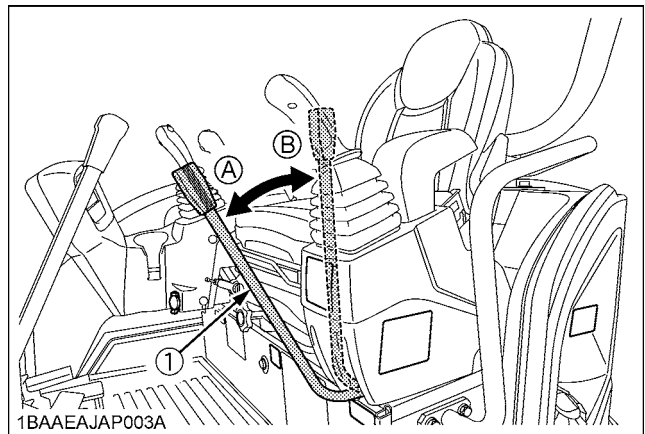
■ **AUX Port Handling Procedure**

1. Turn the starter key to the "RUN" position.
Let the engine warm up after start-up for approx. 10 minutes under no load conditions.



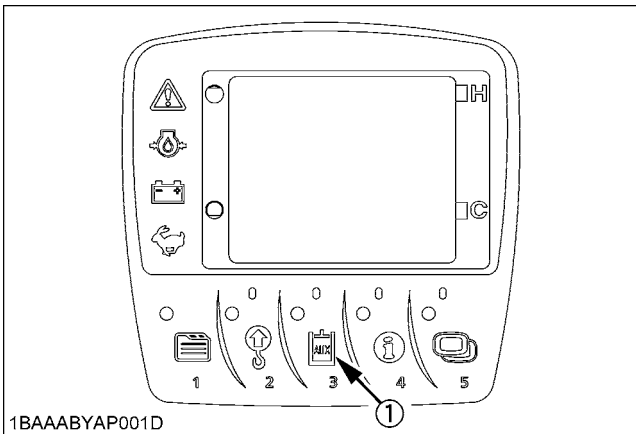
- (1) Starter switch
- (A) "STOP"
- (B) "RUN"
- (C) "START"

2. Lower the pilot control lock lever (UNLOCK).



- (1) Pilot control lock lever
- (A) "UNLOCK"
- (B) "LOCKED"

3. Push the AUX port enable switch (switch 3).



(1) AUX port enable switch (Switch 3)

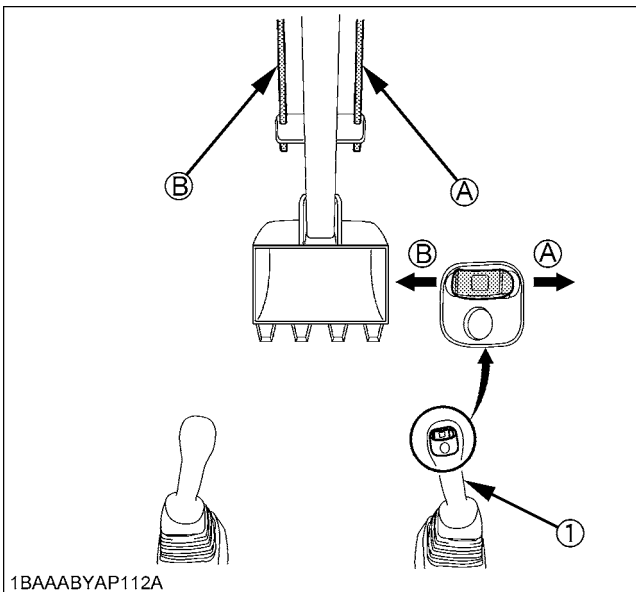
NOTE :

- If the pilot control lock lever is at the "LOCKED" position, the following message appears onscreen. Down this lever to the "UNLOCK" position and then press the AUX port enable switch (switch 3).



1BAABBLAP257B

4. Move the AUX port knob of the right attachment control lever to the right to send oil to the AUX port 1. Move the AUX port knob to the left to send oil to the AUX port 2.



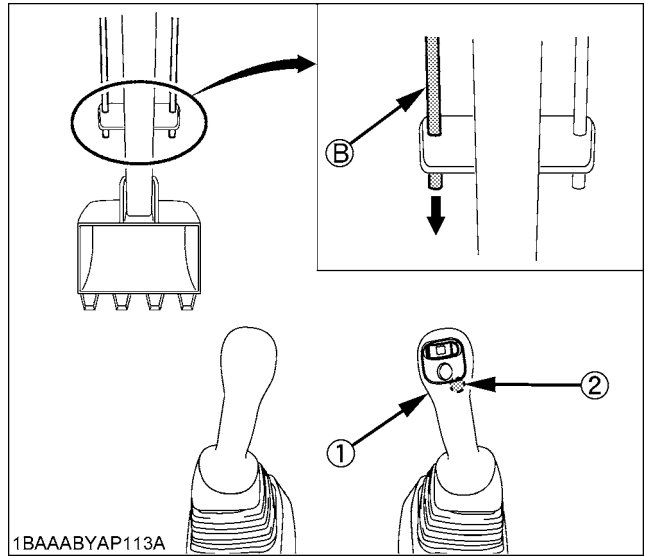
(1) Attachment control lever (right) (A) "AUX port 1" (B) "AUX port 2"

IMPORTANT :

- Proportional control of the AUX port knob allows for slow-to-fast movement of attachment. Example; If you move the AUX port knob halfway, the attachment will move at approximately one-half speed.

◆ **One way hold**

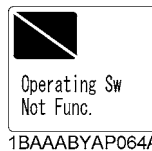
Press the one way hold switch of the right attachment control lever, and the oil continues to flow through the AUX port 2. Press this switch again or move the AUX port knob, and the oil flow is interrupted.



(1) Attachment control lever (right) (B) "AUX port 2"
(2) One way hold switch (right)

NOTE :

- Even if the one way hold switch of the right attachment control lever is pressed, no function is assigned. In this case, the following message appears onscreen.



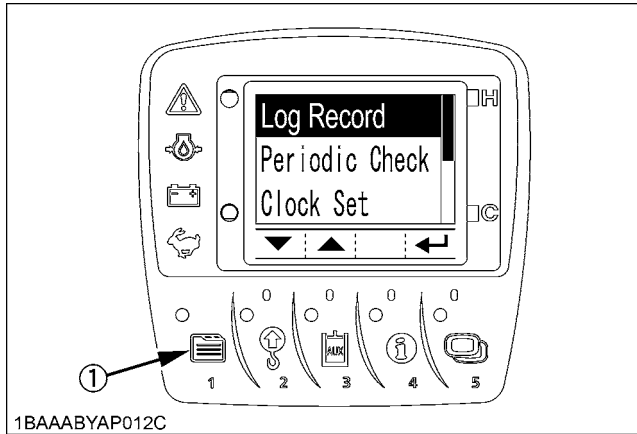
1BAAABYAP064A

■ Setting the Maximum Flow Volume

The AUX port has been factory-set to three action modes 1, 2 and 3. The action modes 4 and 5 can also be preset.

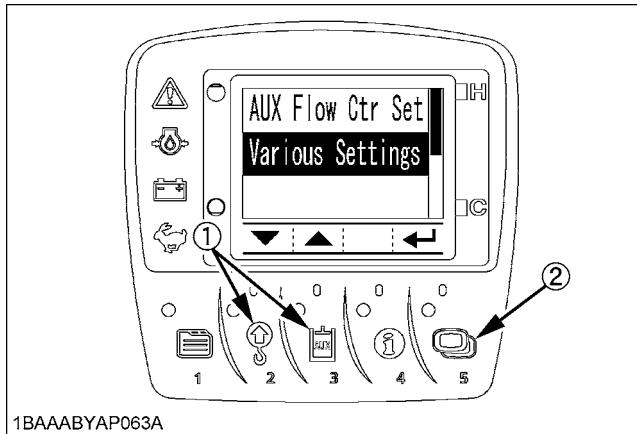
◆ How to make the settings

1. With the starter key at the "RUN" position, press the user setting switch (switch 1), and the following display appears onscreen.



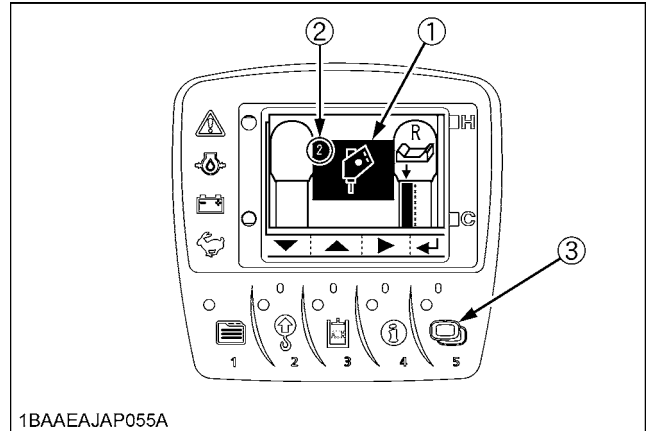
(1) User setting switch (switch 1)

2. Press the switch 2 or 3 to select "AUX Flow Ctrl Set", and then press the switch 5.



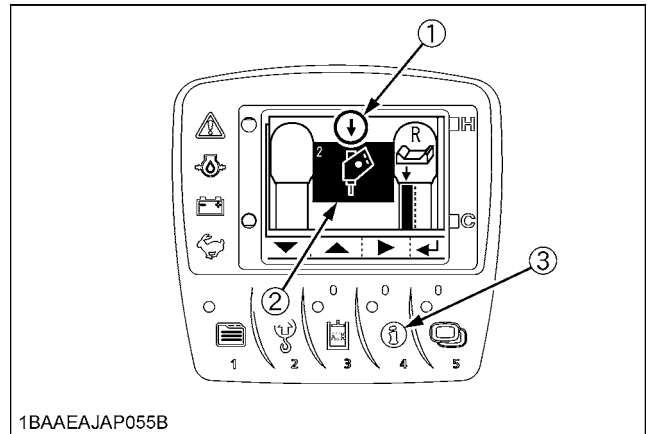
(1) Switch 2 and 3
(2) Switch 5

3. Each time the switch 5 is pressed, the mode number changes. Select your desired setting mode number.



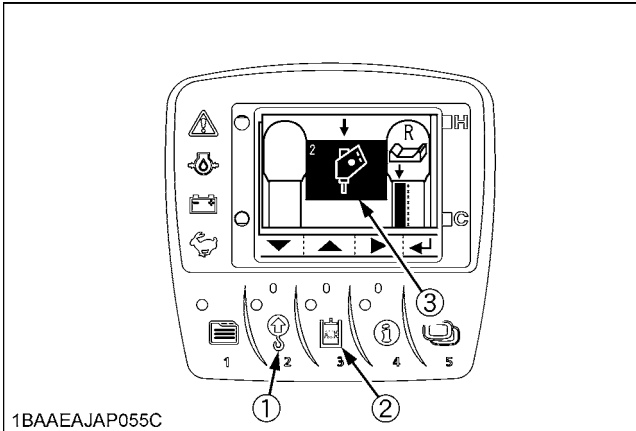
(1) Icon
(2) Mode No.
(3) Switch 5

4. Take the following steps to set the icons. Each time the switch 4 is pressed, the setting cursor (arrow mark) shifts position. Move the cursor above the icon.



(1) Setting cursor (arrow mark)
(2) Icon
(3) Switch 4

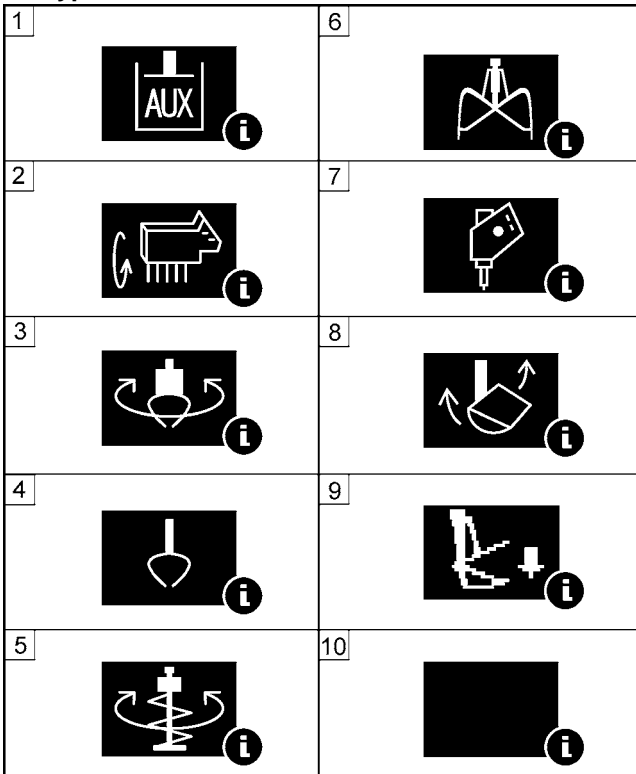
5. Each time the switch 2 or 3 is pressed, the icon changes. Select your desired icons.



1BAAEA JAP055C

- (1) Switch 2
- (2) Switch 3
- (3) Icon

◆ Types of AUX icons



1BAAABYAP209A

- (1) AUX (Standard)
- (2) Brush cutter
- (3) Rotary grapple
- (4) Grapple
- (5) Auger
- (6) Clamshell
- (7) Breaker
- (8) Tilt bucket
- (9) Thumb
- (10) Blank (disable)

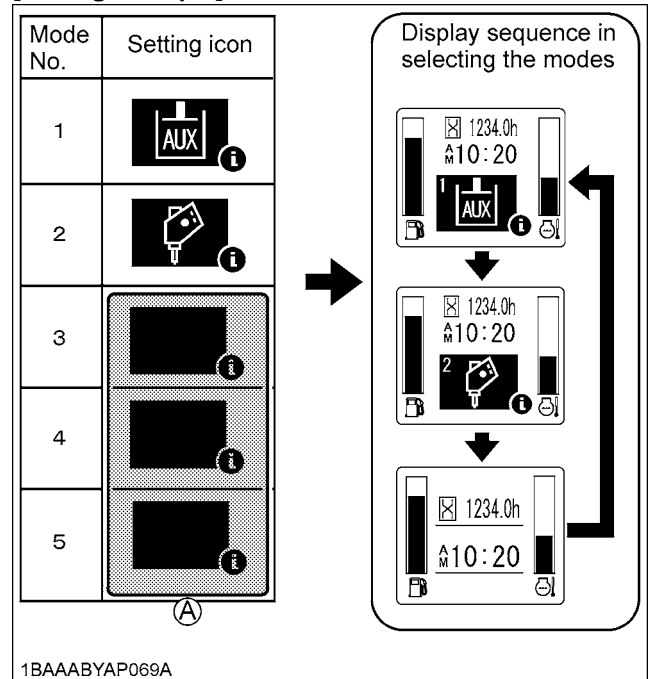
NOTE :

- There is no relationship between the icons and the flow control settings. Select icons to suit the images of attachments to be connected.
- In an action mode with the disable icon preset, such action mode is skipped even if selected.

Take an example of the following settings:
 AUX (standard) icon for action mode 1,
 Breaker icon for action mode 2,
 Disable icon for actions modes 3, 4 and 5.

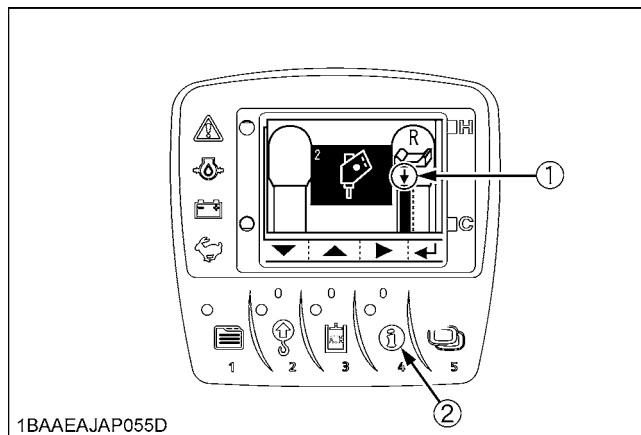
Each time the AUX port enable switch (switch 3) is pressed, the display changes from action mode 1, action mode 2 to normal mode in this order.

[Setting example]

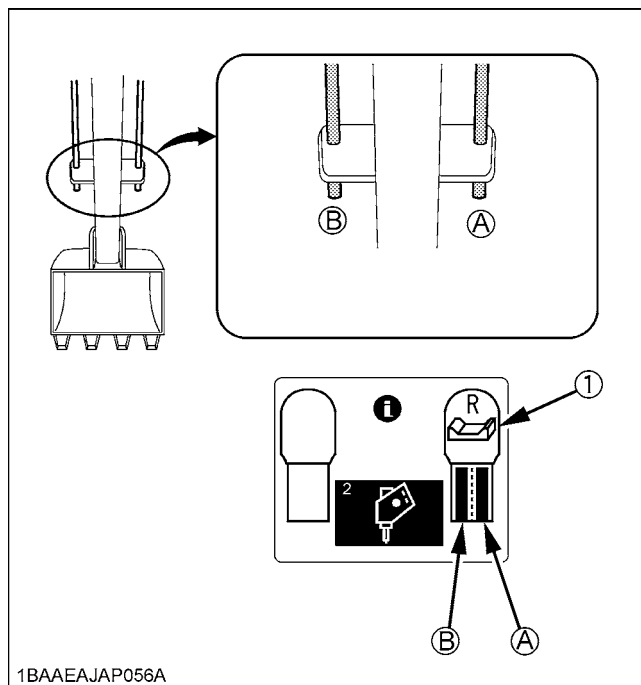


(A) Blank (disable) icon

6. Set the maximum flow volume for each AUX port.
Press the switch 4 to move the setting cursor (arrow mark) to the port 2 position of Thumb port at the right.

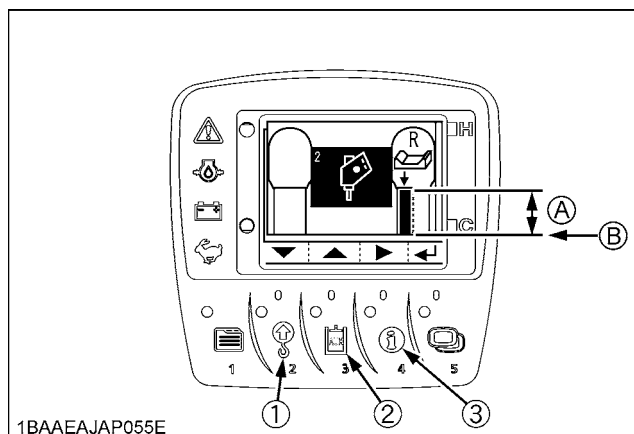


- (1) Setting cursor (arrow)
(2) Switch 4



- (1) AUX 1
(A) "AUX port 1"
(B) "AUX port 2"

7. Press the switch 2 or 3 to preset the maximum flow volume.
Set the bar to the highest level, and the flow volume will be maximized.
Set the bar to the lowest level (no bar displayed), and there will be no oil flow.
Then press the switch 4 to go to the next port, and make the settings for all the other ports.

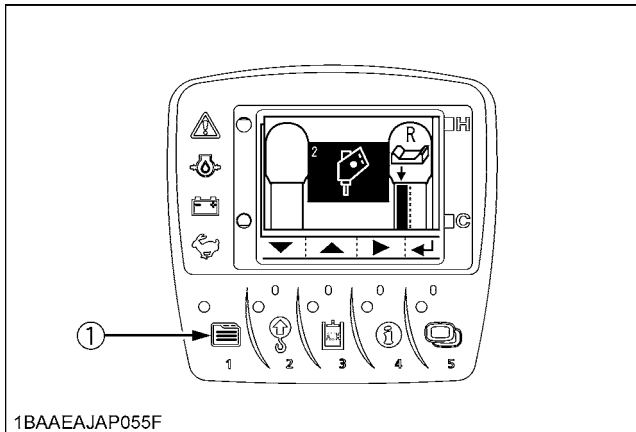


- (1) Switch 2 (Lower flow volume) (A) "MAX. flow volume"
(2) Switch 3 (Higher flow volume) (B) "Output interrupted"
(3) Switch 4

NOTE :

- Some attachments might not be activated even when the bar level is still somewhat above the lowest position. Or even when the bars of ports 1 and 2 are at the same level, the same speed might not be achieved. This does not indicate a machine problem, however. Readjust the bar to the optimum level according to your attachment manual.
- Suppose that the same attachment is mounted on another machine. Even if the same flow control setting is made, the same speed cannot be achieved. Make an optimum setting on each machine.

8. Go back to Step 3 to make settings for the next action mode. When all the settings of all the action modes have been made, press the switch 1 to return to the normal screen.



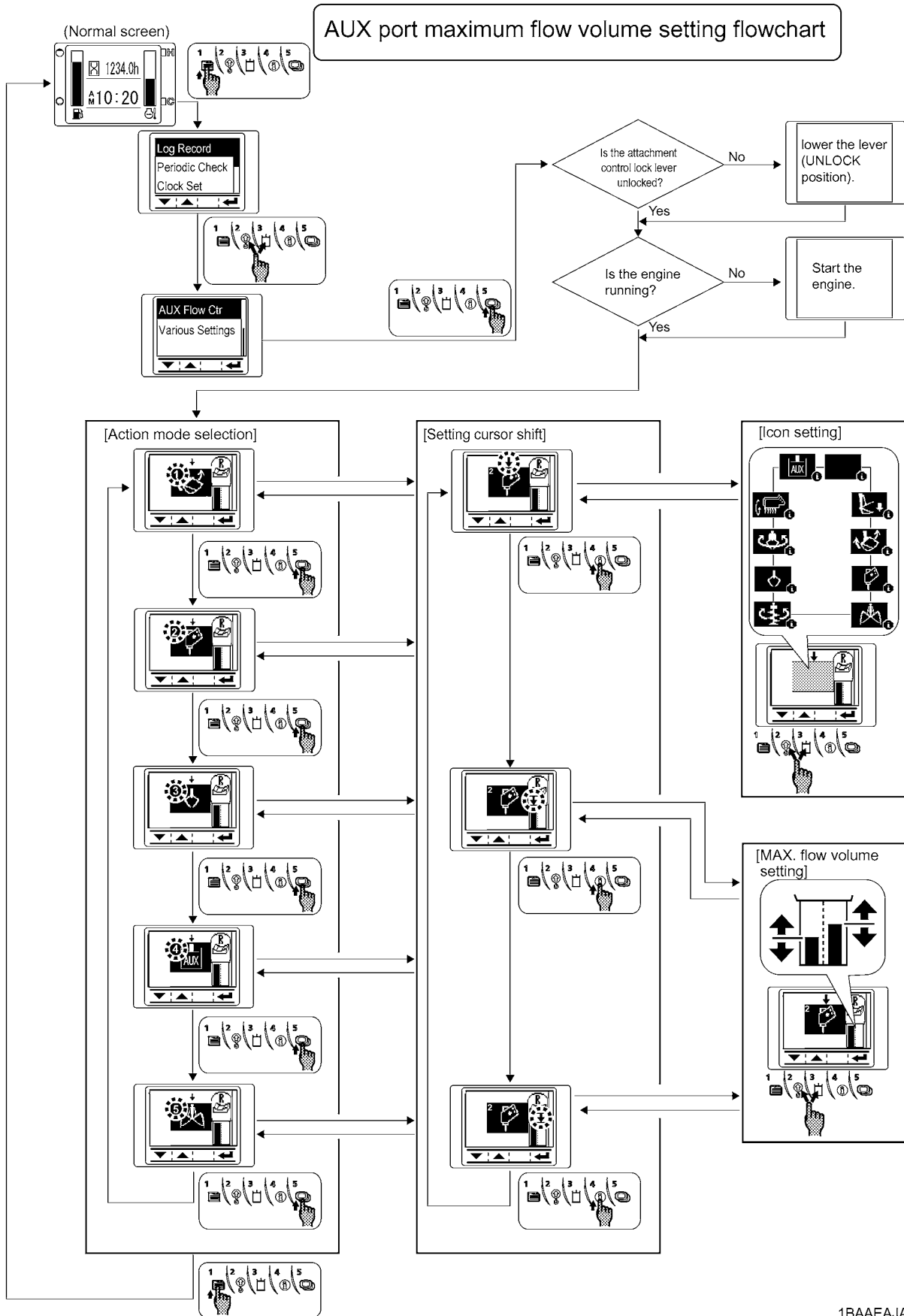
(1) Switch 1

◆ AUX port MAX. Flow volume

	Thumb port	AUX 1 port
MAX. flow volume (Theoretical) L (US gal) /min	39.6 (10.5)	60.5 (15.9)
MAX. pressure MPa (kgf/cm ²) [psi]	17.2 (175) [2500]	17.2 (175) [2500]

IMPORTANT :

- When the AUX port is not used for a long period, dirt particles can settle in the lower part of the AUX port lines. When the plugs on the AUX port lines are removed to connect attachments, drain approx. 100 cc (3.4 oz) of oil before making connections.



HOW TO RELEASE PRESSURE TRAPPED IN THE HYDRAULIC SYSTEM

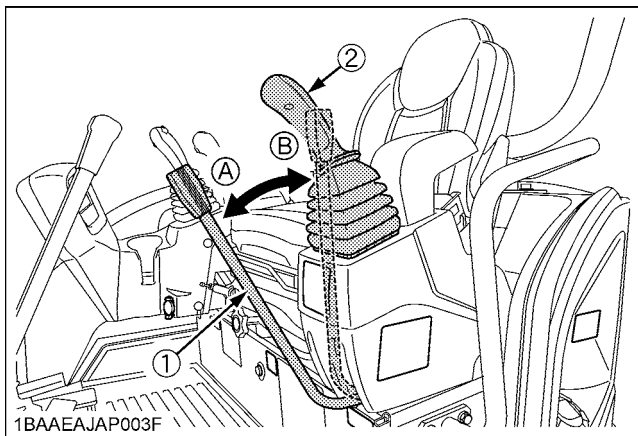


WARNING

To avoid personal injury or death:

- Relieve residual hydraulic pressure immediately after the engine has stopped.

1. Lower the attachments and the blade down to the ground.
2. Turn the key to "STOP" position and shut off the engine.
3. After stopping the engine, turn the key to "RUN" position.
4. Set the pilot control lock lever to "UNLOCK" position.

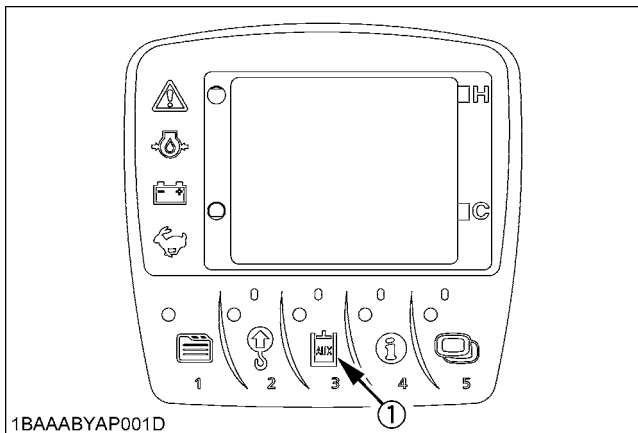


- (1) Pilot control lock lever (A) "UNLOCK"
 (2) Attachment control lever (left) (B) "LOCKED"

5. Move the operating lever to release pressure in the hydraulic system.

[How to release pressure trapped in the AUX port]

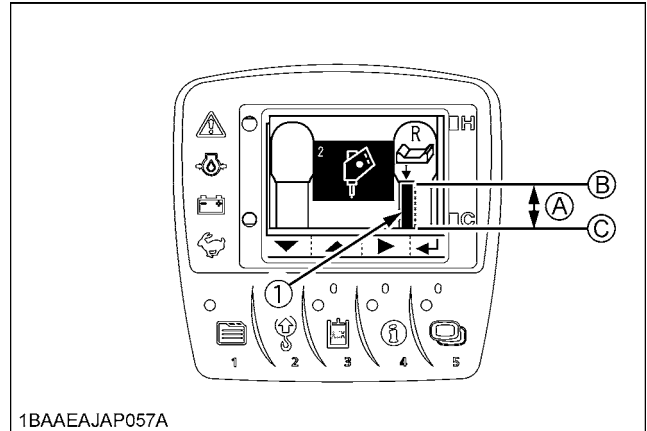
1. Perform the above operations of 1 to 4.
2. Turn "ON" the AUX port enable switch.



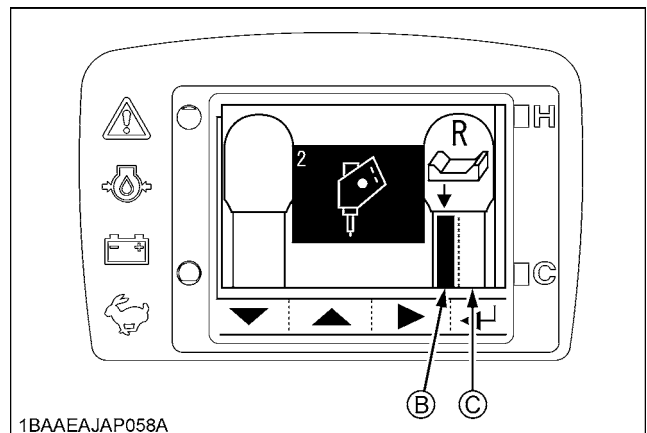
- (1) AUX port enable switch (Switch 3)

3. Make sure that the flow volume in all the AUX ports is not minimized.

If the pressure is removed after minimizing the flow volume in the AUX port, release pressure is not removed completely and the hose coupler may be unable to connect and disconnect.

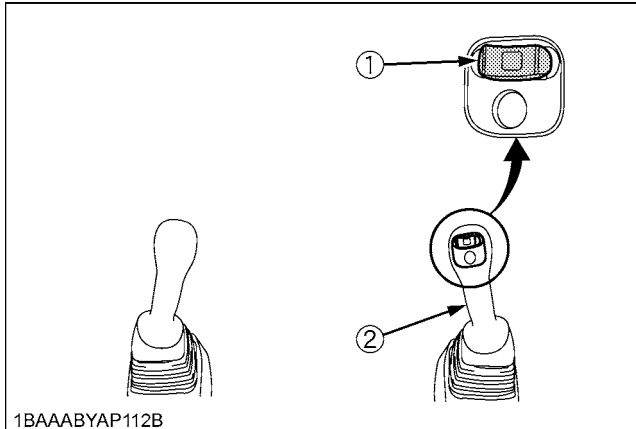


- (1) Flow volume in AUX port display (A) Flow volume in AUX port
 (B) Maximum (C) Minimum



- (B) Maximum status of flow volume in AUX port
 (C) Minimum status of flow volume in AUX port

4. Move the AUX port knob mounted to the operating lever to the right to release pressure in the AUX port.



- (1) AUX port knob
- (2) Attachment control lever (right)

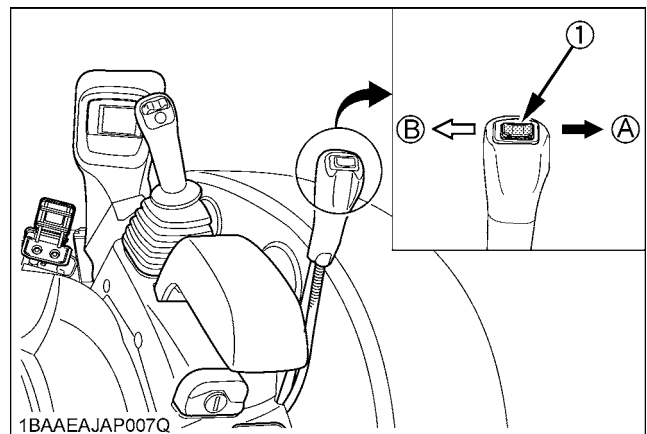
ANGLE BLADE OPERATION

WARNING

To avoid personal injury or death:

- Never jack up or lift the machine with the angle blade placed at an angle.
Stability of the machine is affected with the blade at an angle, keep at the neutral position. Before starting the job, position and keep the angle blade at the standard 0° marking (Refer to Figure (1)).
- Do not work under the machine.

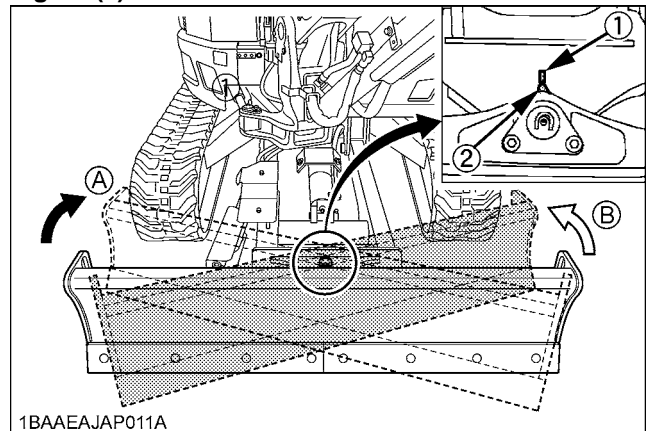
1. Push the angle blade control switch to the right or left, and the angle dozer is placed at an angle.



- (1) Angle blade control switch
- (A) Turn the right
- (B) Turn the left

2. For the right-hand angle setting, push the angle blade control switch in direction (A). The angle blade will be placed at an angle toward (A).
3. For the left-hand angle setting, push the angle blade control switch in direction (B). The angle blade will be placed at an angle toward (B).

Figure (1)



- (1) Mark (red)
- (2) Mark (red)
- (A) Turn the right
- (B) Turn the left

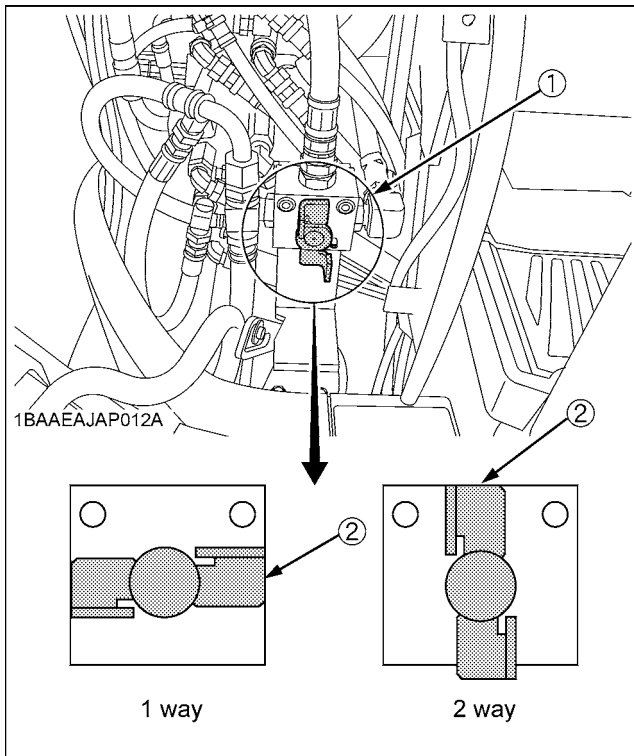
1-way or 2-way CIRCUIT SELECTION VALVE OPERATION

A selection valve which selects 1-way or 2-way circuit of service port has been installed on the hydraulic tank.

1. When equipment which needs a 1-way circuit will be used, position the arrow, by using the selector lever, on the axis of the selection valve to the 1-way circuit position, to reduce the back pressure.
2. When equipment which needs a 2-way circuit will be used, position the arrow on the axis of the selection valve to the 2-way circuit position.

NOTE :

- 1-way circuit..... HAMMER etc.
- 2-way circuit..... THUMB, TILT BUCKET, AUGER, GRAPPLE etc.



- (1) Selection valve
(2) Selector lever

WARNING

To avoid personal injury or death:

- Stop the engine before removing/changing the equipment.
- Release pressure in the hydraulic system before removing/changing the equipment. (See "HOW TO RELEASE PRESSURE TRAPPED IN THE HYDRAULIC SYSTEM".)
- Position the selection valve to the correct position (either 1-way or 2-way circuit selection) before mounting the equipment.
- Always select the correct valve position before mounting the equipment (1-way or 2-way circuit selection) to avoid sudden movement of the equipment.

NOTE :

- Leaving the selection valve to 1-way circuit selection and attaching 2-way circuit equipment may cause the equipment to move (drop) suddenly due to its own weight, as the tank line remains open, even with the engine off.

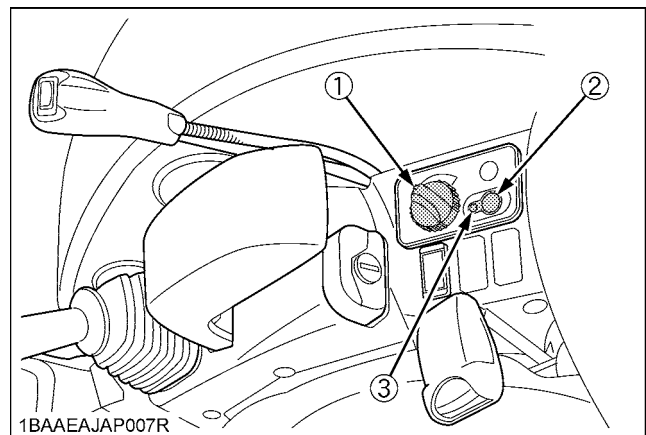
AUTO IDLE (AI) OPERATION

1. Throttle potentiometer

With this potentiometer the operator can adjust the engine speed when the auto idle control is activated.

2. Auto idle (AI) control switch

With this switch the auto idle control is turned on or off. The auto idle control allows the engine speed to drop to idle speed when the control levers are left in neutral for longer than four seconds. If the control is activated, the engine speed rises immediately to the preset rpm. If the auto idle is not activated the throttle potentiometer can be utilized to control engine speed in a similar way to a conventional throttle control lever.



- (1) Throttle potentiometer
(2) Auto idle control switch
(3) Auto idle lamp

IMPORTANT :

- It is possible that the auto idle may not function until hydraulic oil warms up in the cold weather. Therefore it is not recommended that the Auto Idle be activated until the machine is completely warmed up.

NOTE :

- Before operating the control lever, check the auto idle lamp.
- When operating in confined spaces or when loading onto a vehicle, turn the auto idle control switch off (lamp off). This is to prevent unwanted engine speed increases when control levers are activated.
- The auto idle control, when selected by a switch, provides the operator with a way to control engine speed without moving the throttle potentiometer, simply by not activating any control levers for about four seconds after stopping work, and then to simply restore a preset (by potentiometer) engine speed by activating any control lever to return to work.
- The purpose of the system is to reduce fuel consumption, noise and operator fatigue.
- When the dozer control lever is locked at the "Float" position on the angle blade type, the auto idle function is not activated even if any other control lever is set in the neutral position.

IMPORTANT INFORMATION ON EXCAVATOR OPERATION

- Do not try to crush concrete or boulders using side swings with the bucket. Also avoid using side sweeps of the bucket to move earth piles.
- Under all circumstances avoid the following operations:
 - Excavation using the gravitational impact of the machine.
 - Compacting of gravel or soil using the dropping action of the bucket.
 - Excavation using the traveling power of the machine.
- Do not try to drop or shake off soil adhering to the bucket in the manner given in the points below. This can cause damage to the machine.

Adhering soil can be shaken off when the bucket is being emptied by moving the bucket out to the maximum stroke of the cylinder. Should this not suffice, swing out the arm as far as possible and operate the bucket back and forth.
- Do not hit the dozer with the boom cylinder!

Make sure that the boom cylinder does not hit the dozer when doing deep excavation. If necessary swing around so that the dozer is in the back of the machine.
- Pay attention when pulling in the bucket!

When pulling in the bucket (for driving or transportation) avoid hitting the dozer.

- Avoid collisions!

When moving the excavator, pay attention that the dozer does not collide with obstructions such as boulders, etc.

Such collisions shorten the life of the dozer and the cylinder substantially.

- Support the machine correctly!

When stabilizing the machine with the dozer, lower the dozer to engage the full width on the ground.

- If the water or mud level reaches higher than the top of the tracks, the swivel bearing, swivel motor gear and ring gear may be exposed to mud, water and other foreign objects.

The excavator must be properly pressure washed after each use.

- Thoroughly clean the area around the swivel bearing, swivel motor gear and ring gear to remove foreign objects.
- Inspect the swivel motor oil sump (if equipped) for water contamination. If water is present, refer to operator's manual for lubricant replacement procedure.
- Refer to operator's manual for proper swivel bearing, swivel motor gear and ring gear lubrication procedures.
- Reinstall any protective covering if removed earlier.
- Avoid applying excessive load with cylinders fully extended, or the machine easily gets damaged.
- Relieve residual hydraulic pressure immediately after the engine has stopped.

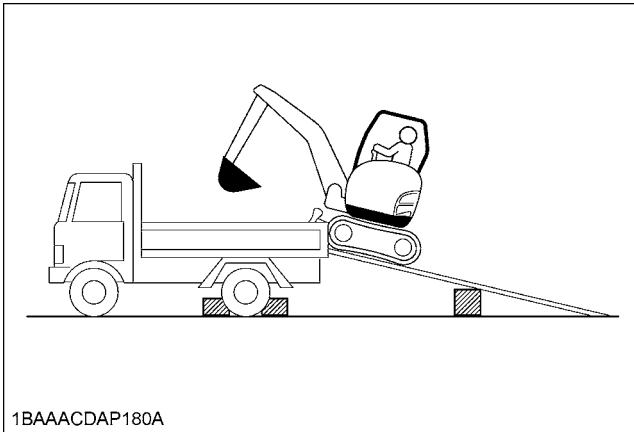
TRANSPORTING THE EXCAVATOR ON A VEHICLE



DANGER

To avoid serious injury or death:

- No directional changes should be made when the excavator is on the ramp. Should a change of direction be necessary, drive off the ramp completely and make the turn.
- When driving forwards or backwards onto the vehicle, or when swinging the upper body, make sure that neither the CAB or the gates of the vehicle will be damaged.



- When the excavator reaches the point between the ramps and the bed, halt and then move very slowly until the excavator reaches the horizontal position.
- Move the excavator onto the vehicle only with the arm completely pulled in.
- Do not jack up the machine using its boom to load or unload the excavator from the vehicle. Doing this is dangerous. Otherwise the CAB of the vehicle could be damaged when swinging around the upper body.
- Make sure the ramps are of sufficient capacity and securely connected to the vehicle to support the machine safety throughout the loading / unloading operation.

■ Transporting on a Truck



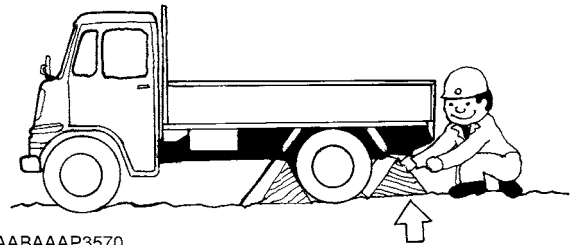
WARNING

To avoid personal injury or death:

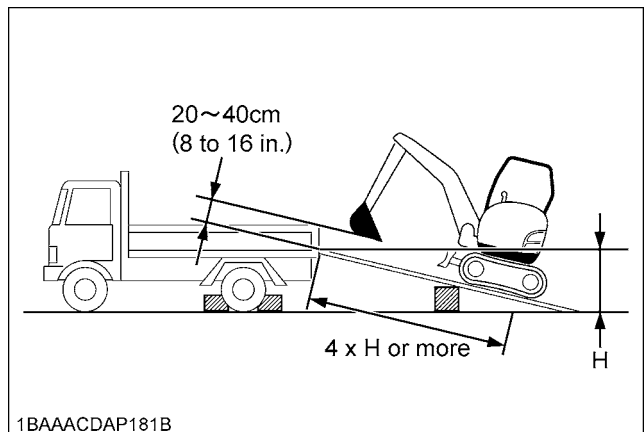
- After loading the machine on the truck, lower the bucket and dozer onto the truck bed.

Prepare a platform to load or unload the excavator. Take following steps when using ramps.

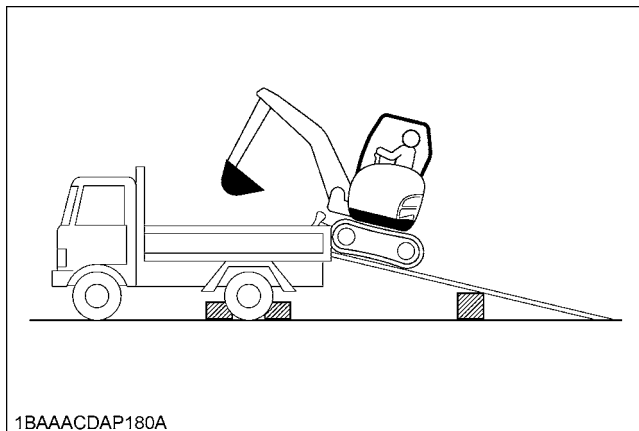
1. Apply the parking brakes of the vehicle, and block the drive wheels from both sides.



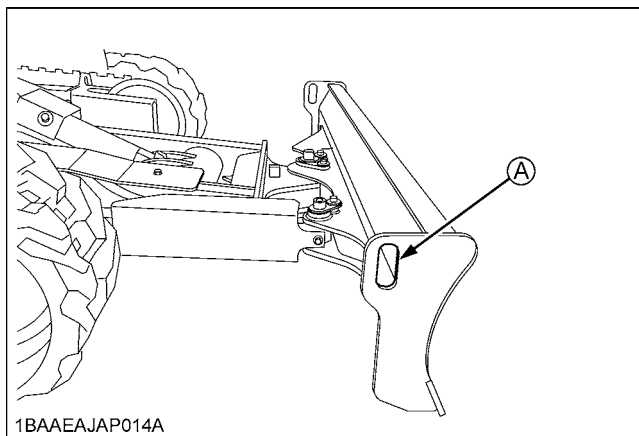
2. Use mounting brackets to secure the ramp properly. Connect the ramps directly with the bed.



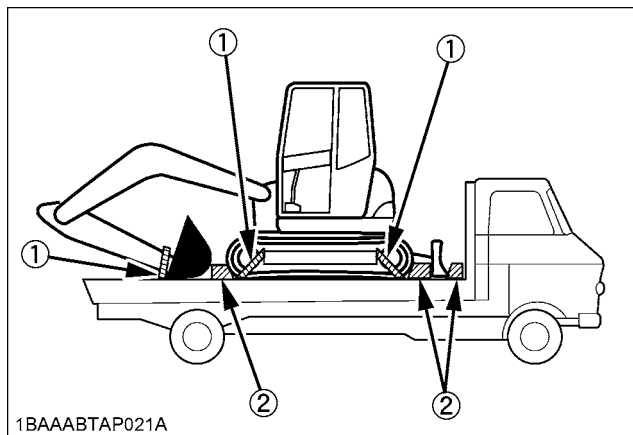
- For additional safety, use blocks or supports under the ramps and the bed.



- Completely align the ramps and the tracks and then drive the excavator slowly up the ramps. After ensuring that the tracks are completely on the bed, swing the upper body around to the back of the vehicle.
- Lower the dozer onto the bed.
- Pull in the bucket and arm completely. Then lower the boom.
- Stop the engine, release pressure trapped in the hydraulic system and remove the key.
- Raise the pilot control lock lever.
- Block the tracks with blocks and tie down the excavator.



(A) Tie down point



- (1) Chain
- (2) Block

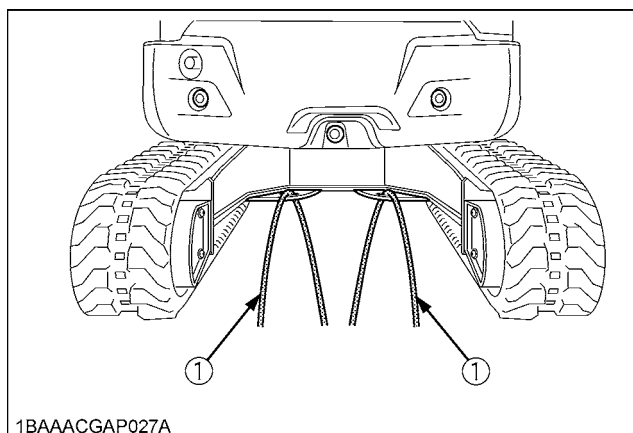
■ Towing the machine

⚠ WARNING

To avoid personal injury or death:

- When towing the excavator or pulling a load must be less than the strength of the towing line attached to excavator. Not to be used for tie-down or lifting the machine.
- Towing is only allowed over a short distance and at walking speed.

- Attach the tow bar or towing rope to the hook on the excavator and to the pulling vehicle. The tow bar should be mounted at a right angle to the vehicles.
- The operator must be seated during the recovery procedure.
- Drive slowly with the tractive vehicle to avoid abrupt loads.



- (1) Tow line

LIFTING OF THE EXCAVATOR



DANGER

To avoid serious injury or death:

- The correct instructions for safe handling are described here. Read these instructions carefully before moving the machine. Make sure that the operating personnel read the operator's manual carefully.

■ Basics when Lifting with Cables or Straps

1. The lifting and crane operation is to be undertaken according to the safe operation guidelines described.
2. The equipment used for lifting mentioned in these instructions are only given as reference, the standards concerning strength, control and other details are based on the respective applicable guidelines.

■ Safety Aspects when Lifting with Cables or Straps

Abide by the following steps when lifting:

1. Do not lift loads that exceed the maximum load capacity of the crane.
2. Choose correct equipment suitable to the weight, size and form of the load.
3. First assess the center of gravity of the load, position the hook directly over the load and lift the load so that the center of gravity of the load is as low as possible.
4. The steel cables or straps must be fixed in the middle of the hook.
5. The load must be lifted vertically from the ground.
6. Do not enter the working area under suspended loads and do not move the load over people. The load must only be moved in an area where the balance can be easily maintained.

■ Lifting Procedure for the Excavator



WARNING

To avoid personal injury or death:

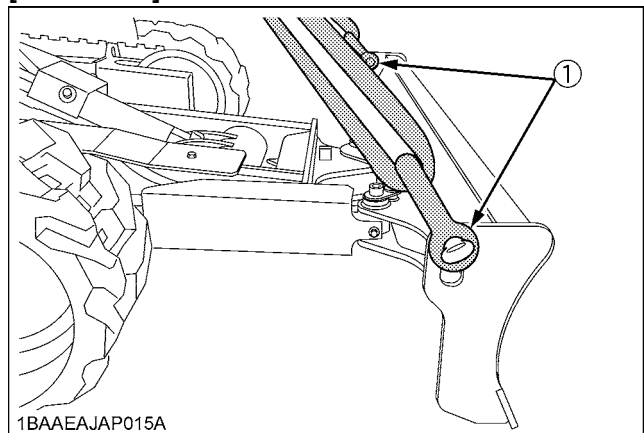
- Do not use the hooks on the roof of canopy and CAB for lifting the excavator.
- When applying the shackles through the boom's and blade's openings for lifting, be sure to do two-point lifting for added safety.
- Never lift the machine with the angle blade placed at an angle. (Angle blade type)

◆ General guidelines for lifting

1. Lifting position. (see illustration below)
 - (1) Rotate the upper swivel structure until the blade positions itself 180-degree opposite the attachment.
 - (2) Raise the blade all the way.

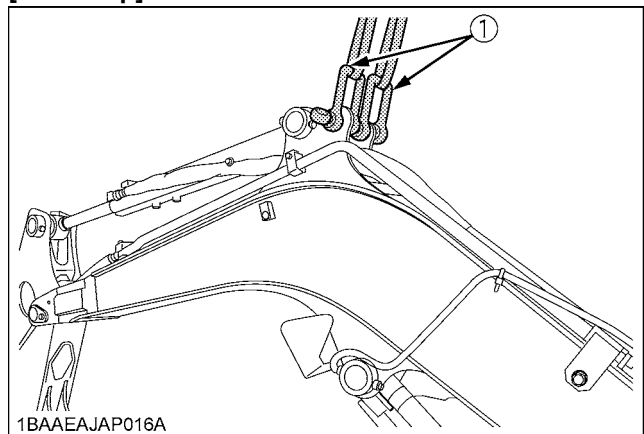
- (3) Raise the boom and get the bucket and arm in their crowded position. Next set the pilot control lock lever to the "LOCKED" position.
- (4) With the boom not swinging, set the swing pedal to the neutral position, place the pedal cover and stop the engine.
- (5) Apply shackles (3200 kg or heavier-duty) through the openings at both ends of the blade. And apply shackles (2000 kg or heavier-duty) through the two openings at the boom top. Pass wire ropes through these shackles.

[Blade ends]



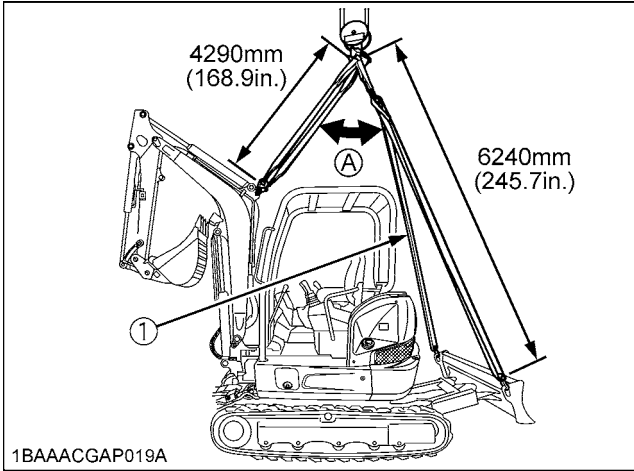
(1) Shackle

[Boom top]



(1) Shackle

2. Attaching the steel cables or straps.
 - (1) Always hook the excavator at three points. (one on the boom and left and right of the dozer)
 - (2) Always use a shackle on each lifting hole when attaching the cables or straps.
 - (3) Keep the angle between the front and rear cables or straps within 19° (0.33 rad.).



(1) Cable or strap (A) 19° (0.33 rad.) or less

NOTE :

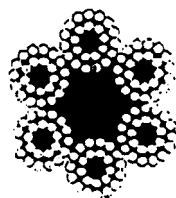
- While lifting, carefully keep the machine well balanced with its center of gravity in mind.
- Do not lift the machine with the boom swinging or the upper structure swiveling.

3. Tackle

The weights of the excavators and the recommended tackle for lifting these loads are mentioned in the following table. Choose components having enough strength.

	CANOPY	CAB
Excavator Weight*	3530 kg (7780 lbs)	3675 kg (8105 lbs)
Load / Cable	9100 N (2050 lbs)	
Minimum Wire Diameter (Safety factor=6)	12.5 mm (1/2 in.) or more	

*Excavator Weight: With Angle blade, steel tracks.
Steel wire: 6X24



1AAABANAP034A

4. Lifting

- (1) Lift slowly and safely
- (2) Do not enter the excavator area when lifting.
- (3) Lift the excavator horizontally. (Modify cable or strap connections according to needs)

Maximum strength

for example : (JIS G 35 25) - "6 x24"

Diameter	zinc-plated	not zinc-plated
10 mm (3/8)	45.8 KN (10296 lbs)	49.3 KN (11083 lbs)
12.5 mm (1/2)	71.5 KN (16074 lbs)	77 KN (17310 lbs)
14 mm (9/16)	89.7 KN (20165 lbs)	96.6 KN (21717 lbs)
16 mm (5/8)	117 KN (26303 lbs)	126 KN (28326 lbs)
18 mm (45/64)	148 KN (33272 lbs)	160 KN (35969 lbs)

MAINTENANCE

MAINTENANCE INTERVALS

No.	Check points		Measures	Hour meter indicator										Interval	Ref. page		
				50	100	150	200	250	300	350	400	450					
1	Coolant		check	Daily check											58		
			change												every 2 years	76	
2	Fuel		check	Daily check											58		
3	Engine oil		check	Daily check											59		
			change												every 500 hrs or every 1 year	70	
4	Hydraulic oil		check	Daily check											59		
			change												every 1000 hrs	73	*1
5	Grease front attachments	Bucket and bucket link pin / Dozer angle pin and angle cylinder boss	-	Daily check											61		
		Boom swing fulcrum	-	Daily check											62		
		Others	-	Daily check											61		
6	Radiator and oil cooler		check	Daily check											60		
7	Washer liquid		check	Daily check											61		
8	Engine and electrical wiring		check	Daily check											61		
9	Fuel tank, Water separator		drain	○	○	○	○	○	○	○	○	○	○	every 50 hrs	63,63		
10	Battery condition		check	○	○	○	○	○	○	○	○	○	every 50 hrs	64			
11	Greasing swing bearing teeth		-	○	○	○	○	○	○	○	○	○	every 50 hrs	65			
12	V-belt tension		check	Daily check											60		
			adjust				○						○	every 200 hrs	66		
			replace												every 500 hrs	72	
13	Radiator hoses and clamps		check				○					○	every 200 hrs	67			
			replace											every 2 years	76		
14	Air filter element	Outer element	clean				○					○	every 200 hrs	67	*2	@	
		Inner element	replace										every 1000 hrs	75	*2		
			replace											every 1000 hrs	75		*2
15	Greasing swing ball bearing		-				○					○	every 200 hrs	67			
16	Fuel filter cartridge		replace										every 500 hrs	72		@	
17	Engine oil filter		replace										every 500 hrs or every 1 year	71			
18	Drive unit oil		change	●									every 500 hrs	71			
19	Breather filter		replace										every 500 hrs	72			
20	Hydraulic return filter element		replace					●					every 500 hrs	72			
21	Hydraulic suction filter element		replace										every 1000 hrs	73			
22	Filter in the pilot hydraulic system		replace										every 1000 hrs	73			
23	Fuel injection nozzle injection pressure		check										every 1500 hrs	75	*4	@	
24	Front idler and track roller oil		change										every 2000 hrs	75			
25	Alternator and starter motor		check										every 2000 hrs	75			
26	Injection pump		check										every 3000 hrs	75	*4	@	
27	Radiator system		rinse										every 2 years	76			
28	Fuel line and Intake air line		check				○					○	every 200 hrs	68		@	
			replace										every 2 years	77	*3		

* 500 thru 1000 continued to the following table.

No.	Check points		Measures	Hour meter indicator							Interval	Ref. page						
				500	550	600	650	700	750	800					1000			
1	Coolant		check	Daily check								58						
			change									every 2 years	76					
2	Fuel		check	Daily check								58						
3	Engine oil		check	Daily check								59						
			change	○								every 500 hrs or every 1 year	70					
4	Hydraulic oil		check	Daily check								59						
			change								○	every 1000 hrs	73	*1				
5	Grease front attachments	Bucket and bucket link pin / Dozer angle pin and angle cylinder boss	-	Daily check								61						
		Boom swing fulcrum	-	Daily check								62						
		Others	-	Daily check								61						
6	Radiator and oil cooler		check	Daily check								60						
7	Washer liquid		check	Daily check								61						
8	Engine and electrical wiring		check	Daily check								61						
9	Fuel tank, Water separator		drain	○	○	○	○	○	○	○	○	○	every 50 hrs	63,63				
10	Battery condition		check	○	○	○	○	○	○	○	○	○	every 50 hrs	64				
11	Greasing swing bearing teeth		-	○	○	○	○	○	○	○	○	○	every 50 hrs	65				
12	V-belt tension		check	Daily check								60						
			adjust			○					○	○	every 200 hrs	66				
			replace	○									○	every 500 hrs	72			
13	Radiator hoses and clamps		check			○					○	○	every 200 hrs	67				
			replace											every 2 years	76			
14	Air filter element	Outer element	clean			○						○	○	every 200 hrs	67	*2	@	
		Inner element	replace										○	every 1000 hrs	75	*2		
			replace											○	every 1000 hrs	75		*2
15	Greasing swing ball bearing		-			○						○	○	every 200 hrs	67			
16	Fuel filter cartridge		replace	○									○	every 500 hrs	72		@	
17	Engine oil filter		replace	○									○	every 500 hrs or every 1 year	71			
18	Drive unit oil		change	○									○	every 500 hrs	71			
19	Breather filter		replace	○									○	every 500 hrs	72			
20	Hydraulic return filter element		replace	○									○	every 500 hrs	72			
21	Hydraulic suction filter element		replace										○	every 1000 hrs	73			
22	Filter in the pilot hydraulic system		replace										○	every 1000 hrs	73			
23	Fuel injection nozzle injection pressure		check											every 1500 hrs	75	*4	@	
24	Front idler and track roller oil		change											every 2000 hrs	75			
25	Alternator and starter motor		check											every 2000 hrs	75			
26	Injection pump		check											every 3000 hrs	75	*4	@	
27	Radiator system		rinse											every 2 years	76			
28	Fuel line and Intake air line		check			○							○	○	every 200 hrs	68		@
			replace													every 2 years	77	*3

◆ Air-conditioner

No.	Check points	Measures	Hour meter indicator								Interval	Ref. page				
			50	100	150	200	250	300	350	400					450	
1	Air filter	clean				○					○		every 200 hrs	69	*2	
		replace											every 1000 hrs	-	*2	
2	Air conditioner condenser	clean				○					○		every 200 hrs	69		
3	Air conditioner pipes and hoses	check											every 1 year	75		
		replace											every 2 years	75		
4	Refrigerant (gas)	check											service as required	77		

No.	Check points	Measures	Hour meter indicator								Interval	Ref. page				
			500	550	600	650	700	750	800	1000						
1	Air filter	clean			○						○	○	every 200 hrs	69	*2	
		replace										○	every 1000 hrs	-	*2	
2	Air conditioner condenser	clean			○						○	○	every 200 hrs	69		
3	Air conditioner pipes and hoses	check											every 1 year	75		
		replace											every 2 years	75		
4	Refrigerant (gas)	check											service as required	77		

IMPORTANT :

● First operation

*1 When using a hydraulic hammer, change hydraulic oil and return filter according to the table on "Hydraulic Oil Change (Including Exchange of the Suction Filter in the Hydraulic Tank) under "EVERY 1000 SERVICE HOURS" in the chapter "REGULAR CHECKS AND MAINTENANCE WORK".

*2 Clean and replace the air filter more frequently if used under dusty conditions. When the filter is very dirty from dusty conditions, replace the filter.

*3 Replace only if necessary.

*4 Consult your local KUBOTA dealer for this service.

● The items listed above (@ marked) are registered as emission related critical parts by KUBOTA in the U.S.EPA non-road emission regulation. As the engine owner, you are responsible for the performance of the required maintenance on the engine according to the above instruction. Please see the warranty Statement in detail.

OPENING AND CLOSING OF COVERS

■ Opening/Closing of the Engine Hood

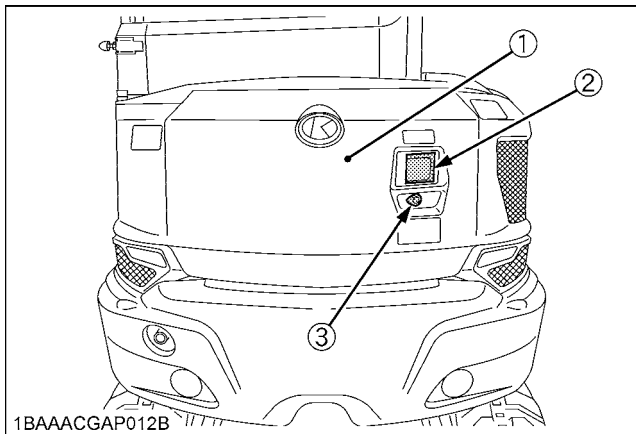


WARNING

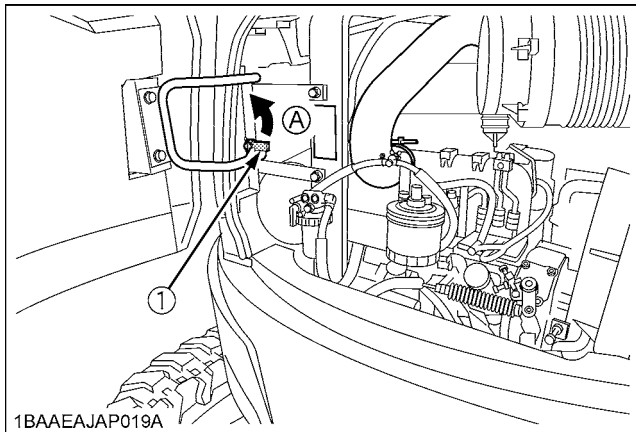
To avoid personal injury or death:

- Do not open the engine hood with the engine running unless in an emergency.
- Do not touch the exhaust muffler or the exhaust pipe; serious burns can occur.

Insert the key into the key slot and turn it clockwise to unlock it. And pull the catch to open the hood. Lift the stopper up and close the engine hood. Turn the key counterclockwise to lock the hood.



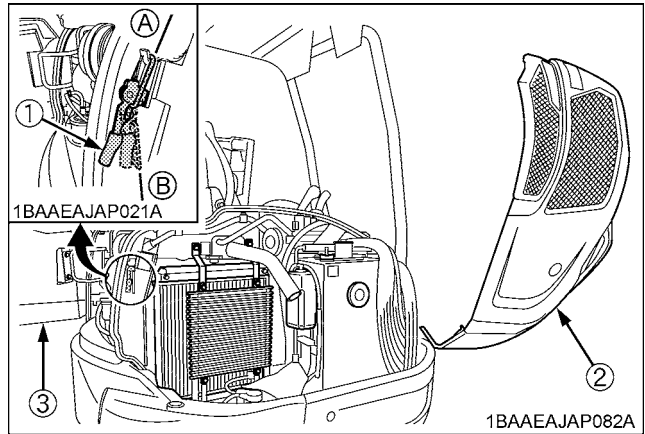
- (1) Engine hood
- (2) Catch
- (3) Key hole



- (1) Stopper
- (A) Lift up

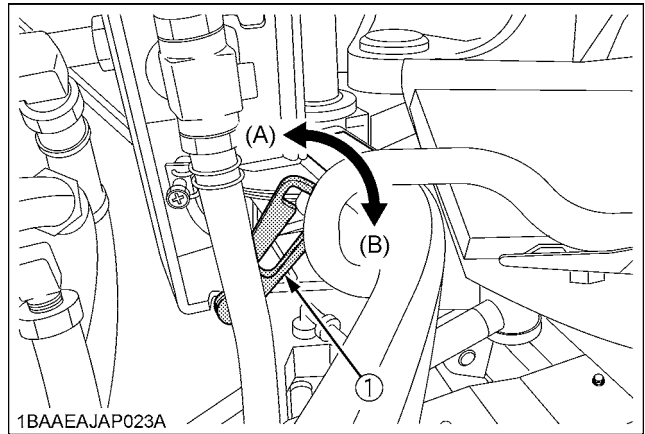
■ Opening/Closing of the Side Cover

1. Open the engine hood first.
2. Raise the catch lever to unlock the side cover.
3. Push the side cover all the way forward, and it will be held by a stopper.



- (1) Catch lever
- (2) Side cover
- (3) Engine hood
- (A) "Locked"
- (B) "Unlock"

4. To close the side cover, hold it up a little more, and pull the stay to get it unlocked. Lower the side cover until clicks into its closed position.



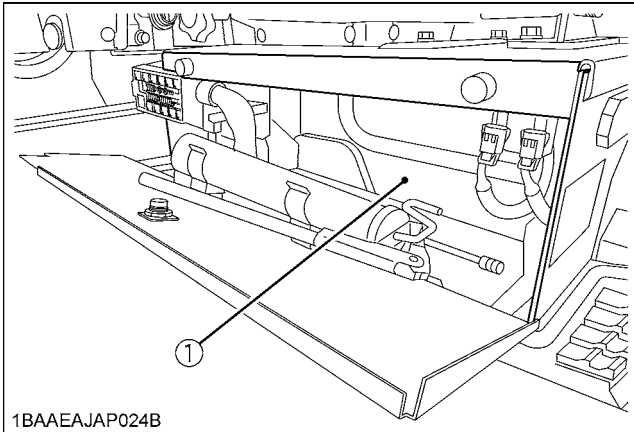
- (1) Stay
- (A) "Unlock"
- (B) "Locked"

5. Pull down the catch lever to lock the side cover.

Where to store the Tool

[CANOPY type]

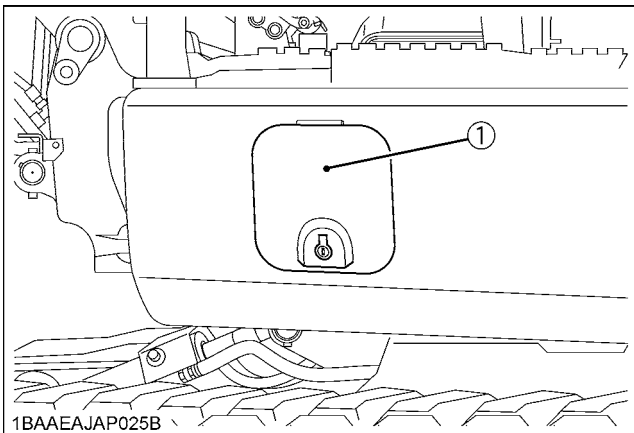
The tool box is located under the seat.



(1) Box for storage

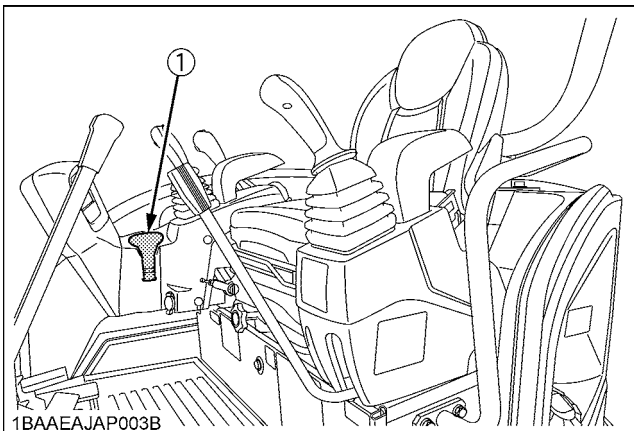
[CAB type]

The tool box is located under the CAB door.



(1) Box for storage

Cup Holder

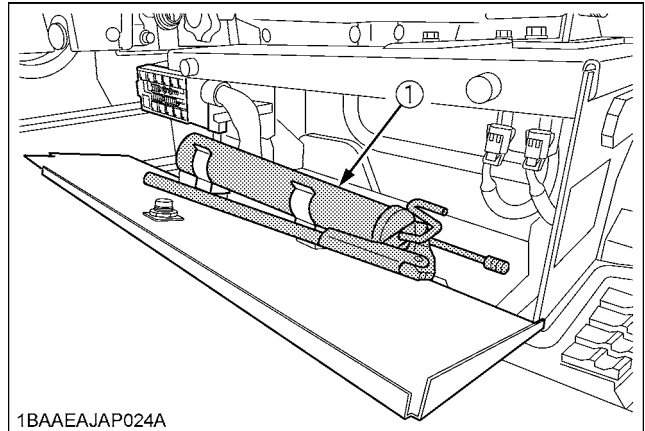


(1) Cup holder

Where to store the Grease Gun

[CANOPY type]

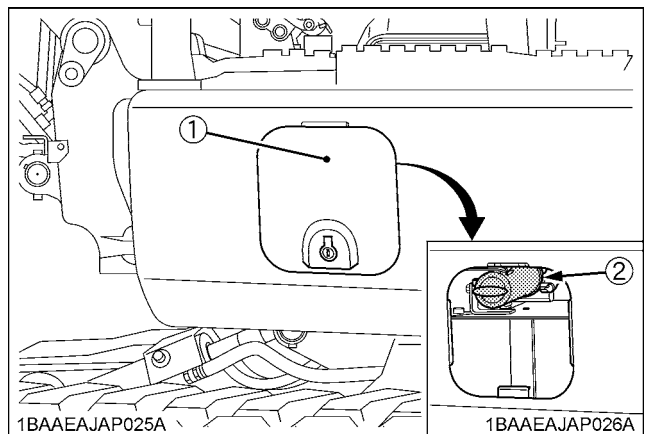
The grease gun is located under the seat.



(1) Grease gun

[CAB type]

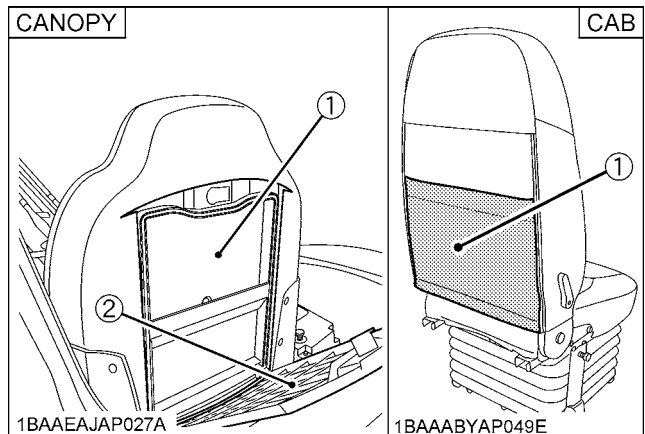
The grease gun is located under the CAB door.



(1) Cover

(2) Grease gun

Where to keep Operator's Manual



(1) Operator's manual storage

(2) Rear cover

DAILY CHECKS



WARNING

To avoid personal injury or death:

- When operating, keep hands and body inside of the ROPS / OPG (Top Guard Level I) protective envelope.
- Do not touch the control levers and the pedals from outside the cab while the engine is running.

For your own safety and to assure the long life of your machine, a careful check should be made before each operation.

■Checking Coolant Level



WARNING

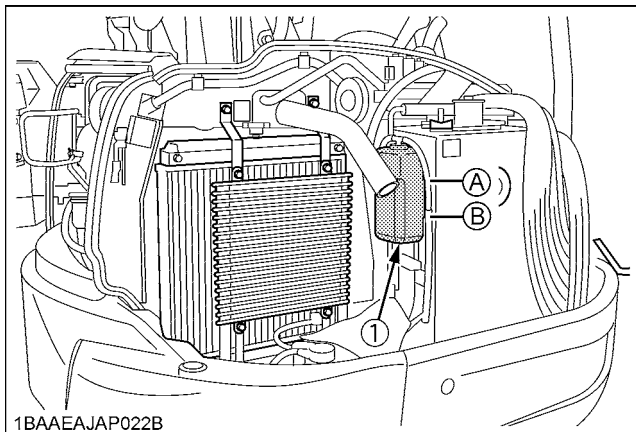
To avoid personal injury or death:

- Move the excavator to even ground.
- Make sure that the engine is turned off.
- Do not open the radiator cap right after the engine has been stopped; Serious burns can occur from contact with escaping hot coolant fluid.
- Check the coolant level in the recovery tank only after the engine has cooled down.
- Remove the radiator cap only if absolutely necessary.

The radiator has a recovery tank. Should the coolant level in the radiator sink, the water will be automatically be forwarded to the radiator.

Open the side cover. (See "Opening / Closing of the Side Cover" in "OPENING AND CLOSING OF COVERS" section.)

Check the coolant level in the recovery tank and fill up if necessary. The coolant level should be between the marks "FULL" and "LOW".



1BAAEA JAP022B

(1) Recovery tank (A) "FULL" (B) "LOW"

IMPORTANT :

- Do not fill the recovery tank over the "FULL" marking.
- Do not fill with dirty or salty water.

■Checking Fuel Level



WARNING

To avoid personal injury or death:

- Stop the engine and remove the key before fuelling.
- Do not smoke while fuelling.

IMPORTANT :

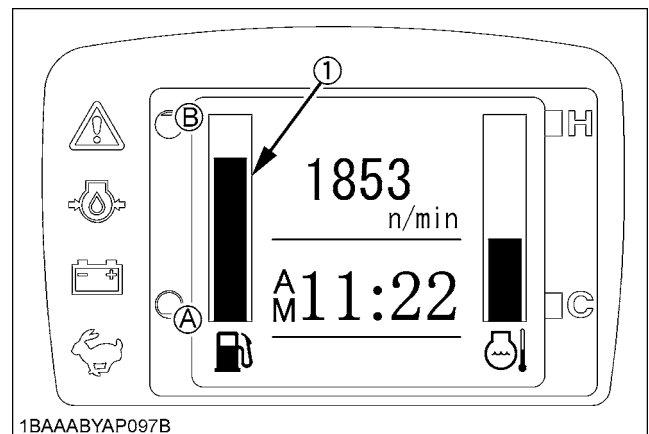
- By temperatures over -5°C , use No.2-D diesel fuel, when temperatures are below -5°C , use No.1-D diesel fuel.
- Make sure that the fuel tank is not run empty. Air will enter the fuel system, and must be purged before restarting.
- See "PURGING OF THE FUEL SYSTEM" in "OTHER ADJUSTMENTS AND REPLACEMENTS" section.
- To prevent condensation (water) accumulations in the fuel tank, fill the fuel into the tank before parking overnight.

1. Turn the starter key to the position "RUN".

NOTE :

- Even with the starter key not yet inserted, press the electronic meter's user setting switch or the display selector switch, and the LCD shows the hour meter, fuel gauge, water temperature gauge and clock for 10 seconds.

2. Check the fuel level by the fuel level indicator.



(1) Fuel gauge (A) "EMPTY" (B) "FULL"

3. If necessary, open the cap and fill in fuel. (See "LCD for Normal Operation" in "CHECK BEFORE START" section.)

Fuel tank capacity	45.1 L (11.9 US gal)
--------------------	----------------------

■Checking Engine Oil Level

WARNING

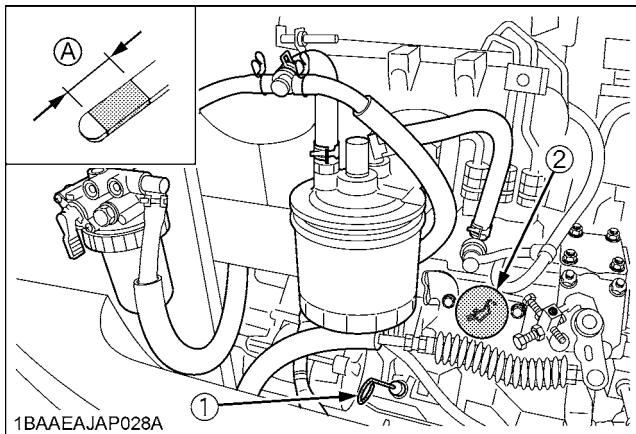
To avoid personal injury or death:

- Stop the engine and remove the key before checking the oil level.

IMPORTANT :

- Use engine oil with the correct viscosity. (according to the outside temperature)
- After stopping the engine and remove the key, wait 5 minutes, then check oil level. (Excavator must be on level ground.)

Insert the engine oil dipstick fully into the prepared opening, remove again and check the oil level; if necessary fill with oil. The machine must be on level ground when checking the oil level.



(1) Engine oil dipstick (A) Required oil level range
(2) Oil filling port

■Checking Hydraulic Oil Level

WARNING

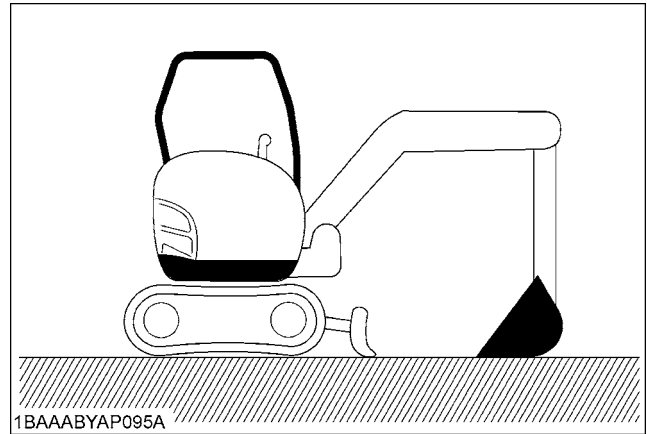
To avoid personal injury or death:

- Stop the engine and remove the key before checking the oil level.

IMPORTANT :

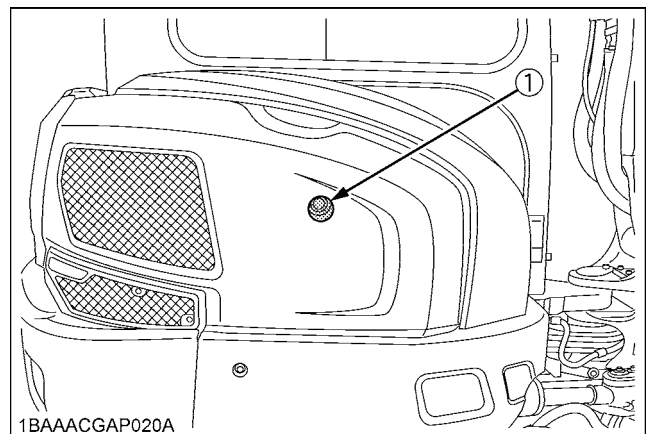
- Before filling oil, wipe away all sand and dust from around the oil port. Make sure to use an identical type of hydraulic fluid.
- The excavator has been filled with hydraulic fluid before delivery. See "RECOMMENDED OILS" section. (Do not mix different oils.)

1. Park the excavator on a firm, flat and level surface. Lower the attachments and dozer blade to the ground and stop the engine.

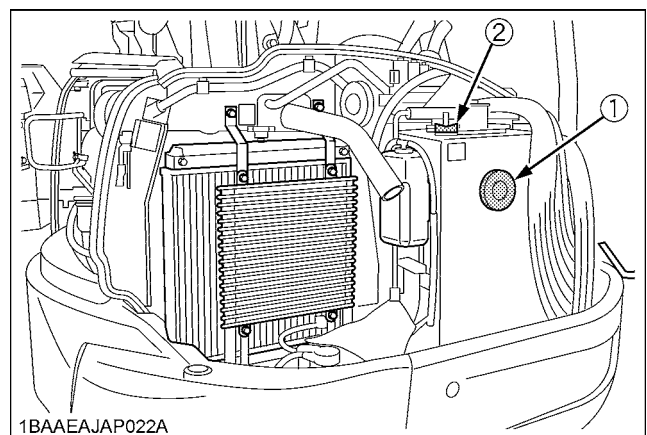


1BAABYAP095A

2. Check the oil level as to whether it lies on the center of the gauge at normal temperature (10 to 30 °C (50 to 80 °F)).
3. Enough oil is present when oil is at center mark.
4. Should the oil level be too low, loosen the oil filling plug gradually to release pressure in the tank, then fill up with oil at oil fill port.



(1) Gauge



1BAAEAJP022A

(1) Gauge
(2) Oil filling plug

■ Checking V-belt



WARNING

To avoid personal injury or death:

- Stop the engine and remove the key before checking the V-belt.
- Check the V-belt for cracks and proper tension. (See "Adjusting V-belt Tension" in "REGULAR CHECKS AND MAINTENANCE WORK" section.)

■ Checking Radiator and Oil Cooler



WARNING

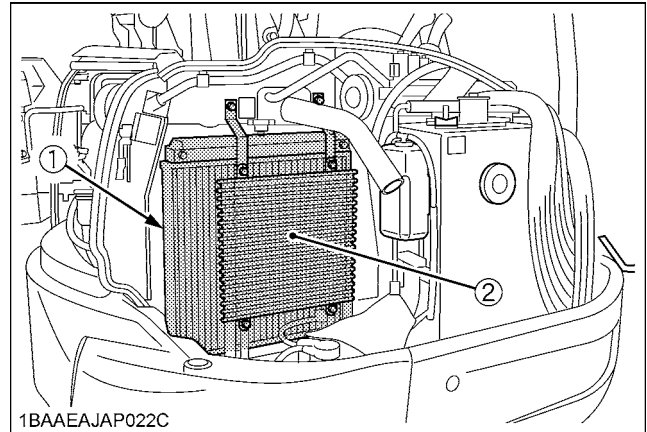
To avoid personal injury or death:

- Always stop the engine and remove the key before checking the radiator.
- Wear eye protection when cleaning with compressed air.
- Replace all water hoses every two years.
- Inspect all water hoses daily.

Have the excavator repaired immediately if any of the following defects are discovered. (Such defects may cause burns or injury. They may also cause engine failure or serious engine damage.)

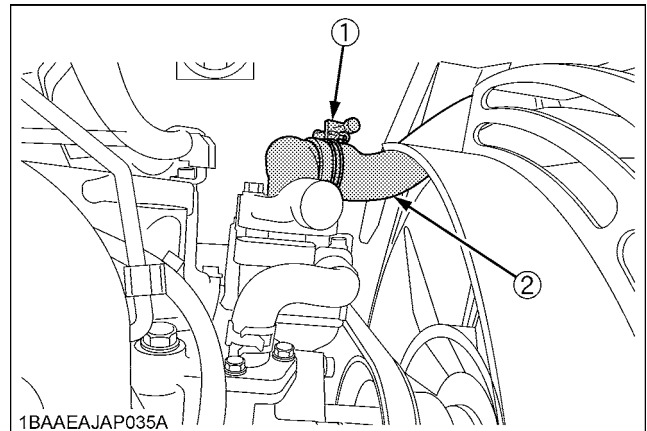
- Scratches, cracks or swelling in water hoses.
- Water leaks at joints or connecting points.
- Missing or damaged water hose protective sleeve or grommet.
- Loose mounting bolt, damaged bracket.
- Do not touch the water hoses or the heater with your hand. You may get burned.
- If the window fails to defrost in extreme conditions or becomes cloudy when dehumidifying the CAB, remove moisture with soft cloth.
- Never block all of the air outlets, system malfunction may occur.

1. Check to see if the fins are clogged with dirt. If so, remove the dirt using compressed air or a hose. When cleaning, wear eye protection.
2. Check the rubber hoses for damage and replace if cracked or old. Check if the hose clamps are tight enough.



1BAAEAJAP022C

- (1) Radiator
(2) Oil cooler



1BAAEAJAP035A

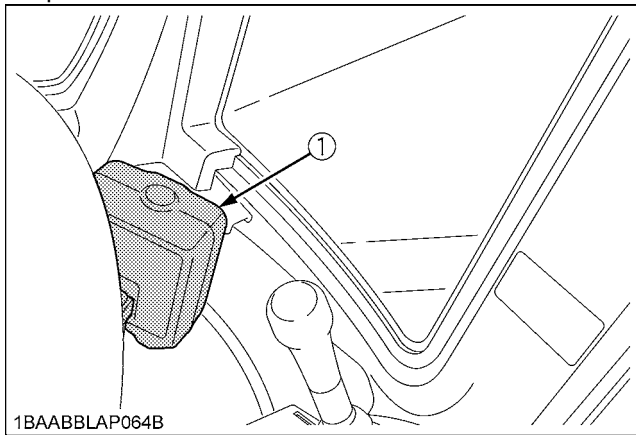
- (1) Hose clamp
(2) Rubber hose

IMPORTANT :

- Radiator and oil cooler fins and ribs must be clean in order to avoid overheating the engine and to allow free flow of air through the cooling elements.
- Pressure of compressed air must be under 205 kPa (2.1 kgf.cm², 30 psi)

■Checking Washer Liquid

If the windows washer is switched on with the washer liquid tank empty, the motor may be damaged. Always keep the tank filled.



(1) Washer liquid tank

■Checking and Cleaning Engine and Electrical Wiring

⚠ WARNING

To avoid personal injury or death:

- Always stop the engine and remove the key before cleaning the wiring, cables and engine.

Before starting, check whether flammable substances have gathered on the battery, the cables and wiring, the muffler or on the engine. Remove thoroughly.

Check the electrical circuitry for disconnections, shorts or loose terminals.

■Washing Whole Machine

IMPORTANT :

- Do not wash the excavator with the engine running. Water could enter the air filter and damage the engine. Make sure that the air filter is kept dry.
- Remove the mud before washing the machine.

■Greasing Front Attachments (without Bucket Pin and Boom Swing Fulcrum)

⚠ WARNING

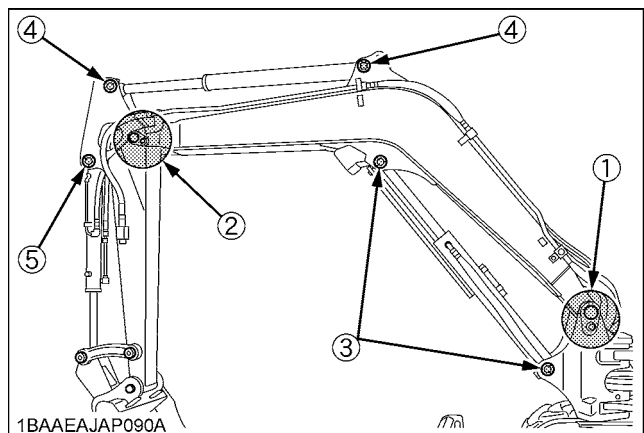
To avoid personal injury or death:

- First lower all attachments on the ground then stop the engine and remove the key.
- While greasing, take care not to step on the bucket teeth.

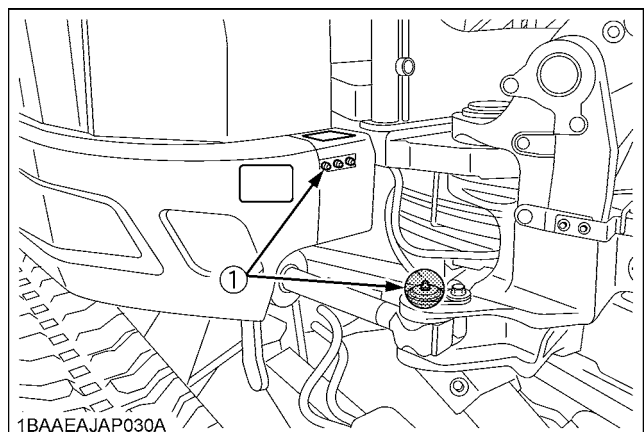
IMPORTANT :

- When doing excavation work in water, generously grease the following points. After ending work, grease again.

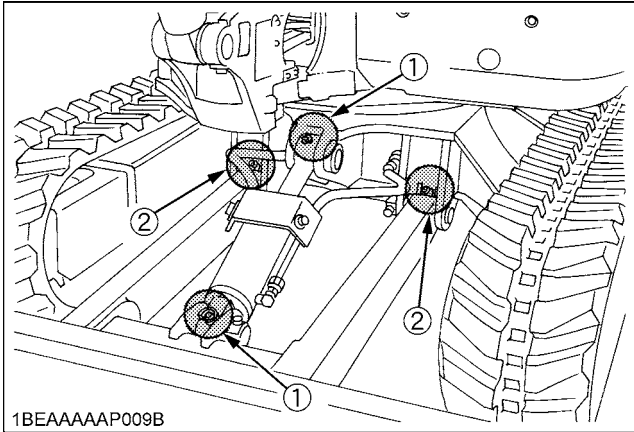
Grease the marked grease fittings shown by arrows in the illustration below.



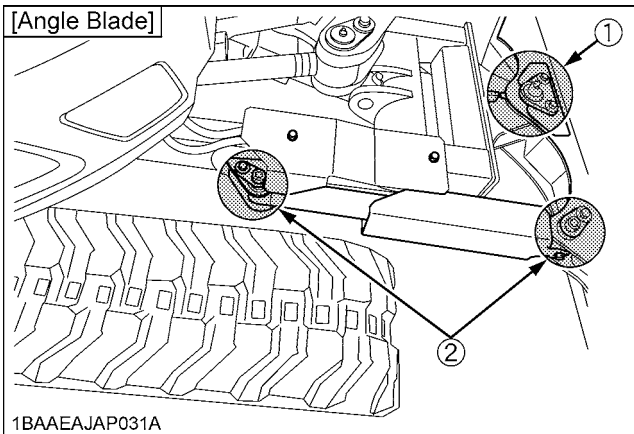
- (1) Boom bottom linkage
- (2) Arm bottom linkage
- (3) Boom cylinder boss
- (4) Arm cylinder boss
- (5) Bucket cylinder boss



(1) Swing cylinder boss



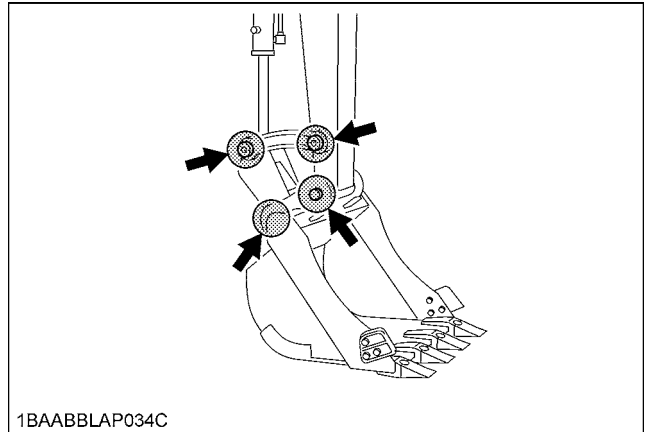
- (1) Dozer cylinder boss
- (2) Dozer linkage pin



- (1) Angle pin
- (2) Angle cylinder boss

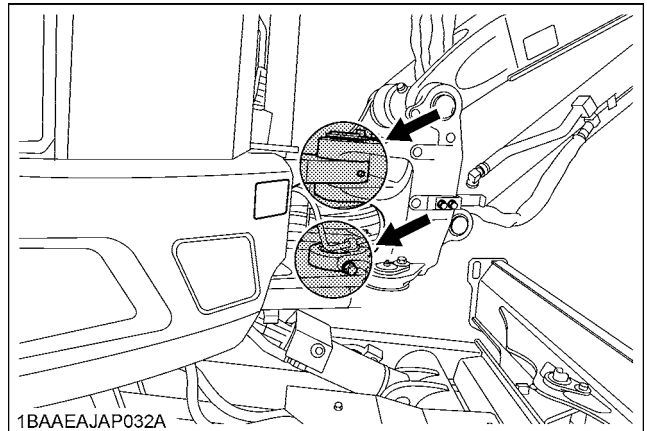
■ Greasing Bucket Pin

Grease the marked grease fittings shown by arrows in the illustration below.



■ Greasing Boom Swing Fulcrum

Grease the marked grease fittings shown by arrows in the illustration below.



REGULAR CHECKS AND MAINTENANCE WORK



WARNING

To avoid personal injury or death:

- When operating, keep hands and body inside of the ROPS/OPG (Top Guard Level I) protective envelope.
- Do not touch the control levers and the pedals from outside the cab during the engine running.

EVERY 50 SERVICE HOURS

■ Draining the Water from the Fuel Tank

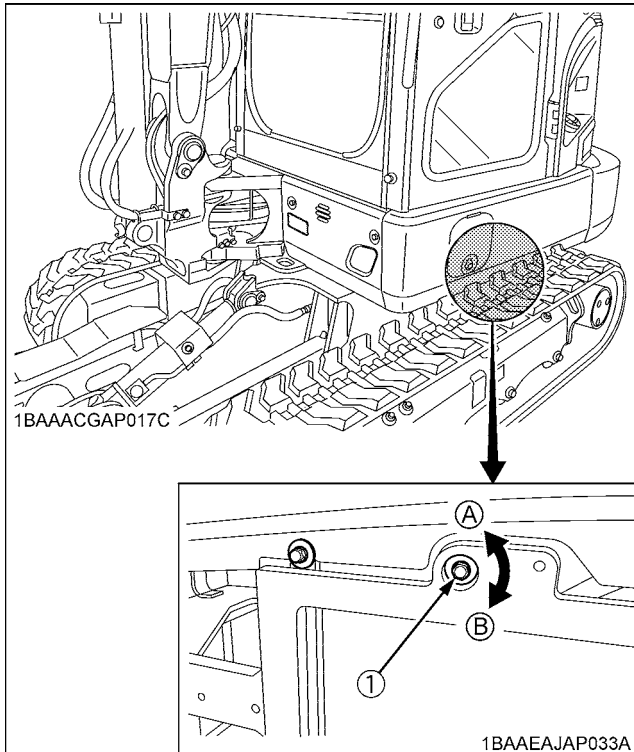


WARNING

To avoid personal injury or death:

- Before draining the water from the fuel tank, be sure to stop the engine and remove the key.
- Do not smoke during inspection.

1. Open the drain plug.



- (1) Drain plug

- (A) Open
(B) Close

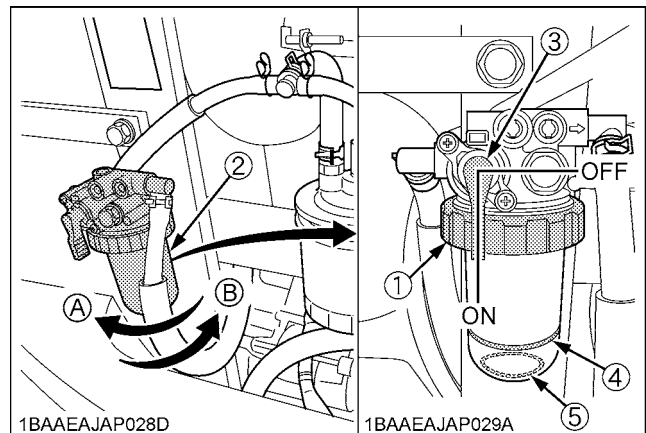
■ Draining Water Separator

[Checking and Draining]

Water and dirt contained in fuel will settle down in the water separator. When such foreign substances are deposited, set the water separator handle to the "OFF" position. Loosen the retainer ring and remove the cup. Then dump water in the cup.

[Cleaning]

1. Set the water separator handle to the "OFF" position.
2. Loosen and remove the cup proper, and clean its inside with light oil.
3. Tighten up the cup proper.



- (1) Retainer ring
- (2) Cup
- (3) Water separator handle
- (4) Line
- (5) Float

- (A) Loosen
(B) Tighten

IMPORTANT :

- As water is collected, the red float goes up. When the float has reached the specified line, immediately drain the water separator.
- In reattaching the water separator, be careful to keep off dust and dirt.
- Be sure to purge the fuel system before getting the machine restarted.
(See "PURGING OF THE FUEL SYSTEM" in "OTHER CHECKS AND REPLACEMENTS" section.)

■ **Checking Battery Condition**

! DANGER

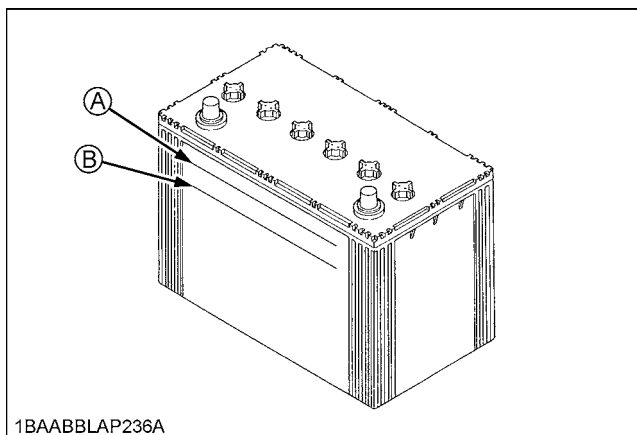
To avoid the possibility of a battery explosion:
For refillable type battery, follow the instructions below.

- Do not use or charge the refillable type battery if the fluid level is below the LOWER (lower limit level) mark. Otherwise, the battery component parts may prematurely deteriorate, which may shorten the battery's service life or cause an explosion. Check the fluid level regularly and add distilled water as required so that the fluid level is between the UPPER and LOWER levels.

! WARNING

To avoid personal injury or death:

- Never remove the vent caps while the engine is running.
- Keep electrolyte away from eyes, hands and clothes. If you are splattered with it, wash it away completely with water immediately and get medical attention.
- Wear eye protection and rubber gloves when working around the battery.
- Before inspection or dismantling the battery, be sure to turn off the engine and turn the starter switch to the "OFF" position.
- When removing the battery, always disconnect the negative ground cable first. When installing a battery, always connect the ground cable last. This prevents a possible explosion caused by sparks.
- Always wear eye protection when working with the battery.



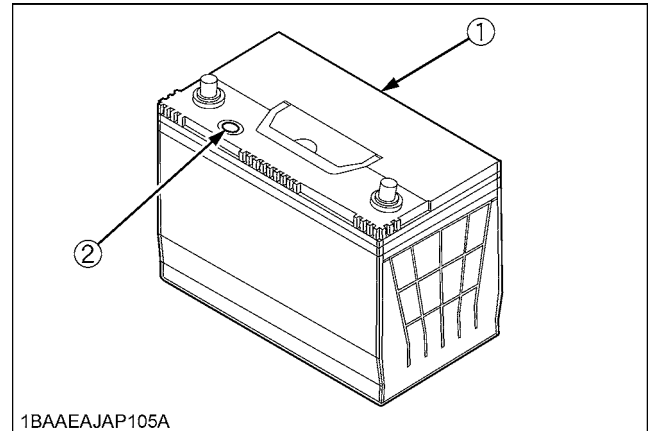
(A) "Upper level"
(B) "Lower level"

In case of non-refillable type, if the indicator turns white, do not quick charge the battery but replace it with new one.

Mishandling the battery shortens the service life and adds to maintenance costs.

A non-refillable type battery is maintenance free, but needs some servicing.

If the battery is weak, the engine will be difficult to start and the lights will be dim. It is important to check the battery periodically.



(1) Battery
(2) Indicator

◆ **How to read the indicator**

Check the battery condition by reading the indicator.

State of indicator display	
Green	Specific gravity of electrolyte and quality of electrolyte are both in good condition.
Black	Needs charging battery.
White	Needs replacing battery.

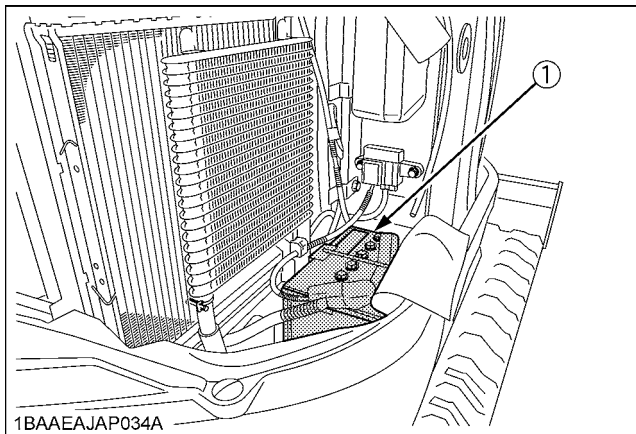
◆ Battery Charging



WARNING

To avoid personal injury or death:

- When the battery is being activated, hydrogen and oxygen gases in the battery are extremely explosive. Keep open sparks and flames away from the battery at all times, especially when charging the battery.
- When charging the battery, remove battery vent plugs. (if equipped)
- When disconnecting the cable from the battery, start with the negative terminal first. When connecting the cable to the battery, start with the positive terminal first.
- Never check battery charge by placing a metal object across the posts. Use a voltmeter or hydrometer.



(1) Battery

1. To slow charge the battery, connect the battery positive terminal to the charger positive terminal and the negative to the negative, then recharge in the standard fashion.
2. A boost charge is applied only to refillable type and is only for emergencies. It will partially charge the battery at a high rate and in a short time. When using a boost-charged battery, it is necessary to recharge the battery as early as possible. Failure to do this will shorten the battery's service life.
3. The battery is charged if the indicator display turns green from black.
4. When exchanging an old battery for a new one, a battery of equal specification.

Battery Type	Volts (V)	Capacity
GP24 (80D26R)	12	55 (at 5H.R(A.H))

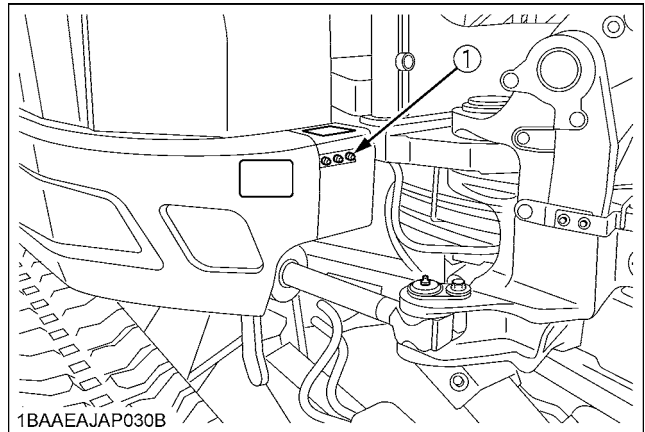
Battery Type	Reserve Capacity (min)	Cold Cranking Amps	Normal Charging Rate (A)
GP24 (80D26R)	133	582	6.5

◆ Direction for Storage

1. When storing the machine for long periods of time, remove the battery from machine, adjust the electrolyte to the proper level and store in a dry place out of direct sunlight.
2. The battery self-discharges while it is stored. Recharge it once every three months in hot seasons and once every six months in cold seasons.

■ Greasing Swing Bearing Teeth

1. Pump grease with the grease gun through the grease fitting.
2. Grease at each 90° (1.58 rad.) position of the swing frame.
3. Fill with approx. 50g of grease (approx. 20 to 30 pumps with the grease gun at each position). Distribute the grease over the teeth.



(1) Grease fitting (for swing bearing teeth)

EVERY 200 SERVICE HOURS

Do all 50 and 100 hour servicing at the same time.

■ Adjusting V-belt Tension



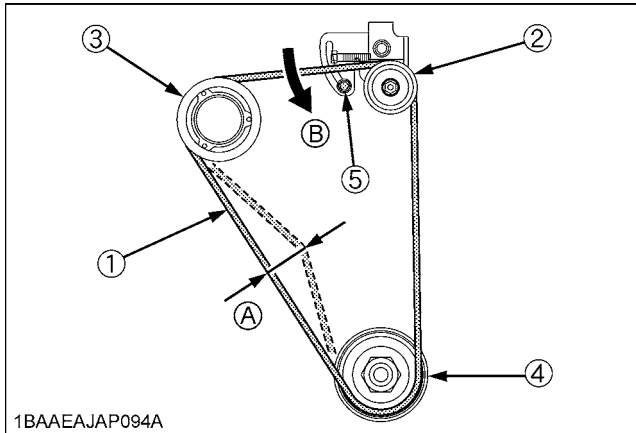
WARNING

To avoid personal injury or death:

- First stop the engine and remove the key.
- After servicing, make sure to replace the belt cover in its original position.

◆ Checking and adjustment of the air-conditioner belt tension

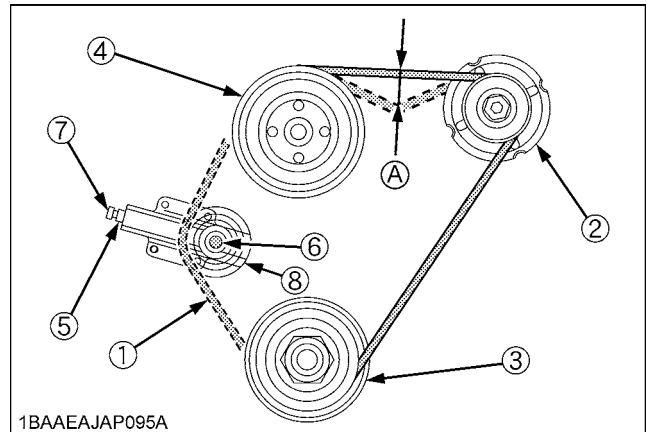
1. Press the air-conditioner belt in the middle, with a force of approx. 58.8 to 68.6 N (6 to 7 kgf ,13.2 to 15.4 lbf). The belt tension is correct if it deflects about 12 to 15 mm (0.47 to 0.59 in.). If otherwise, loosen nut of the tension pulley and the bolt of the tension pulley, then adjust tension pulley in the direction shown by the arrow.
2. Replace the air-conditioner belt if worn out, cracked or torn.



- | | |
|--------------------------------|------------------------------------|
| (1) Air-conditioner belt | (A) 12 to 15 mm (0.47 to 0.59 in.) |
| (2) Tension pulley | (B) Tighten |
| (3) Air-conditioner compressor | |
| (4) Pulley | |
| (5) Bolt | |

◆ Checking and adjustment of the fan belt tension

1. Press the fan belt in the middle, with a force of approx. 58.8 to 68.6 N (6 to 7 kgf ,13.2 to 15.4 lbf). The belt tension is correct if it deflects about 9 to 11 mm (0.35 to 0.43 in.). When adjusting the fan belt, loosen the lock nuts and turn the tension bolt in counterclockwise direction.
2. Replace the fan belt if worn out, cracked or torn. When replacing the fan belt, loosen the tension pulley (8) and alternator (2).



- | | |
|--------------------|-----------------------------------|
| (1) Fan belt | (A) 9 to 11 mm (0.35 to 0.43 in.) |
| (2) Alternator | |
| (3) Pulley | |
| (4) Fan pulley | |
| (5) Lock nut | |
| (6) Lock nut | |
| (7) Tension bolt | |
| (8) Tension pulley | |

IMPORTANT :

- If the engine is run with a loose fan belt, the belt could slip and cause overheating of the engine. Check fan belt tension regularly.
- If the engine is run with a loose fan belt, the belt could slip and cause insufficient battery charging. Check fan belt tension regularly.
- Should the fan belt break or jump off, the indicator light for battery charge will light up. Stop the engine and remove the key immediately.

■ Checking Radiator Hoses and Clamps



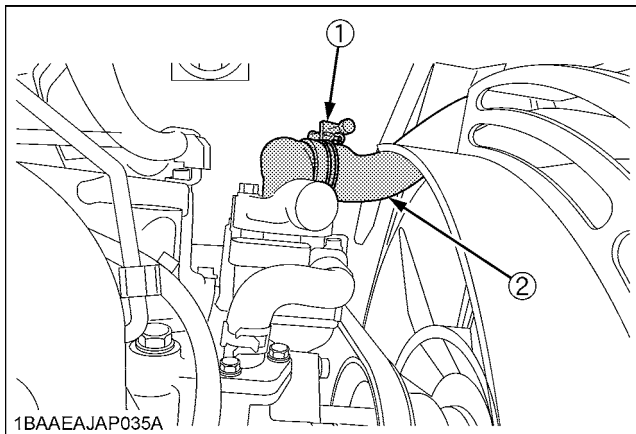
WARNING

To avoid personal injury or death:

- Wait long enough for the radiator coolant to cool down.

Check the coolant hoses for proper connection. This check should be carried out every 200 hours or every 6 months, whichever comes first.

1. Should the hose clamps become loose or coolant leaks, tighten the hose clamps properly.
2. Should the radiator hoses become swollen, aged or cracked, they must be replaced and the hose clamps tightened again properly.



1BAAEA.JAP035A

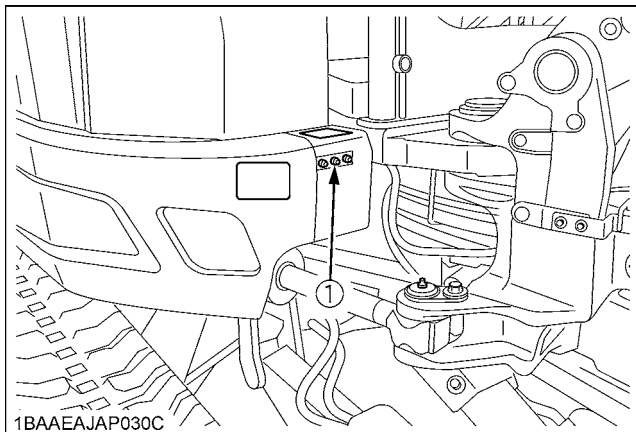
(1) Hose clamp

(2) Radiator hose

■ Grease Swing Ball Bearing

1. Grease through the respective grease fitting. (at the central fitting)
2. Grease at each 90° (1.58 rad.) position of the swing frame.

Using the grease gun, apply 5 shots at every position.



1BAAEA.JAP030C

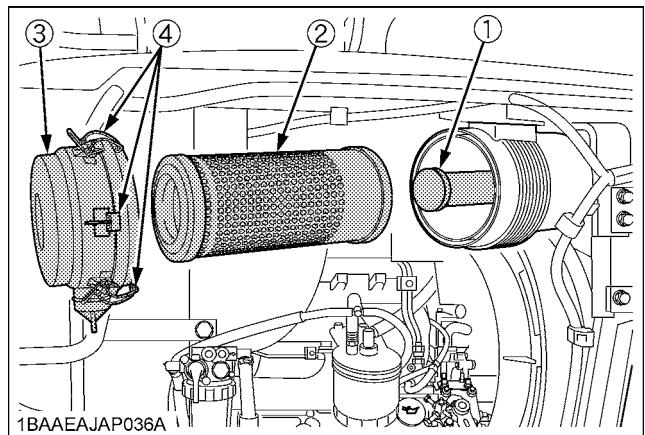
(1) Grease fitting

■ Inspection and Cleaning Air Filter Element

Open the engine hood and remove the dust-cover. Take out only outer element, clean the element, case interior and reassemble. During reassembly, take care to install the dust-cover so that its TOP mark (arrow) faces upwards. Do not remove the inner element.

IMPORTANT :

- Should the machine be used in extremely dusty areas, the air filter element must be inspected and cleaned more frequently than in the specified maintenance periods.
- The air filter has a dry element, keep free from oil.
- Do not run the engine without the air filter.



1BAAEA.JAP036A

- (1) Inner element
- (2) Outer element
- (3) Dust-cover
- (4) Clamps

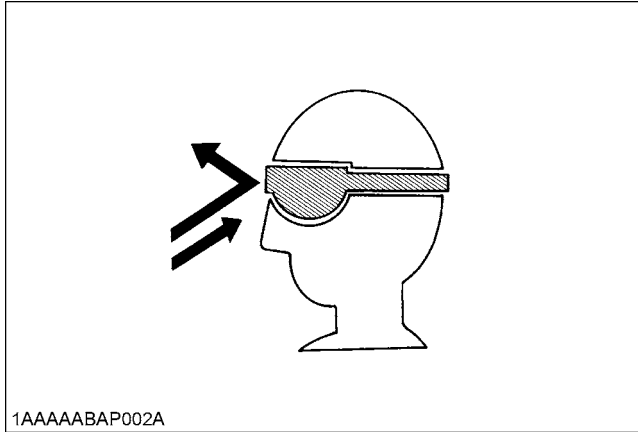
■ Air Filter Maintenance



WARNING

To avoid personal injury or death:

- Wear eye protection.

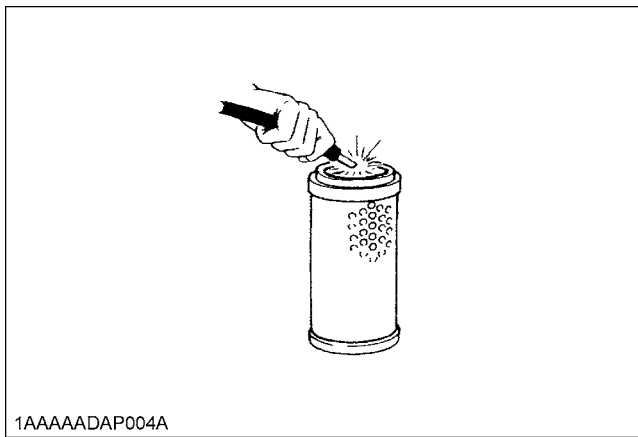


1AAAAABAP002A

The quickest and safest method of maintenance is the exchange of the paper cartridge. Furthermore there are different methods of cleaning the cartridge.

◆ Cleaning with compressed air

Pressure of compressed air must be under 205 kPa (2.1 kgf/cm², 30 psi), and the cartridge should be blown clean from the inside to the outside until the dust deposits are noticeably reduced.



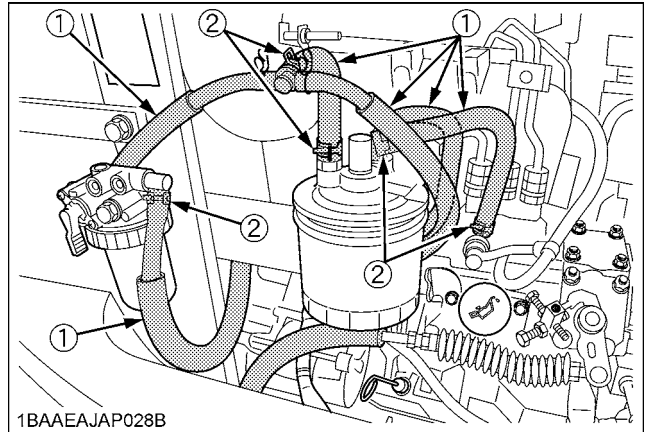
1AAAAADAP004A

IMPORTANT :

- If the air suction is still inadequate, or the color of the exhaust gases is abnormal even after the cleaning, the air filter cartridge must be replaced.

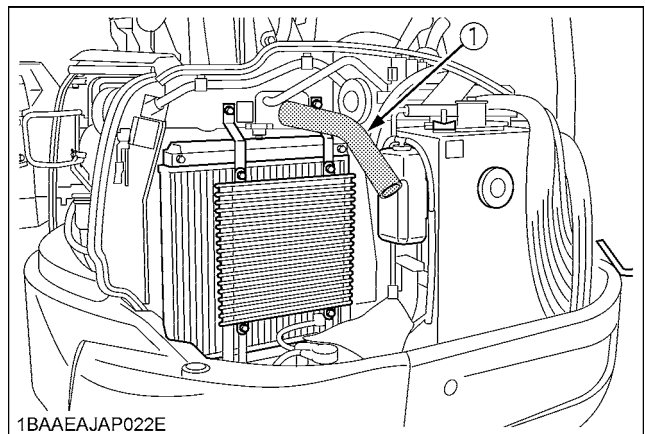
■ Checking Fuel Line and Intake Air Line

1. Check to see that all lines and hose clamps are tightened and not damaged.
2. If hoses and clamps are found worn or damaged, replace or repair them at once.

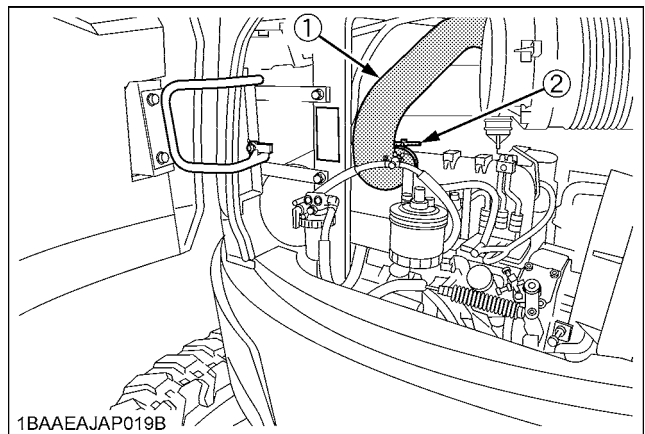


1BAAEAJAP028B

- (1) Fuel lines
- (2) Clamp bands



1BAAEAJAP022E



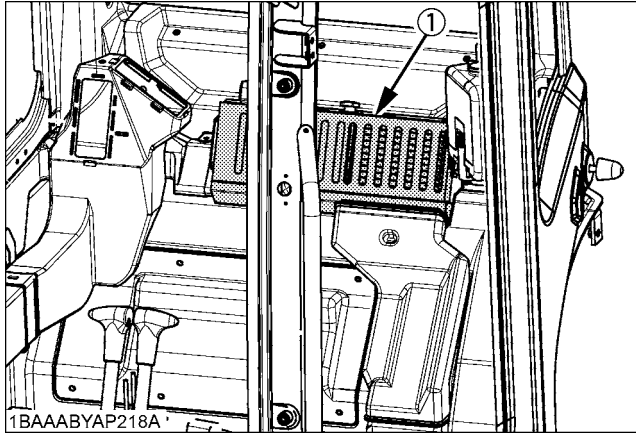
1BAAEAJAP019B

- (1) Hoses
- (2) Hose clamps

AIR CONDITIONER

■ Cleaning Air Filter

Open the cover and remove the filter cover, remove the air filter.



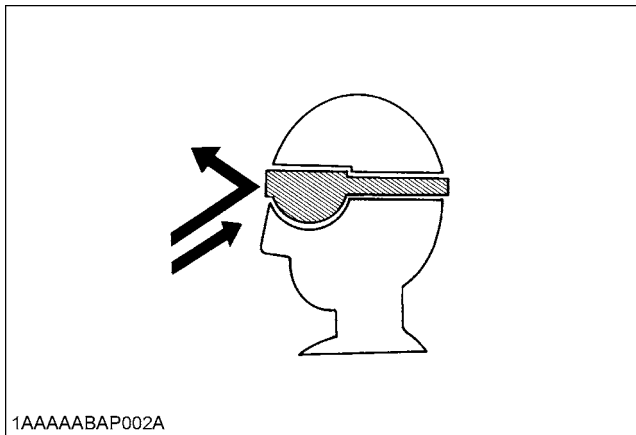
(1) Air filter



WARNING

To avoid personal injury or death:

- Wear eye protection.

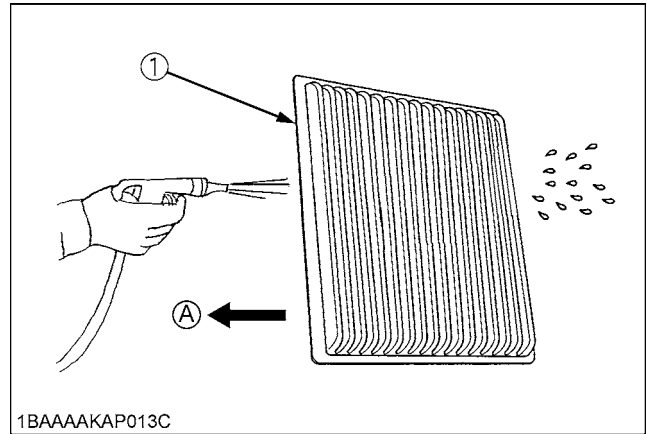


◆ Cleaning the air filter

- Normal use
Blow air from the opposite direction to the filter's normal air flow.

IMPORTANT :

- Do not hit the filter. If the filter becomes deformed, dust may enter into the air-conditioner, which may cause damage and malfunction.



(1) Filter

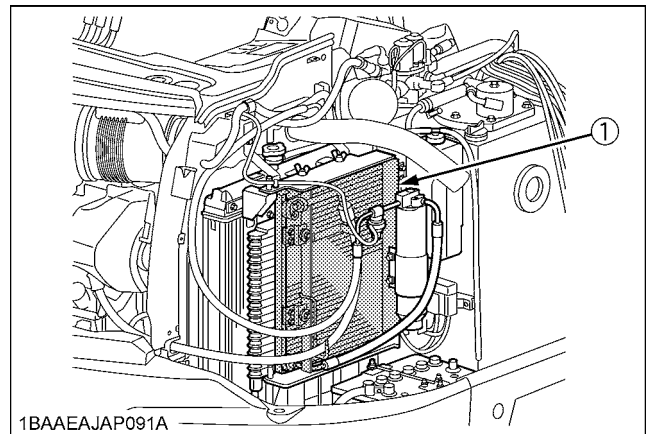
(A) "AIR-CONDITIONER AIRFLOW"

NOTE :

- Pressure of compressed air must be under 205 kPa (2.1 kgf/cm², 30 psi).
- If the filter is very dirty, replace the air filter.

■ Checking Air-Conditioner Condenser

Check air conditioner condenser to be sure it is clean from debris.



(1) Air conditioner condenser

EVERY 500 SERVICE HOURS

Do all 50, 100 and 250 hour servicing at the same time.

■ Changing Engine Oil (Change the engine oil every 500 hours, or every 1 year in the case that service hour is less than 500 hours)

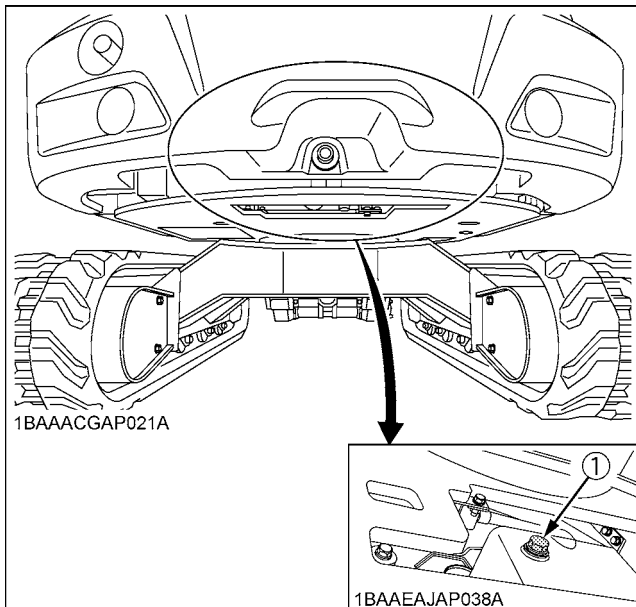


WARNING

To avoid personal injury or death:

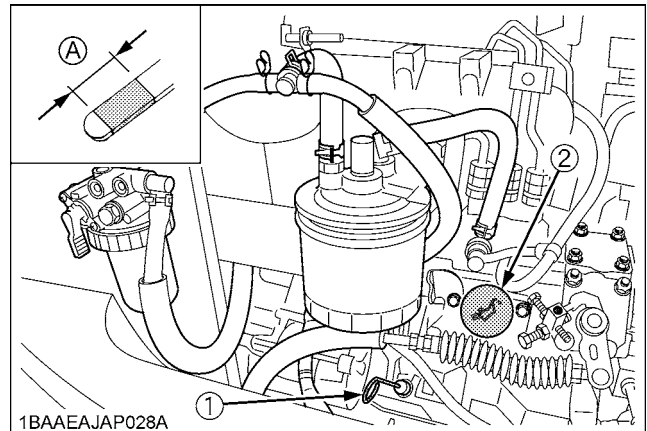
- First stop the engine then remove the key and wait long enough for the oil to cool down.

1. Remove the drain plug on the underside of the engine and drain all oil.
2. Re-tighten the drain plug.



(1) Drain plug

3. Fill up with new oil through the filling port to the specified level.



(1) Engine oil dipstick

(A) Required oil level range

(2) Oil filling port

4. Let the engine idle for approx. 5 min. Check the engine oil level. To check the engine oil level, insert the engine oil dipstick completely into the respective port opening and pull out again. If the oil level lies between both markings, no oil must be added.

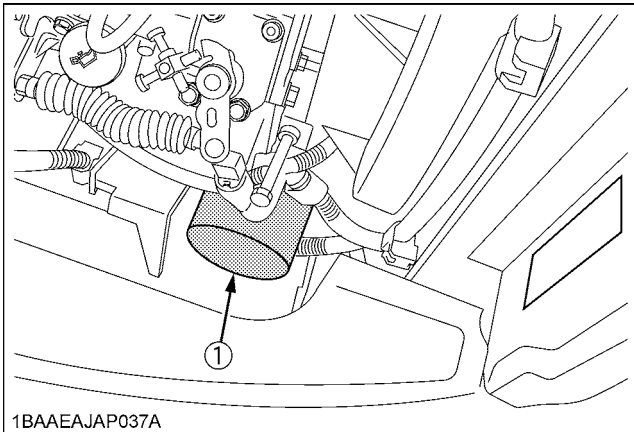
IMPORTANT :

- Regardless of the service hours, an engine oil change is due every 1 year.

Engine oil volumes (with engine oil filter)	5.3 L (1.4 US gal)
------------------------------------------------	--------------------

■ Replacing Engine Oil Filter Cartridge
 (Replace the engine oil filter cartridge every 500 hours, or every 1 year in the case that service hour is less than 500 hours)

1. Replace the oil filter cartridge at the same time as doing the engine oil change.
2. Remove the cartridge with the supplied filter wrench.



1BAAEAJP037A

(1) Oil filter cartridge

3. Oil the O-ring of the new oil filter cartridge lightly. Then tighten the oil filter cartridge by hand.
4. Fill engine oil to the specified level.
5. Let the engine run for approx. 5 min. and make sure that the engine oil indicator lamp does not light up. Then stop the engine and remove the key.
6. The engine oil level is reduced by the amount of the filter capacity after the engine is started. It is usually necessary to add oil.

IMPORTANT :

- Always check the oil level after having exchanged the filter.

■ Drive unit Oil Change (First Oil Change of the 50 hours)

⚠ WARNING

To avoid personal injury or death:

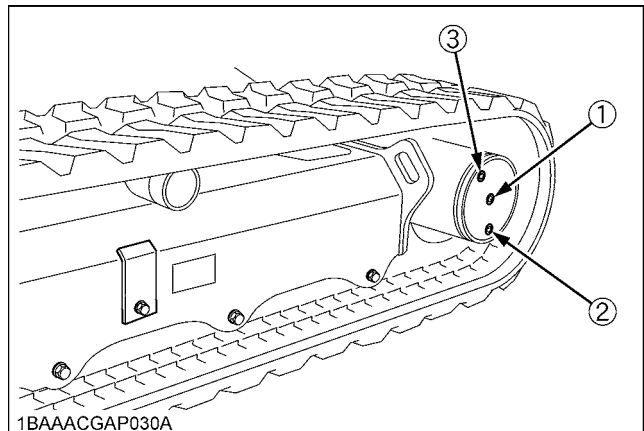
- Lower all attachments to the ground, stop the engine and remove the key before undertaking the oil change.

1. Rotate the track so that the drain plug of the drive unit is in the bottom position.
2. Remove the drain plug to let the oil run out. Screw in and tighten the drain plug again and fill with gear oil through the oil check port.
3. Fill oil until it overflows out of the oil check port.

Oil change

- first oil change after 50 hrs
- then every 500 hrs
- or at least once a year

4. Use prescribed gear oil SAE 90.



1BAAACGAP030A

- (1) Oil check port
- (2) Drain plug
- (3) Oil filling port

Gear oil volume	approx. 0.6 L (0.16 US gal)
-----------------	-----------------------------

■ Replacing Fuel Filter Cartridge

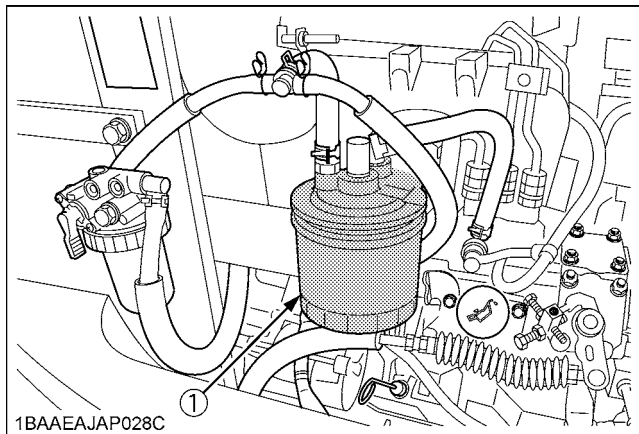


WARNING

To avoid personal injury or death:

- Keep fire away.

1. Remove the filter with the filter wrench.
2. Apply a light film of fuel to the seal of the new filter and turn in tightly by hand.
3. Open the shutoff-valve of the fuel filter again.



(1) Fuel filter cartridge

IMPORTANT :

- After exchange of the filter, the fuel system must be purged of air.

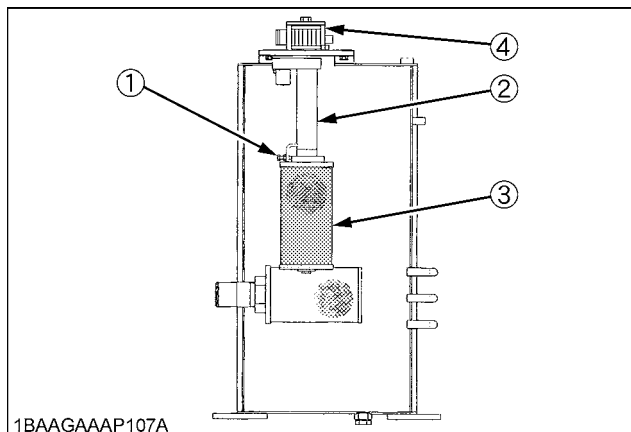
■ Replacing Hydraulic Return Filter Element (First replacement after 250 service hours)



WARNING

To avoid personal injury or death:

- Remove the oil filter element only after the oil in the hydraulic tank has cooled down.



(1) Set bolt (3) Return filter
(2) Filter support (4) Cover

1. Remove the cover of the hydraulic tank.
2. Pull out the filter support by the top plate from the hydraulic tank.
3. Remove the return filter from the filter support with a fork wrench and exchange the filter.

IMPORTANT :

- Always check the oil level when replacing the filter.

■ Replacing Breather Filter

See "Replacing Hydraulic Return Filter Element" in "EVERY 500 SERVICE HOURS" section.

■ Replacing Fan Belt

Consult your local KUBOTA dealer for this service.

EVERY 1000 SERVICE HOURS

Do all 50, 100, 200, 250 and 500 hour servicing at the same time.

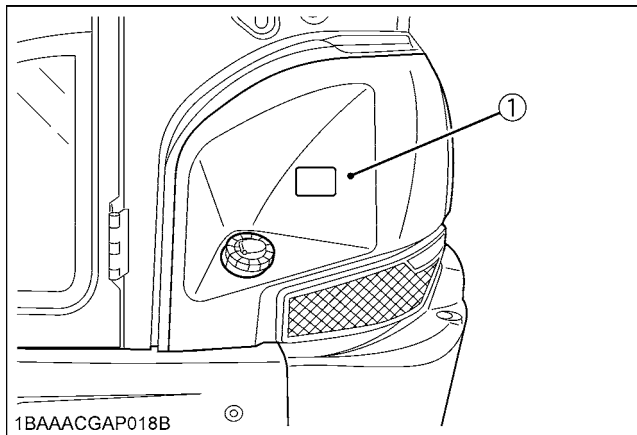
■ Replacing the Hydraulic Pilot Filter Element

WARNING

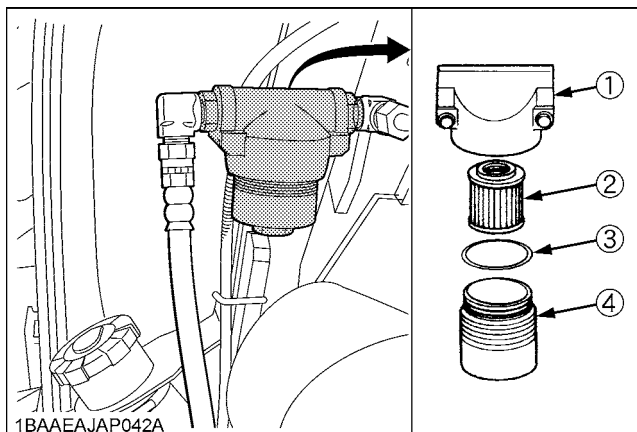
To avoid personal injury or death:

- Before replacing the element, wait long enough for the hydraulic fluid to cool down.

1. Remove the bonnet left cover.
2. Gradually loosen the oil filling plug on the tank to release the pressure in the hydraulic system.
3. Remove the pilot filter case from the head cover.
4. Wrench and pull out the element downward.
5. Replace the O-ring with a new one.
6. Apply a light coating of clean hydraulic oil to the O-ring and fit it to the case firmly. Be careful not to scratch the O-ring.
7. Fit the case to the head cover.
8. Let the engine run for approx. 3 minutes.
9. Check the oil level of hydraulic oil tank, then tighten the oil filling plug.



(1) Bonnet left cover



(1) Head cover (2) Element (3) O-ring (4) Case

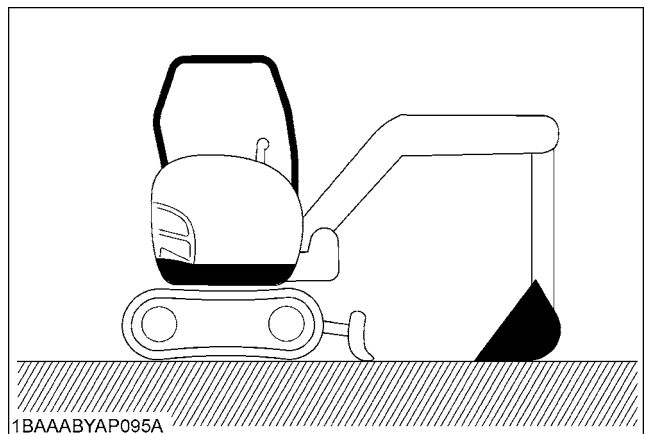
■ Hydraulic Oil Change (Including Replacing of the Suction Filter in the Hydraulic Tank)

WARNING

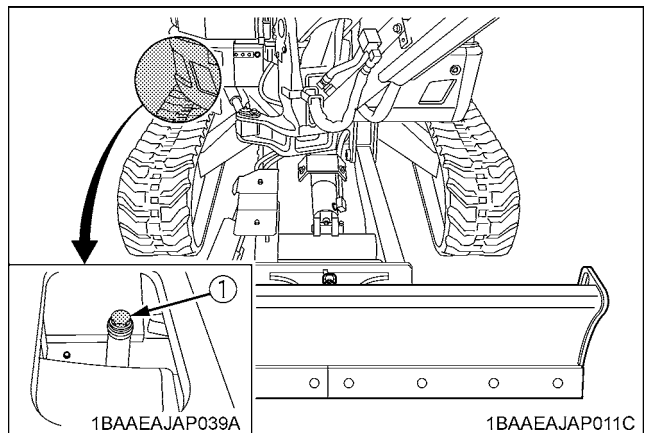
To avoid personal injury or death:

- Wait long enough for the hydraulic fluid to cool down. Then begin with the change of the hydraulic fluid.

1. Park the excavator on a firm, flat and level surface. Lower the attachments and dozer blade to the ground and stop the engine.

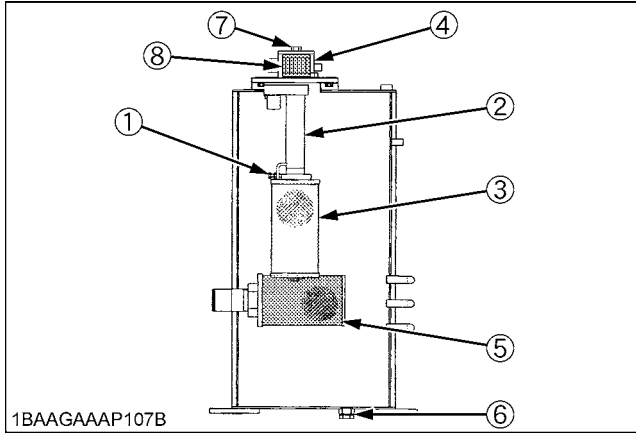


2. Remove the drain plug on the underside of the hydraulic tank and drain the oil.



(1) Drain plug

3. Remove the cover of the hydraulic tank.
4. With a fork wrench or similar, remove and replace the filter with new one.
5. Retighten the drain plug, and remove iron powder adhering to the magnet.



1BAAGAAP107B

- (1) Set bolt
- (2) Filter support
- (3) Return filter
- (4) Cover
- (5) Suction filter
- (6) Drain plug
- (7) Bolt
- (8) Breather filter

6. Fill oil through the oil filling opening on the top side of the tank.
7. let the engine run for approx. 5 min. and check the oil lever again.

IMPORTANT :

- Should dirt deposits be in the hydraulic tank , remove with the help of a clean cloth and light oil.

Hydraulic oil volumes	Hydraulic tank	35 L (9.2 US gal)
	Whole oil volumes	61 L (16.1 US gal)

Hydraulic Oil Check with Hydraulic Hammers

The hydraulic oil change after 1000 operating hours in the operator's manual is based on normal excavator work. Following inspection measures are valid when hydraulic hammers are used:

1. Changing and filling up of hydraulic oil
 - (1) The hydraulic oil must be changed more often when hammers are used because the machine is subject to harder conditions than normal excavating work.
 - (2) Use only the recommended oils mentioned in the operator's manual when changing or filling with oil.
 - (3) When filling up oil, do not mix oils of different makes.
2. Changing the return filter and oil
 - (1) The filter must be changed more often because of contamination resulting from the frequent assembly and disassembly of the hoses.
 - (2) Use the correct replacement filter.
 - (3) Oil change according to operating hours.

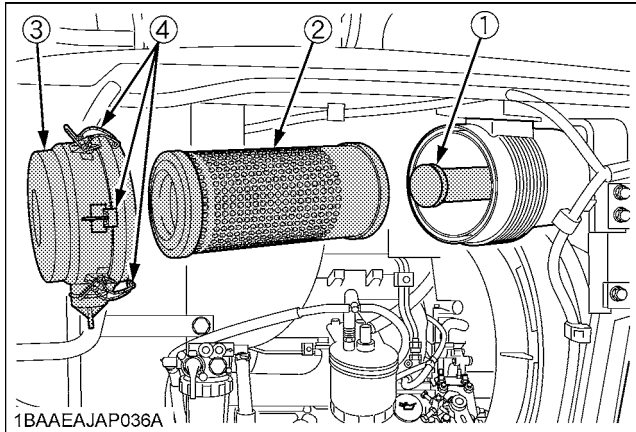
		Hydraulic oil	Return filter	Suction Filter
Normal excavator work		every 1000 Hrs.	every 500 Hrs. (250 Hrs. after first operation)	every 1000 Hrs.
Hammer work portion	20%	every 800 Hrs.	every 400 Hrs.	
	40%	every 400 Hrs.	every 200 Hrs.	
	60%	every 300 Hrs.	every 150 Hrs.	
	more	every 200 Hrs.	every 100 Hrs.	

EVERY 1000 SERVICE HOURS OR ONCE A YEAR

■ Replacing Air Filter Element

Open the engine hood and remove the dust-cover. Remove and replace the outer element and inner element with new elements.

When reassembling, install the dust-cover so that its TOP mark (arrow) faces up-wards.



- (1) Inner element
- (2) Outer element
- (3) Dust-cover
- (4) Clamps

IMPORTANT :

- Shorten the replacement period if the machine is used in dusty or sandy areas.

EVERY 1500 SERVICE HOURS

■ Checking Fuel Injection Nozzle (Injection Pressure)

Consult your local KUBOTA dealer for this service.

EVERY 2000 SERVICE HOURS

Do all 50, 100, 200, 250, 500 and 1000 hour servicing at the same time.

■ Changing Front Idler and Track Roller Oil

NOTE :

- Contact your KUBOTA dealer for details.

■ Checking the Alternator and Starter Motor

NOTE :

- Contact your KUBOTA dealer for details.

EVERY 3000 SERVICE HOURS

■ Checking Injection Pump

Consult your local KUBOTA dealer for this service.

ANNUAL SERVICING

■ Electrical Wiring and Fuses

Check the terminals periodically for proper connections. Loose wiring or damaged cables can cause improper functioning or short circuiting of the electrical system. Check wiring and replace damaged components immediately. If a fuse blows out soon after having been replaced, contact your nearest KUBOTA dealer. Never use a fuse other than specified.

■ Checking the Electrical Circuit

Check the electrical circuitry for disconnections, shorts or loose terminals.

■ Checking Air-Conditioner Pipes and Hoses



WARNING

To avoid personal injury or death:

- Do not touch the coolant hoses or the heater with your hand. You may get burned.

1. Check to see that all lines and hose clamps are tight and not damaged.
2. If hoses and clamps are found worn or damaged, replace or repair them at once. (Consult your local KUBOTA dealer for this service.)

BIENNIAL SERVICING



WARNING

To avoid personal injury or death:

- Do not loosen the radiator cap before the radiator has cooled down sufficiently. Only loosen the cap after allowing enough time for the pressure in the system to be reduced. Thereafter, one can remove the cap completely.

■ Replacing Air-Conditioner Pipes and Hoses



WARNING

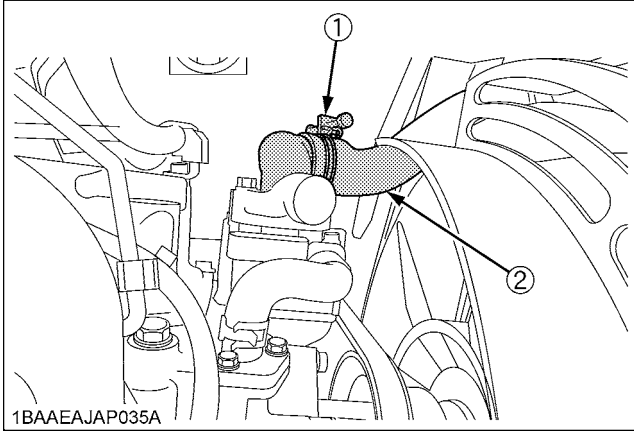
To avoid personal injury or death:

- Do not touch the coolant hoses or the heater with your hand. You may get burned.

Replace air-conditioner pipes and hoses every two years. If the hoses or pipes are swollen, hard or cracked, they must be replaced earlier. (Consult your local KUBOTA Dealer for this service.)

■ Replacement of Radiator Hoses and Hose Clamps

Replace radiator hoses and hose clamps every two years. If the hoses are swollen, hard or cracked, they must be replaced earlier.



- (1) Hose clamp
(2) Radiator hose

■ Changing Radiator Coolant



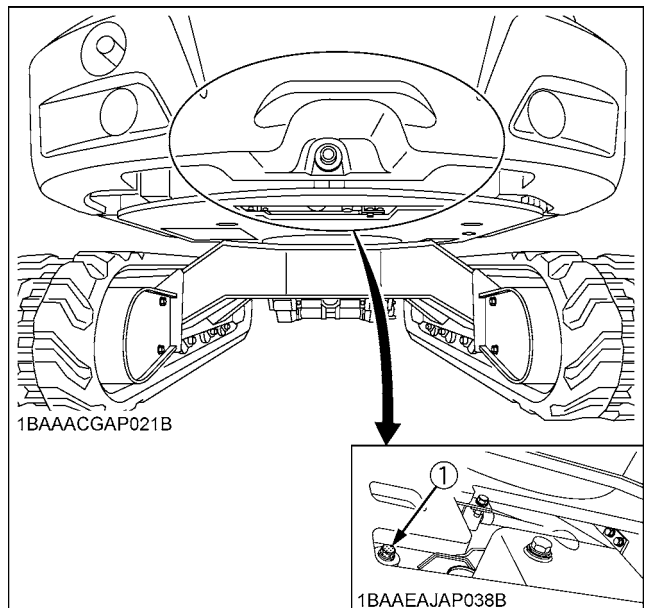
WARNING

To avoid personal injury or death:

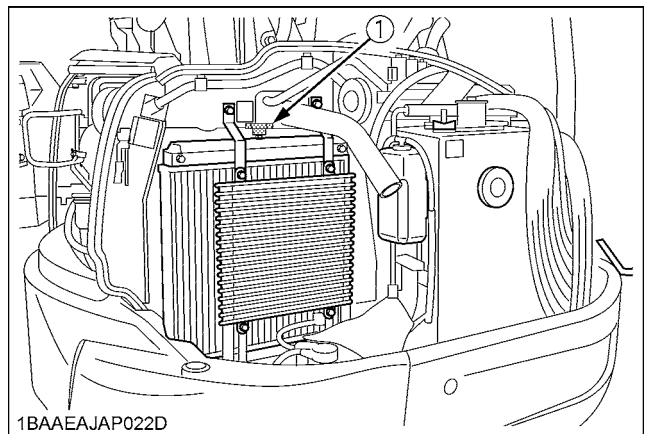
- When using anti-freeze, use protective clothing such as rubber gloves (Anti-freeze is poisonous.).
- If you accidentally swallowed anti-freeze, seek medical attention at once.
- When anti-freeze comes in contact with the skin or clothing, wash it off immediately.
- Do not mix different types of Anti-freeze. The mixture can produce a chemical reaction causing harmful substances.
- Anti-freeze is extremely flammable and explosive under certain conditions. Keep fire and children away from anti-freeze.
- When draining fluids from the engine, use a container underneath the engine body to catch the fluids.
- Do not pour waste onto the grounds, down a drain, or into any water source.
- Also, observe the relevant environmental protection regulations when disposing of anti-freeze.
- If swallowed, anti-freeze is poisonous to people, animals and birds.

Stop the engine, then remove the key and wait until it has cooled down completely.

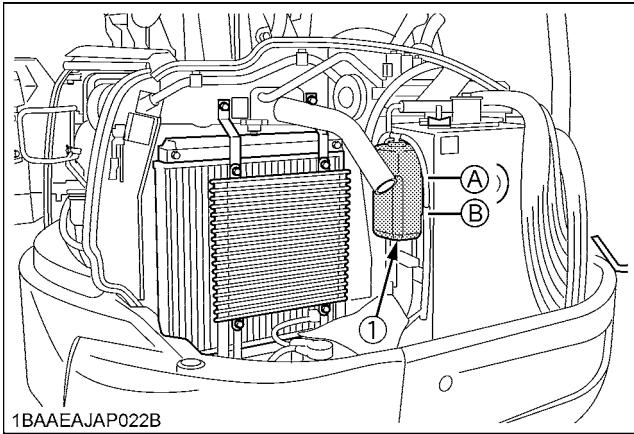
1. Open the drain plug on the bottom of the radiator and drain coolant completely. Should a recovery tank be equipped, disconnect the line from the tank floor and then open the drain shutoff-valve.
2. To clean, rinse the radiator with water.
3. Close the drain plug, and fill the radiator and the recovery tank with coolant fluid. Let the engine idle for about 5 min. Stop the engine and remove the key.
4. Check the coolant level of recovery tank and add the coolant if necessary.
5. The shipped machine has been filled with 50% anti-freeze solution.



- (1) Drain plug



- (1) Radiator cap



1BAAEA JAP022B

- (1) Recovery tank
 (A) "FULL"
 (B) "LOW"

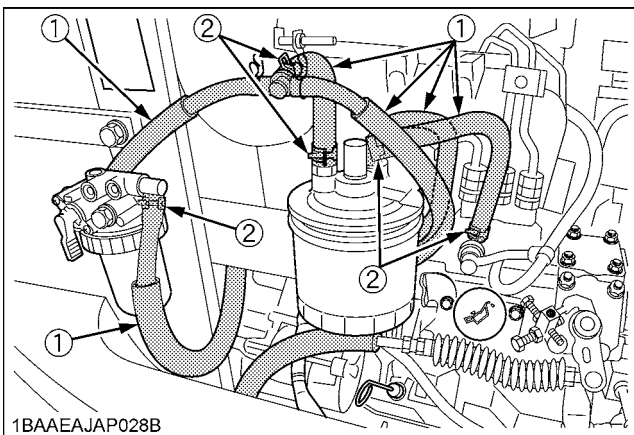
Cooling water	Canopy	Approx. 4.3 L (1.1 US gal)
	Cabin	Approx. 4.7 L (1.2 US gal)
Radiator recovery tank	Approx. 0.85 L (0.2 US gal)	

IMPORTANT :

- Do not operate the engine without coolant.
- To fill the radiator system and the recovery tank, use fresh water and anti-freeze fluid.
- When the anti-freeze is mixed with water, the anti-freeze mixing ratio must be less than 50%.
- Tighten the radiator cap properly. If the cap is loosely or not properly fitted, overheating of the engine can result due to coolant fluid loss.

Replacing Fuel Hoses and Hose Clamps

Replace the hoses and clamps.
 (See "Checking Fuel Line and Intake Air Line" in "EVERY 200 SERVICE HOURS")

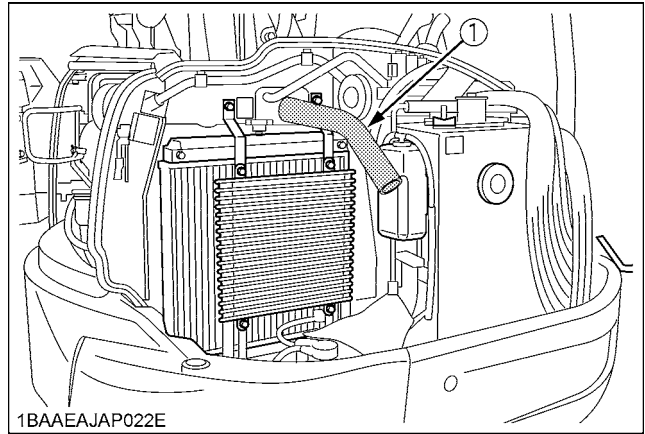


1BAAEA JAP028B

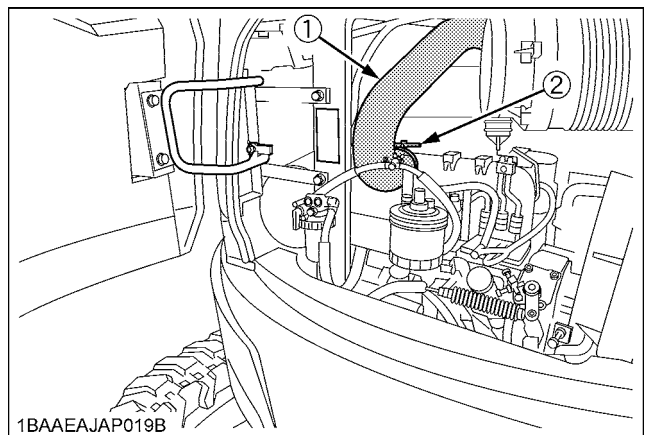
- (1) Fuel lines
 (2) Clamp bands

Replacing Intake Air line

Replace the hoses and clamps, if necessary.
 (See "Checking Fuel Line and Intake Air Line" in "EVERY 200 SERVICE HOURS")



1BAAEA JAP022E



1BAAEA JAP019B

- (1) Hoses
 (2) Hose clamps

SERVICING AS REQUIRED

Checking Amount of Refrigerant (gas)

WARNING

To avoid personal injury or death:

- Liquid contact with eyes or skin may cause frostbite.
- In the event of a leakage, wear safety goggles. Escaping refrigerant can cause severe injuries to eyes.
- In contact with a flame, R134a refrigerant result in a toxic gas.
- Do not disconnect any part of the refrigeration circuit of the air conditioning system. Consult your local KUBOTA Dealer for assistance and service.

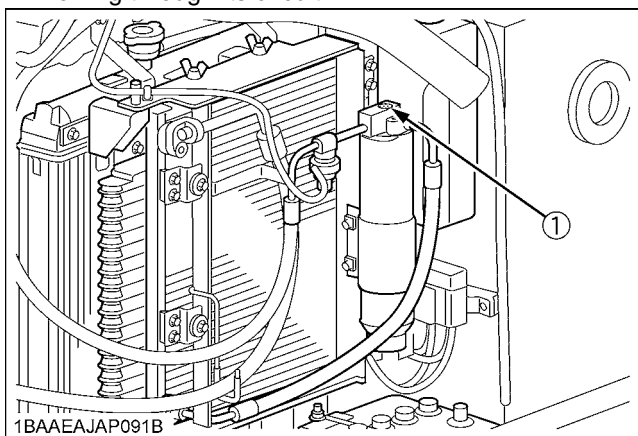
A shortage of refrigerant reduces the air-conditioner performance. Check the following points. If it is indicated that the amount of refrigerant is extremely low, ask your dealer to inspect and charge.

◆ **Checking procedure**

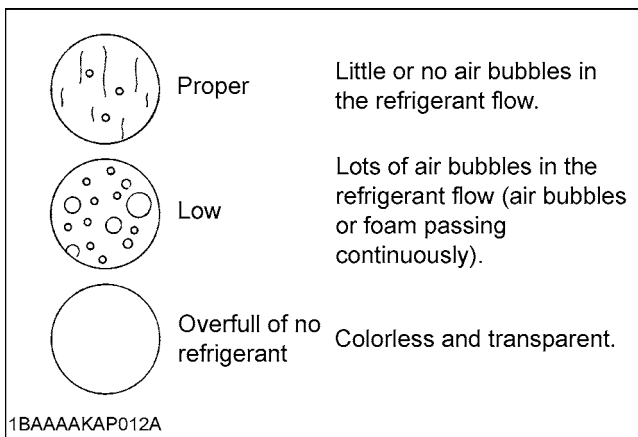
1. Run the air-conditioner in the following conditions.

- Engine speed: About 1500 rpm
- Temperature control lever: Maximum cooling position (rightmost)
- Fan switch: Highest blow (3)
- Air-conditioner switch: ON

2. Look into the sight glass to see if the refrigerant is flowing through its circuit.



(1) Sight glass



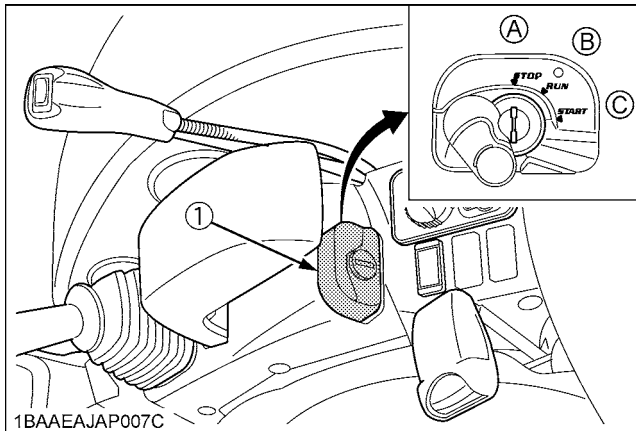
IMPORTANT :

- Charge only with R134a not R12 refrigerant (gas).

OTHER ADJUSTMENTS AND REPLACEMENTS

PURGING OF THE FUEL SYSTEM

1. Fill up the fuel tank with fuel.
2. Turn the starter key to the position "RUN".
3. The air in the fuel system will automatically be purged within one minute.



(1) Starter switch

(A) "STOP"

(B) "RUN"

(C) "START"

IMPORTANT :

- If the purging was insufficient, the engine stops right after starting. In this case repeat steps 2 to 3 again.

ADJUSTMENT OF TRACKS

- ◆ To loosen the tracks, follow the following procedure:



WARNING

To avoid personal injury or death:

- Do not loosen the grease fitting completely or too quickly. Otherwise grease under high pressure in the tension cylinder could squirt out.
- Do not crawl under the excavator.

1. Loosen the bolts and remove the cover.
2. Using a socket wrench, loosen the grease fitting a few turns.
3. When grease oozes out from the thread, rotate the track and loosen the track in the lifted position (see illustration).

After adjustment is completed:

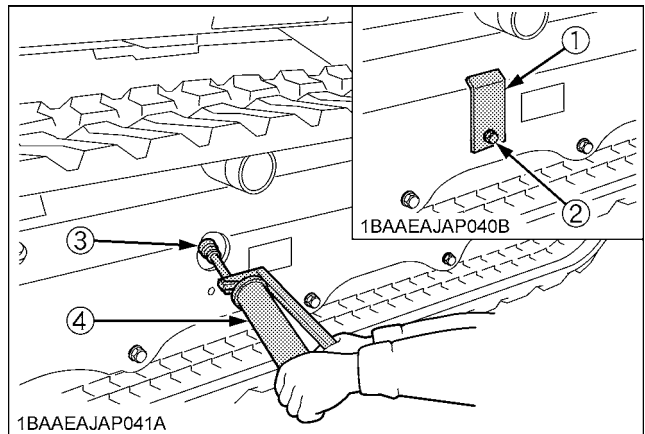
Using the socket wrench, tighten the grease fitting. Tightening torque must be between 98 to 108 N-m (72.3 to 79.7 ft-lbs).

IMPORTANT :

- If the tracks are too tight, wear is increased.
- If the tracks are too loose, the track pads may collide with the sprocket and wear is increased. The track may dislocate or come off.
- Clean the track after every use.
- Should the track tension be high due to sticking mud, lift the track with the help of the boom, arm and bucket, idle the engine and remove mud from the track by rotating it.

◆ Tense the tracks as specified:

1. Loosen the bolt and remove the cover.
2. Apply grease to the grease fitting.



(1) Cover

(2) Bolt

(3) Grease fitting

(4) Grease gun

3. Rubber Tracks

Tense the track in the lifted position, so that the distance "A" (clearance between the track roller and the inside surface of the track) see illustration, in this case, if there is a seam mark "∞" on the inside surface of the track, the seam mark "∞" is positioned on the top center between the idler and the sprocket.



DANGER

To avoid serious injury or death:

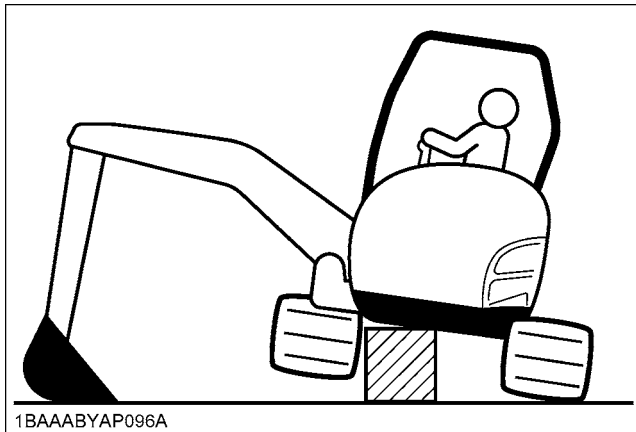
- Do not work under the machine in this condition.
- For your safety do not rely on hydraulically supported devices, they may leak down and suddenly drop or be accidentally lowered.



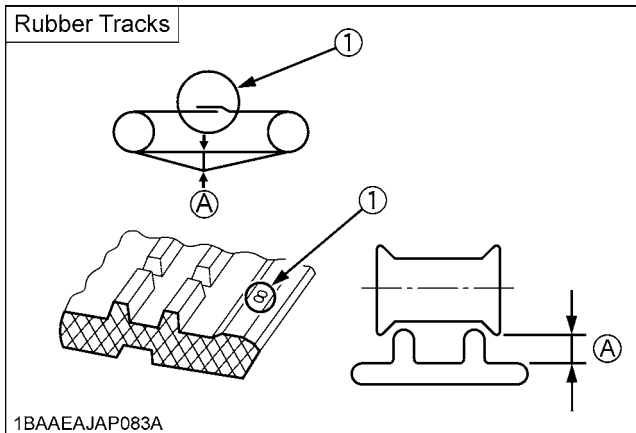
WARNING

To avoid personal injury or death:

- When lifting the machine itself with an attachment, place a safety block or safety post to prevent the machine from turning over. Keep the pilot control lock lever in the "LOCKED" position.



1BAAABYAP096A



1BAAEAJAP083A

(1) Seam (Mark "∞")

(A)	10 to 15 mm (0.39 to 0.59 in.)
-----	--------------------------------

IMPORTANT :

- Make sure that no obstacles, such as stones are caught in the track. Remove such obstacles before adjusting the track tension.
- Track seam
The ends of the rubber track are joined with a seam. When adjusting the tracks, the seam must be positioned on the top midway between the idler and the sprocket.

If the seam is positioned incorrectly, the tracks will be tensioned too loosely, and a further readjustment will be necessary.

- Rotate the track after adjustment one to two times to check the tension.
- Additionally following points are to be observed when adjusting rubber tracks.
 - (1) If the track loosen more than 50 mm (2.0 in.), readjust them.
 - (2) Check track tension 50 hours after initial use and readjust if necessary. Check and adjust thereafter every 50 service hours.

Special Information when Using Rubber Tracks

1. When turning, make a slow swing turn. Avoid spin turns to reduce lug wear and entry of dirt.
2. The relief valve may be activated if too much dirt and sand clog the tracks. In this case move the machine for a short distance straight backwards to let the earth and sand fall off, then a turn can be made.
3. Avoid using rubber track on riverbeds, stony underground, ferro-concrete and on iron plates. The rubber can damage as well as increase wear on the tracks.

CHANGING THE BUCKET



WARNING

To avoid personal injury or death:

- There are two people required to replace the bucket. One person operates the excavator, and the other one mounts the bucket. The person who mounts the bucket must command-guide the movements of the front end attachments. The operator should move the front end attachments only according to the commands of the person who mounts the bucket. Continuous visibility between both persons is indispensable. If there is no visibility, stop working immediately.
- When replacing the bucket, make sure to wear eye protection, a helmet and protective gloves.
- During attaching and detaching, chippings and burns may occur at the bolts or bushings. These may cause severe injuries.
- Never use your fingers for the alignment of the components (linkage, bucket, arm). The components may sever your fingers by uncontrolled movements.
- Read the manual of the attachment to do a correct operation safely when other attachments are installed instead of KUBOTA specified bucket.

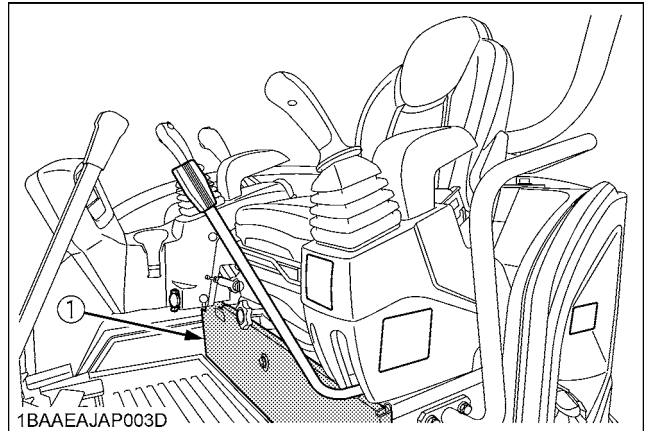
FUSES



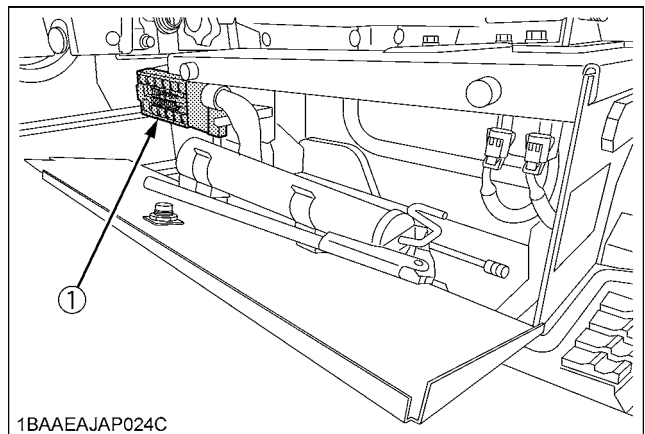
WARNING

To avoid personal injury or death:

- When changing fuse, stop the engine and turn the key in position "STOP". Keep the pilot control lock lever in the "LOCKED" position.



(1) Cover

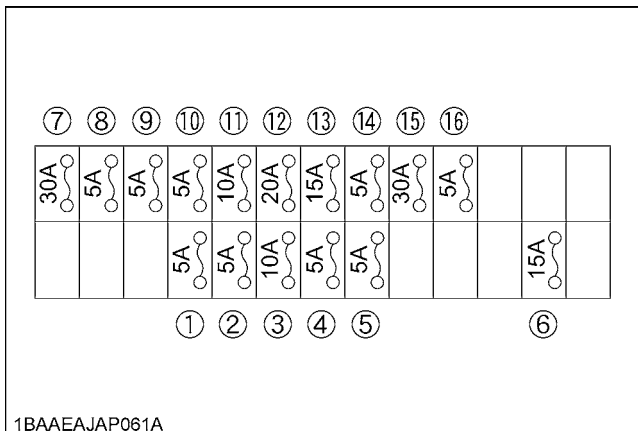


(1) Fuse box

■ Replacing Fuses

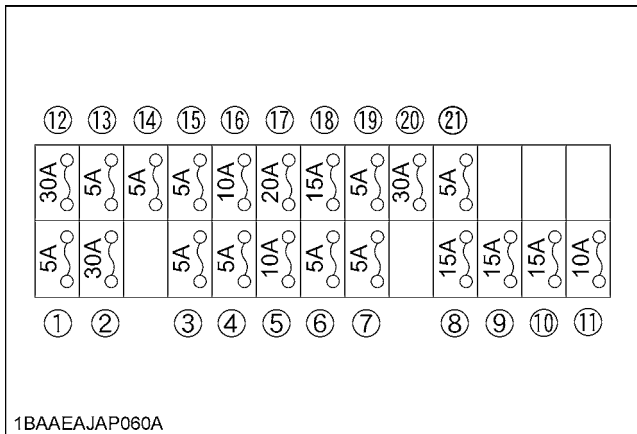
1. Remove the cover of the fuse box.
2. Replace the burnt out fuse with a fuse having the same capacity.

■ Fuse Capacities and Circuits



[Canopy]

1	ECU (AC)	9	ECU (+B)
2	Relay	10	Horn Switch
3	Alternator	11	Horn
4	Lever Lock	12	Work Light
5	Fuel Pump	13	Beacon
6	Electrical Outlet	14	Room Light
7	Engine Stop	15	ECU (POWER)
8	Meter (+B)	16	Starter Signal



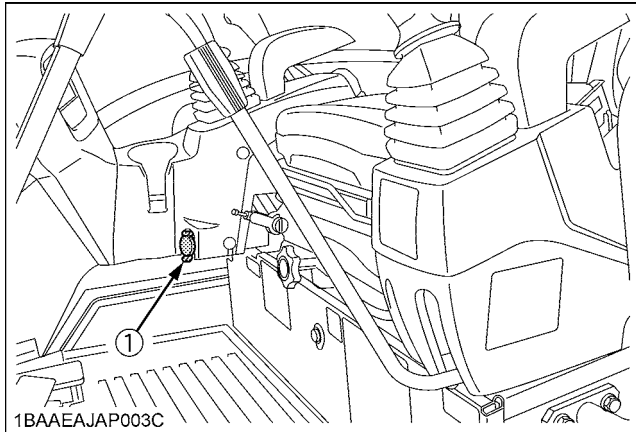
[CAB (Air-conditioner type)]

1	A/C Controller (+B)	12	Engine Stop
2	Blower Motor	13	Meter (+B)
3	ECU (AC)	14	ECU (+B)
4	Relay	15	Horn Switch
5	Alternator	16	Horn
6	Lever Lock	17	Work Light
7	Fuel Pump	18	Beacon
8	Wiper / Washer	19	Room Light
9	Radio (AC)	20	ECU (POWER)
10	Electrical Outlet	21	Starter Signal
11	Compressor		

■Auxiliary Electric

Max power is less than 110 W including the equipped light 55W.

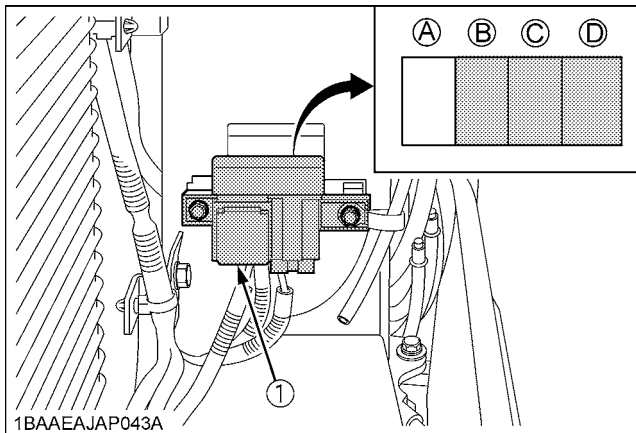
If you need another auxiliary electric, contact your KUBOTA dealer for details.



(1) Auxiliary Electric

■Slow Blow Fuse

Slow blow fuse is provided to protect the electrical circuits. If the slow blow fuse is blown, check the electrical circuits for trouble and then replace with a new compatible slow blow fuse.



(1) Slow blow fuse

[CAB]

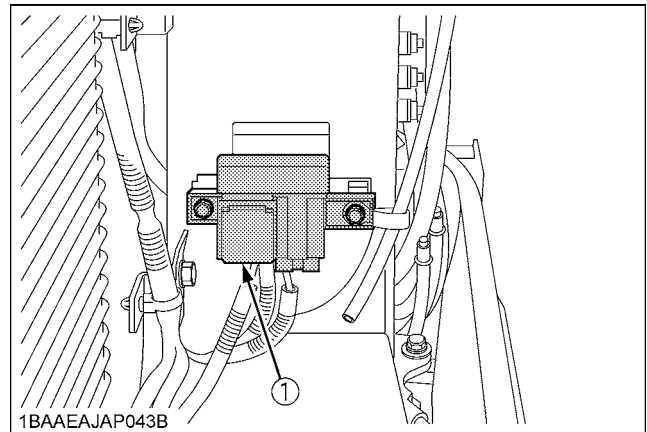
(A)	
(B)	80A Alternator
(C)	50A Main Power (1)
(D)	50A Main Power (2)

[CANOPY]

(A)	
(B)	80A Alternator
(C)	50A Main Power
(D)	

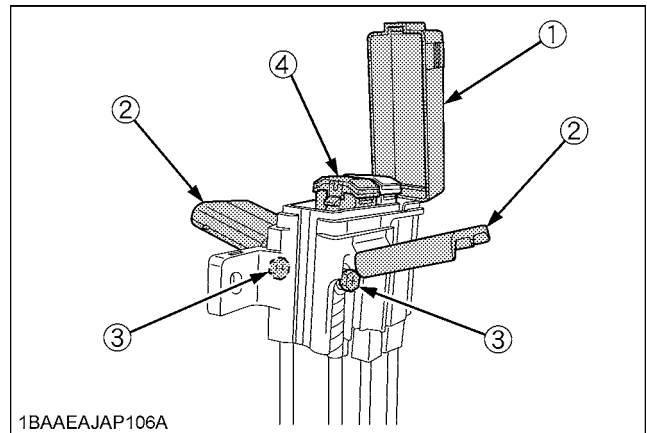
◆ Replacement procedure [80 Amp. Slow-blow fuse]

1. Disconnect the negative cord of the battery.
2. Remove the slow blow fuse case.



(1) Slow blow fuse case

3. Open the slow blow fuse case cap and covers, then remove the bolts and draw out the slow blow fuse (B).



- (1) Slow blow fuse case cap
- (2) Cover
- (3) Bolt
- (4) Slow blow fuse (B)

TROUBLESHOOTING

If the excavator does not show the desired performance, or when trouble arises, refer to the table below and undertake appropriate measures.

Trouble		Cause	Countermeasure
Engine	Starting difficulties	Pilot control lock lever in "UNLOCK" position	* Bring pilot control lock lever into "LOCKED" position.
		Fuel is too viscous.	* Check fuel tank and filter. * Remove impurities and water. * If necessary, replace filter.
		Air or water in the fuel system	* Remove water from the fuel tank. * Check fuel pipe joint bolts and nuts for looseness. * Purging of the fuel system (for fuel filter and injection pump, see "PURGING OF THE FUEL SYSTEM" in the chapter "OTHER ADJUSTMENTS AND REPLACEMENTS".)
		Oil viscosity is too high the engine runs sluggishly in winter.	* Pour hot water over the radiator.
		Battery is almost dead; insufficient compression.	* Recharge battery.
	Insufficient engine power	Low fuel level	* Check fuel and add if necessary.
		Clogged air cleaner	* Clean the air filter element.
	Engine suddenly stops.	Low fuel level	* Check fuel and add if necessary. * Purge the fuel system.
	Abnormal exhaust gas color	Poor fuel	* Use high quality fuel.
		Too much engine oil	* Drain engine oil to prescribed oil level.
	Water temperature in red zone (Overheating)	Defective seal of the water pump	* Replace.
		Worn or torn V-belt	* Adjust or replace.
		Thermostat is defect.	* Replace.
		Coolant level too low	* Fill to prescribed level.
		Radiator grill or fins are clogged.	* Clean.
Coolant is contaminated with rust from the cylinder head or crank case.		* Replace coolant fluid and add anti-rust.	
Defective radiator cap (Evaporation)		* Replace.	
Corroded coolant pipes		* Clean.	
Continuous operation under full load	* Reduce load.		

Trouble		Cause	Countermeasure
Engine	Water temperature in red zone (Overheating)	Cylinder head gasket is damaged (Coolant loss).	* Replace.
		Engine oil level too low	* Fill to prescribed level.
		Maladjustment of fuel injection	* Readjust ignition timing.
		Use of poor fuel	* Use prescribed fuel.
Hydraulic System	Boom, arm, bucket, drive, swing and dozer power is too low.	Hydraulic oil level too low	* Add oil.
		Leakages of hoses and / or joints	* Replace hose or joint.
	Swing motor and front attachment does not work.	Pilot control lock lever in "LOCKED" position	* Bring pilot control lock lever into "UNLOCK" position.
Drive System	Deviation of drive direction	Blocked through stones	* Remove.
		Track too loose or too tight	* Adjust accordingly.
AI	System indicator light flashes.	Fuse in fuse box defective	* Replace the fuse.

OPERATION UNDER COLD WEATHER CONDITIONS

PREPARATION FOR OPERATION IN COLD WEATHER

1. Replace engine oil and hydraulic oil with those of viscosities suitable for cold weather.
2. In cold weather, battery power drops, and the battery fluid may freeze if the battery is not sufficiently charged. To prevent the battery fluid from freezing, be sure to keep the battery charged at least 75% or more of its capacity after operation. To ease next starting, it is recommended to keep the battery stored in closed or heated rooms. If the battery fluid level is too low, do not add after operation, but add with the engine running before the next operation.
3. Add anti-freeze to coolant in the radiator and recovery tank, if the ambient temperature is expected to drop below 0°C (32°F). Mixing ratio of water and anti-freeze depends on the expected ambient temperature. When mixing, stir it up well, and then fill into the radiator.

- Mixing ratio between water and anti-freeze

Ambient Temperature	°C (°F)	-5 (+23)	-10 (+14)	-15 (+5)	-20 (-4)	-25 (-13)	-30 (-22)	-35 (-31)
Antifreeze %		30	30	30	35	40	45	50
Water %		70	70	70	65	60	55	50

IMPORTANT :

- Use permanent anti-freeze or long-life coolant.
- Drain the coolant completely and clean the inside of the radiator, then fill with the water and anti-freeze mixture.
- The anti-freeze acts as an anti-corrosive, it is not necessary to add an additive to the water and anti-freeze mixture.
- See "Coolant check" under "DAILY CHECKS" in "MAINTENANCE" for radiator fill volumes.

PROCEDURE AFTER COMPLETING WORK

Clean the excavator thoroughly after work and wipe dry. Otherwise mud and earth on the tracks could freeze if the temperature drops below the 0°C (32°F) mark. Operation of the excavator is then not possible. Store the excavator in a dry place; if not possible, store on wooden planks or on mats. If the excavator is kept on damp or muddy ground, the tracks could freeze overnight. Operation of the excavator is then not possible. Furthermore the reduction gear may be damaged.

Additionally, the piston rods of the hydraulic cylinders must be rubbed dry. Otherwise severe damage could occur if dirty water seeps through the seals.

LONG STORAGE



WARNING

To avoid personal injury or death:

- Do not clean the excavator with the engine running.
- To avoid the danger of exhaust fume poisoning, do not operate the engine in a closed building without proper ventilation.
- When storing, remove the key from the starter switch to avoid unauthorized persons from operating the excavator and getting injured.
- Bring the excavator on a firm, flat, and level surface. Lower the attachments and dozer blade on the ground.

■ Should the Excavator be Stored for a Longer Period of Time, Observe Following Procedures:

1. The whole excavator should be cleaned thoroughly and in all cases stored indoors. If the excavator has to be kept outdoors, lay out wooden planks on even ground, place the excavator on the planks and cover completely.
2. Do an oil change and grease the excavator.
3. Heavily grease the visible section of the cylinder rods.
4. Remove the battery and store indoors.
5. If it is expected that the temperature will sink below the 0°C (32°F) mark, add anti-freeze or drain coolant completely.

IMPORTANT :

- Wash the excavator after stopping the engine.
If you wash the excavator while running the engine, splashing water gets into the air cleaner through its intake and cause engine damage.
Carefully wash and do not splash water over the air cleaner while the engine is running.

■ Observe Following Procedures when the Machine is to be Operated after Long Storage.

1. Wipe off the grease from the hydraulic cylinder rods.
2. Turn on the engine. Operate the attachments and the drive mechanisms under no load in order to circulate the hydraulic oil.
(If the machine is stored for longer than 1 month, do steps 1 and 2 once every month.)

Periodic replacement of important component parts

To ensure safety in operation, you are strongly requested to inspect and service the machine at regular intervals. For added safety, ask your KUBOTA dealer to replace the following important component parts.

These parts are prone to degradation in material or subject to wear and tear with time. It is difficult to judge how much they have been affected at regular inspection. It is therefore necessary to replace them with new ones, whether wear is visible or not after a specified time of use.

If any of them is found worn even before the specified use, it must be repaired or replaced the same way as other parts.

If any of the hose clamps is found deformed or cracked, the hose clamp must also be replaced.

For the hydraulic hoses other than the ones to be replaced periodically, inspect them for the following points. If found unusual condition, tighten them up, replace them.

When replacing the hydraulic hoses, change their O rings and sealings with new ones.

For replacement of the important parts, contact your KUBOTA dealer.

- At the following periodic inspections, check the fuel hoses and hydraulic hoses as well.

Inspection Interval	Check points
Daily Checks	Oil leak at fuel and hydraulic hose connections and points
Every month	Oil leak at fuel and hydraulic hose connections and points Damages at fuel and hydraulic hose (cracks, chafing)
Every year	Oil leak at fuel and hydraulic hose connections and points Interference, deformation, degradation, twist and other damages (cracks, chafing) of fuel and hydraulic hoses

List of important component parts

No.	Component parts	Used place	Q'ty	Period
1	Fuel hose	Fuel tank - Water separator	1	Every 2 years or 4000 hours
		Water separator - Fuel pump	1	
		Fuel pump - Fuel filter	1	
		Fuel filter - Fuel nozzle	1	
		Fuel filter - T pipe	1	
		Fuel nozzle - T pipe	1	
		T pipe - Fuel tank	1	
2	Hydraulic hose (suction)	Tank - Pipe, Suction	1	
		Pipe, Suction - Main Pump	1	
3	Hydraulic hose (delivery)	Main pump - Control valve	3	
		Main pump - Pilot filter	1	
		Pilot filter - Unload valve	1	
4	Hydraulic hose (Boom cylinder)	Control valve - Boom cylinder	2	
5	Hydraulic hose (Arm cylinder)	Control valve - Pipe, Boom	2	
		Pipe, Boom - Arm cylinder	2	
6	Hydraulic hose (Bucket cylinder)	Control valve - Pipe, Boom	2	
		Pipe, Boom - Bucket cylinder	2	
7	Hydraulic hose (Swing cylinder)	Control valve - Swing cylinder	2	
8	Hydraulic hose (Dozer cylinder)	Control valve - Rotary joint	2	
		Rotary joint - Pipe	2	
		Pipe - Dozer cylinder	2	
9	Hydraulic hose (Service port)	Control valve - Pipe boom	1	
		Control valve - 2 way selective valve	1	
		2 way selective valve - Pipe boom	1	
		Pipe boom - Selective valve	2	
10	Hydraulic hose (Swivel motor)	Control valve - Swivel motor	2	
11	Hydraulic hose (Travel motor)	Control valve - Rotary joint	4	
		Rotary joint - Travel motor	4	
12	Hydraulic hose (Angle cylinder)	Control valve - Rotary joint	2	
		Rotary joint - Pipe	2	
		Pipe - angle cylinder	2	

To prevent serious damage to the hydraulic system, use only a KUBOTA genuine hydraulic hose.

RECOMMENDED OILS

IMPORTANT :

1. Before delivery the hydraulic oil used was Shell Tellus S2M46.
2. Use engine oil API service classification CF/CF-4 or better and SAE10W-30.
3. Use SAE 90 (API, GL-4/GL-5) as drive unit oil for all seasons.

	Application	Viscosity	KTC recommends	Shell	ExxonMobil
Gear oil	All-weather gear oil	SAE 90	Excavator Gear Oil 90 Part Number 70000-68700 (1 Quart)	Shell Spirax HD80W-90	Mobilube HD Plus 80W-90
Hydraulic oil	In winter or by low temperatures	ISO 32	Excavator Hydraulic Fluid 32 Part Number 70000-68720 (5 Gal Pail) Part Number 70000-68740 (55 Gal Drum)	Shell Tellus S2M32	
	In summer or by high ambient temperatures	ISO 46	Excavator Hydraulic Fluid 46 Part Number 70000-68760 (5 Gal Pail) Part Number 70000-68780 (55 Gal Drum)	Shell Tellus S2M46	
Grease				Shell Alvania EP2	Mobilux EP2
Fuel				Diesel Fuel No.2-D S15	
Fuel under -5°C (23°F)				Diesel Fuel No.1-D S15	

NOTE :

◆ **Engine Oil:**

- Oil used in the engine should have an American Petroleum Institute (API) service classification and Proper SAE Engine Oil according to the ambient temperatures.

Above 25 °C (77 °F)	SAE 30 or SAE 10W-30, SAE 15W-40
0 °C to 25 °C (32 °F to 77 °F)	SAE 20 or SAE 10W-30, SAE 15W-40
Below 0 °C (32 °F)	SAE 10W or SAE 10W-30, SAE 15W-40

- Refer to the following table for the suitable API classification engine oil according to the engine type (with internal EGR, external EGR or non-EGR) and the fuel.

Fuel used	Engine oil classification (API classification)	
	Oil class of engines except external EGR	Oil class of engines with external EGR
Ultra Low Sulfur Fuel [$<0.0015\%$ (15 ppm)]	CF, CF-4, CG-4, CH-4 or CI-4	CF or CI-4 (Class CF-4, CG-4 and CH-4 engine oils cannot be used on EGR type engines)

EGR: Exhaust Gas Re-circulation

- The CJ-4 engine oil is intended for DPF (Diesel Particulate Filter) type engines, and cannot be used on this machine.

	except external EGR	with external EGR
Models	KX033-4	---

◆ **Fuel:**

- Cetane number of 45 is minimum. Cetane number greater than 50 is preferred, especially for temperatures below -20 °C (-4 °F) or elevations above 1500 m (5000 ft).
- Diesel fuels specified to EN 590 or ASTM D975 are recommended.
- No.2-D is a distillate fuel of lower volatility for engines in industrial and heavy mobile service. (SAE J313 JUN87)

BIODIESEL FUEL (BDF)

B0-B20 Biodiesel fuels (BDF): mixed diesel fuels containing 20% or less biodiesel can be utilized under the following conditions.

IMPORTANT :

- Concentrations greater than B5 (5%) are NOT approved for common rail engines and engines with aftertreatment device.
Such fuel use can cause damage and reduce engine life.
 - Refueling and handling fuel should be done with caution in order to avoid contact with the fuel and spillage that could create a potential environmental or fire hazard. Wear appropriate protective equipment when refueling.
- ◆ Applicable BDF:
1. Blended diesel fuels containing 6% through 20% BDF (B6 - B20) which comply with American Society for Testing and Materials (ASTM) D7467 Standard, as revised, can be used without adversely affecting the performance and durability of the engine and fuel system components.
 2. Any mineral oil diesel fuel, if used, must conform to ASTM D975 (or the European EN590) Standard, as revised. B100 fuel used to make Biodiesel blended fuels must meet ASTM D6751 (or EN14214) Standard, as revised. The final blended fuel B20 must conform to ASTM D7467 Standard, as revised. Straight vegetable oil is NOT allowed in any blended fuel.
 3. Allowable blended fuel is mineral oil diesel fuel blended with B100 (i.e. 100% BDF). The blended fuel ratio shall be less than 20% B100 and 80% or more diesel fuel. The B100 source used for Biodiesel blends must be purchased from an accredited BQ-9000 marketer or producer. More information about qualified marketer(s) and producer(s) can be found at <http://www.bq-9000.org>.
- ◆ Preparation:
1. Before using BDF concentrations greater than B5, you are advised to replace the engine oil, engine oil filter and fuel filter with new oil and filters. For replacement procedures, refer to the "MAINTENANCE" section.
- ◆ Product Warranty, Emission and Other Precautions:
1. The engine emission control system was certified according to current regulations based on the use of non-BDF. When using BDF, the owner is advised to check applicable local and federal emission regulations and comply with all of them.
 2. BDF may cause restricted or clogged fuel filters during cold weather conditions, resulting in the engine not operating properly.
 3. BDF encourages the growth of microorganisms which may cause degradation of the fuel. This in turn may cause fuel line corrosion or reduce fuel filter flow earlier than expected.
 4. BDF inherently absorbs moisture which may cause degradation of the fuel earlier than expected. To avoid this, drain the water separator and fuel filter port often.
 5. Do not use Biodiesel concentrations higher than 20% (i.e. greater than B20). Engine performance and fuel consumption will be affected, and degradation of the fuel system components may occur.
 6. Do not readjust the engine fuel control system as this will violate emission control levels for which the equipment was approved.
 7. Compared with soybean-based and rapeseed-based feedstock, palm oil-based feedstock has a thicker consistency (i.e. higher viscosity) at lower temperatures. Consequently, fuel filter performance may be reduced, particularly during cold weather conditions.
 8. The KUBOTA Warranty, as specified in the Owner's Warranty Information Guide, only covers defects in product materials and workmanship. Accordingly, any problems that may arise due to the use of poor quality fuels that fail to meet the above requirements, whether biodiesel or mineral oil based, are not covered by the KUBOTA Warranty.
- ◆ Routine handling:
1. Avoid spilling BDF onto painted surfaces as this may damage the finish.
If fuel is spilled immediately wipe clean and flush with soapy water to avoid permanent damage.
 2. When using BDF, you are advised to maintain a full tank of fuel, especially overnight and during short term storage, to reduce condensation within the tank. Be sure to tighten the fuel cap after refueling to prevent moisture build up within the tank. Water in the Biodiesel mixture will damage fuel filters and may damage engine components.

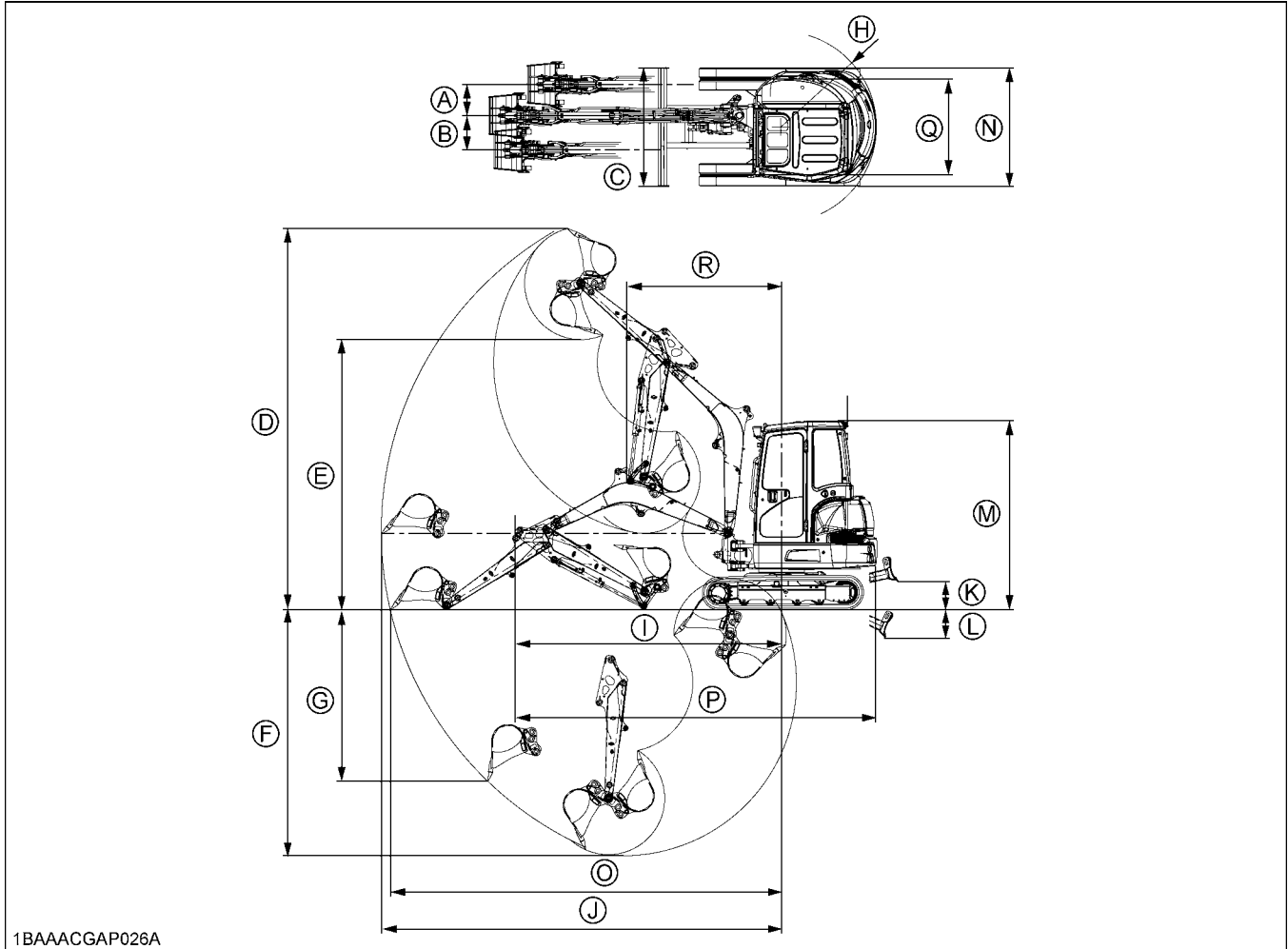
- ◆ Maintenance Requirements when using BDF B0 through B5:
Follow the oil change intervals recommended by referring to the "MAINTENANCE" section. Extended oil change intervals may result in premature wear or engine damage.
- ◆ Maintenance Requirements when using BDF B6 through B20:
The maintenance interval for fuel related parts changes.
See the table below for the new maintenance interval.

Items		Interval	Remarks
Fuel filter	Replace	every 250 hrs	
Fuel hose	Check	every 100 hrs	Replace if any deterioration (crack, hardening, scar or deformation) or damage occurred.
	Replace	every 1 year	Consult your local KUBOTA Dealer for this service.

- ◆ Long Term Storage:
 1. BDF easily deteriorates due to oxygen, water, heat and foreign substances.
Do not store B6 through B20 longer than 1 month and B5 longer than 3 months.
 2. When using B6 through B20 and storing the machine longer than 1 month, drain the fuel from the tanks and replace with light mineral oil diesel fuel.
Subsequently, run the engine at least 30 minutes to remove all of the Biodiesel from the fuel lines.
 3. When using B5 fuel and storing machine longer than 3 months, drain the fuel from the tanks and replace with light mineral oil diesel fuel.
Subsequently, run the engine at least 30 minutes to remove all of the Biodiesel from the fuel lines.

APPENDICES

MAIN DIMENSIONS



1BAAACGAP026A

mm (in.)

	(A)	(B)	(C)	(D)	(E)	(F)	(G)	(H)	(I)	(J)
KX033-4	409 (16.1)	449 (17.7)	1550 (61.0)	4979 (196.0)	3529 (139.0)	3211 (126.4)	2237 (88.1)	1250 (49.2)	3479 (137.0)	5227 (205.8)
	(K)	(L)	(M)		(N)	(O)	(P)	(Q)	(R)	
KX033-4	366 (14.4)	374 (14.7)	2469 (97.2)	[2479 (97.6)]	1545 (60.8)	5108 (201.1)	4737 (186.5)	1250 (49.2)	2023 (79.6)	

*Dimensions in brackets: CANOPY type models

NOTE :

- Above dimensions are based on the machine with unloaded digging bucket (Q/C BUCKET).
- Above dimensions are based on the machine with rubber track.
- Specifications subject to change without notice.

LIFTING CAPACITY

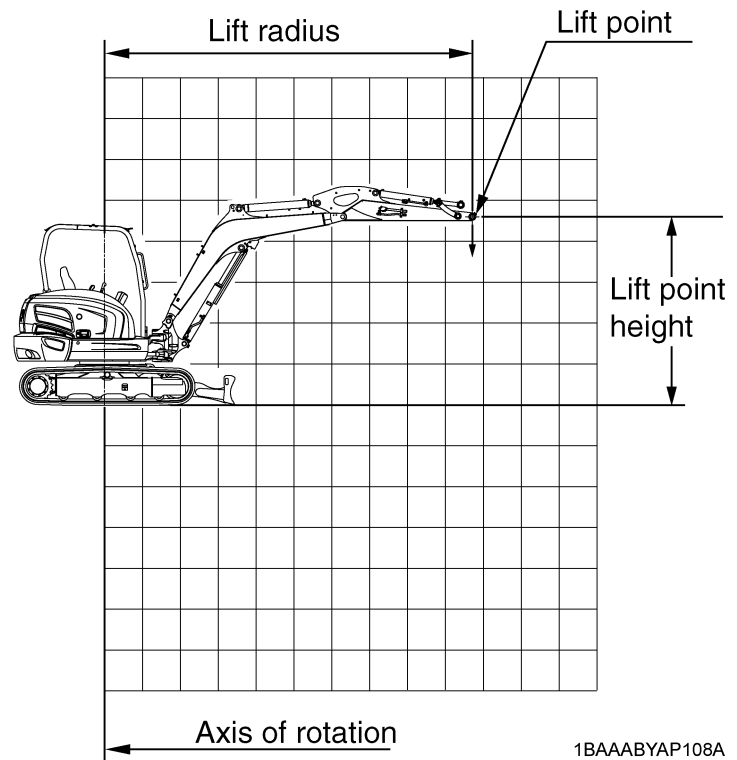
1. The lifting capacities are based on ISO 10567 and do not exceed 75% of the static tilt load of the machine or 87% of the hydraulic lifting capacity of the machine.
 2. The strokes are as follows.
 - (1) The load point corresponds to the front bolt part of the arm.
 - (2) The machine positions are (i) over - front (Blade down), (ii) over - front (Blade up), and (iii) over - side.
 - (3) The operating cylinder is the boom cylinder.
 3. The bucket of the excavator, the hook, the sling and other lifting accessories are taken into consideration for the loads.
- Machine conditions:
No bucket, all others according to the standard regulations.



WARNING

To avoid personal injury or death:

- No loads greater than those values mentioned in the lifting capacity tables are to be lifted.
- The values mentioned in the table are valid only on even, hard grounds. When lifting on soft ground, the machine can tip over due to the load being concentrated only on one side of the machine.
- The table values are calculated at the end of the arm without the bucket. In order to find the allowable loads for machines with bucket, the bucket weight must be subtracted from the values in the table.
- Never lift the machine with the angle blade placed at an angle.



KX033-4 STANDARD ARM/STANDARD BLADE
RUBBER TRACK
CANOPY

LIFTING CAPACITY OVER-FRONT BLADE DOWN

Unit=1000 lbs

LIFT POINT HEIGHT (ft)	LIFT POINT RADIUS (ft)									
	0	2	4	6	8	10	12	14	16	
GL 14										
12						1.08				
10						1.03	1.14			
8						1.14	1.16			
6					1.56	1.37	1.27	1.23		
4					2.15	1.66	1.42	1.29		
2					2.64	1.92	1.56	1.36		
0				2.79	2.90	2.10	1.66	1.38		
-2	1.78	2.66	4.03	2.92	2.15	1.68				
-4	2.51	4.01	3.99	2.74	2.04	1.54				
-6		5.72	3.28	2.30	1.65					
-8			1.94							
-10										

KX033-4 STANDARD ARM/STANDARD BLADE
RUBBER TRACK
CABIN

LIFTING CAPACITY OVER-FRONT BLADE DOWN

Unit=1000 lbs

LIFT POINT HEIGHT (ft)	LIFT POINT RADIUS (ft)									
	0	2	4	6	8	10	12	14	16	
GL 14										
12						1.08				
10						1.03	1.14			
8						1.14	1.16			
6					1.56	1.37	1.27	1.23		
4					2.15	1.66	1.42	1.29		
2					2.64	1.92	1.56	1.36		
0				2.79	2.90	2.10	1.66	1.38		
-2	1.78	2.66	4.03	2.92	2.15	1.68				
-4	2.51	4.01	3.99	2.74	2.04	1.54				
-6		5.72	3.28	2.30	1.65					
-8			1.94							
-10										

LIFTING CAPACITY OVER-FRONT BLADE UP

Unit=1000 lbs

LIFT POINT HEIGHT (ft)	LIFT POINT RADIUS (ft)									
	0	2	4	6	8	10	12	14	16	
GL 14										
12						1.08				
10						1.03	1.14			
8						1.14	1.16			
6					1.56	1.37	1.27	1.00		
4					2.15	1.63	1.24	0.99		
2					2.22	1.59	1.22	0.98		
0				2.79	2.18	1.56	1.20	0.97		
-2	1.78	2.66	3.59	2.17	1.55	1.20				
-4	2.51	4.01	3.62	2.18	1.55	1.21				
-6		5.72	3.28	2.22	1.58					
-8			1.94							
-10										

LIFTING CAPACITY OVER-FRONT BLADE UP

Unit=1000 lbs

LIFT POINT HEIGHT (ft)	LIFT POINT RADIUS (ft)									
	0	2	4	6	8	10	12	14	16	
GL 14										
12						1.08				
10						1.03	1.14			
8						1.14	1.16			
6					1.56	1.37	1.27	1.08		
4					2.15	1.66	1.34	1.07		
2					2.40	1.72	1.32	1.06		
0				2.79	2.36	1.69	1.30	1.05		
-2	1.78	2.66	3.87	2.35	1.68	1.30				
-4	2.51	4.01	3.90	2.36	1.68	1.31				
-6		5.72	3.28	2.30	1.65					
-8			1.94							
-10										

LIFTING CAPACITY OVER-SIDE

Unit=1000 lbs

LIFT POINT HEIGHT (ft)	LIFT POINT RADIUS (ft)									
	0	2	4	6	8	10	12	14	16	
GL 14										
12						1.08				
10						1.03	1.09			
8						1.14	1.08			
6					1.56	1.37	1.07	0.84		
4					1.87	1.35	1.04	0.83		
2					1.80	1.31	1.02	0.82		
0				2.74	1.76	1.29	1.00	0.82		
-2	1.78	2.66	2.75	1.75	1.28	1.00				
-4	2.51	4.01	2.78	1.76	1.28	1.01				
-6		5.72	2.83	1.79	1.31					
-8			1.94							
-10										

LIFTING CAPACITY OVER-SIDE

Unit=1000 lbs

LIFT POINT HEIGHT (ft)	LIFT POINT RADIUS (ft)									
	0	2	4	6	8	10	12	14	16	
GL 14										
12						1.08				
10						1.03	1.15			
8						1.14	1.16			
6					1.56	1.37	1.15	0.91		
4					2.02	1.46	1.13	0.90		
2					1.94	1.42	1.10	0.89		
0				2.79	1.91	1.39	1.09	0.89		
-2	1.78	2.66	2.98	1.90	1.38	1.08				
-4	2.51	4.01	3.00	1.91	1.39	1.09				
-6		5.72	3.05	1.94	1.42					
-8			1.94							
-10										

KX033-4 STANDARD ARM/ANGLE BLADE
RUBBER TRACK
CANOPY

LIFTING CAPACITY OVER-FRONT BLADE DOWN

Unit=1000 lbs

LIFT POINT HEIGHT (ft)	LIFT POINT RADIUS (ft)									
	0	2	4	6	8	10	12	14	16	
GL 14										
12						1.08				
10						1.03	1.14			
8						1.14	1.16			
6					1.56	1.37	1.27	1.23		
4					2.15	1.66	1.42	1.29		
2					2.64	1.92	1.56	1.36		
0				2.79	2.90	2.10	1.66	1.38		
-2		1.78	2.66	4.03	2.92	2.15	1.68			
-4		2.51	4.01	3.99	2.74	2.04	1.54			
-6			5.72	3.28	2.30	1.65				
-8				1.94						
-10										

KX033-4 STANDARD ARM/ANGLE BLADE
RUBBER TRACK
CABIN

LIFTING CAPACITY OVER-FRONT BLADE DOWN

Unit=1000 lbs

LIFT POINT HEIGHT (ft)	LIFT POINT RADIUS (ft)									
	0	2	4	6	8	10	12	14	16	
GL 14										
12						1.08				
10						1.03	1.14			
8						1.14	1.16			
6					1.56	1.37	1.27	1.23		
4					2.15	1.66	1.42	1.29		
2					2.64	1.92	1.56	1.36		
0				2.79	2.90	2.10	1.66	1.38		
-2		1.78	2.66	4.03	2.92	2.15	1.68			
-4		2.51	4.01	3.99	2.74	2.04	1.54			
-6			5.72	3.28	2.30	1.65				
-8				1.94						
-10										

LIFTING CAPACITY OVER-FRONT BLADE UP

Unit=1000 lbs

LIFT POINT HEIGHT (ft)	LIFT POINT RADIUS (ft)									
	0	2	4	6	8	10	12	14	16	
GL 14										
12						1.08				
10						1.03	1.14			
8						1.14	1.16			
6					1.56	1.37	1.22	0.96		
4					2.15	1.57	1.19	0.95		
2					2.14	1.52	1.17	0.94		
0				2.79	2.10	1.50	1.15	0.93		
-2		1.78	2.66	3.45	2.09	1.48	1.15			
-4		2.51	4.01	3.48	2.10	1.49	1.16			
-6			5.72	3.28	2.13	1.52				
-8				1.94						
-10										

LIFTING CAPACITY OVER-FRONT BLADE UP

Unit=1000 lbs

LIFT POINT HEIGHT (ft)	LIFT POINT RADIUS (ft)									
	0	2	4	6	8	10	12	14	16	
GL 14										
12						1.08				
10						1.03	1.14			
8						1.14	1.16			
6					1.56	1.37	1.27	1.04		
4					2.15	1.66	1.29	1.03		
2					2.31	1.65	1.27	1.02		
0				2.79	2.27	1.62	1.25	1.01		
-2		1.78	2.66	3.73	2.26	1.61	1.25			
-4		2.51	4.01	3.76	2.27	1.62	1.26			
-6			5.72	3.28	2.30	1.65				
-8				1.94						
-10										

LIFTING CAPACITY OVER-SIDE

Unit=1000 lbs

LIFT POINT HEIGHT (ft)	LIFT POINT RADIUS (ft)									
	0	2	4	6	8	10	12	14	16	
GL 14										
12						1.08				
10						1.03	1.14			
8						1.14	1.14			
6					1.56	1.37	1.12	0.89		
4					1.96	1.42	1.09	0.87		
2					1.88	1.38	1.07	0.86		
0				2.79	1.85	1.35	1.05	0.86		
-2		1.78	2.66	2.88	1.84	1.34	1.05			
-4		2.51	4.01	2.91	1.85	1.35	1.06			
-6			5.72	2.96	1.88	1.37				
-8				1.94						
-10										

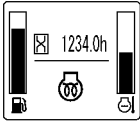
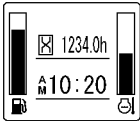
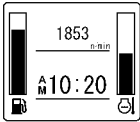
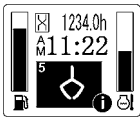
LIFTING CAPACITY OVER-SIDE

Unit=1000 lbs

LIFT POINT HEIGHT (ft)	LIFT POINT RADIUS (ft)									
	0	2	4	6	8	10	12	14	16	
GL 14										
12						1.08				
10						1.03	1.15			
8						1.14	1.16			
6					1.56	1.37	1.20	0.96		
4					2.10	1.53	1.18	0.95		
2					2.03	1.48	1.16	0.93		
0				2.79	1.99	1.46	1.14	0.93		
-2		1.78	2.66	3.11	1.98	1.45	1.13			
-4		2.51	4.01	3.14	1.99	1.45	1.14			
-6			5.72	3.18	2.03	1.48				
-8				1.94						
-10										

LIST OF SCREENS

LIST OF NORMAL SCREENS

No.	Message	Problem or failure (What happened)	Machine behavior (Provisional measure)	Correction
1	Glow screen  1BAABBLAP248B	This screen indicates that the glow lamp is on.	Wait until the glow mark disappears. Then get the engine started.	-
2	Default screen (normal)  1BAABBLAP249B	This screen shows the normal status. (Hour meter)	-	-
3	Default screen (normal) Tachometer (numeric)  1BAABBLAP251B	This screen shows the normal status. (Numerical display of tachometer readings)	-	-
4	AUX port enable switch activated  1BAAABYAP030B	AUX port enable screen	-	-

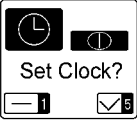



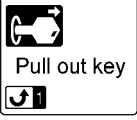
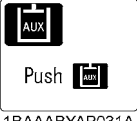
NAVIGATION LIST OF SCREENS








If an error occurs with the machine, one of the following messages appears in the LCD.







In case of trouble, immediately contact your local dealer for inspection and repair.


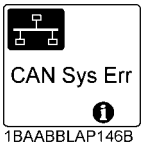





While the (i) (information mark) appears onscreen, press the information switch, and detailed information will be displayed.

Notify your local dealer of this and other information.

No.	Message	Problem or failure (What happened)	Machine behavior (Provisional measure)	Correction
1	Clock setting request  1BAABBLAP255B	The battery is disconnected, thereby requiring to set the clock.	Press Switch 5 to set the clock.	-
2	Tilt up the lock lever.  1BAABBLAP142B	This message indicates a procedural step.	Tilt up the pilot control lock lever. This message disappears by tilting up the pilot control lock lever.	-
3	Tilt down the lock lever.  1BAABBLAP257B	This message indicates a procedural step.	Tilt down the pilot control lock lever. This message disappears by tilting down the pilot control lock lever.	-
4	Start the engine.  1BAABBLAP258B	This message indicates a procedural step.	Start the engine. This message then disappears.	-
5	Failure to pull out the key  1BAABBLAP259B	This message appears if the key switch is set at "STOP" and left at this position for a while.	Draw out the key.	-
6	Press Switch 3.  1BAAABYAP031A	This message appears if the AUX function is tried without pressing the AUX port enable switch.	Press the AUX port enable switch.	-

No.	Message	Problem or failure (What happened)	Machine behavior (Provisional measure)	Correction
7	<p>Not equipped with overload warning function</p>  <p>Not Overload Spec.</p> <p>1BAABYAP036A</p>	<p>This message appears if the overload warning switch is pressed on machines not equipped with overload warning system.</p>	-	-
8	<p>Out of fuel</p>  <p>Feed fuel</p> <p>1BAABBLAP215B</p>	<p>Fuel is running out.</p>	-	Add fuel.
9	<p>Fuel sensor error</p>  <p>Fuel Sensor Err</p> <p>1BAABBLAP139B</p>	<p>The fuel sensor system is in trouble.</p>	<p>The fuel level indicator does not appear on the meter. Press the display selector switch, and the normal display is switched back. The machine's other functions are still operative.</p>	<p>Immediately contact your local dealer.</p>
10	<p>Charging system error</p>  <p>Charging Sys Err</p> <p>1BAABBLAP136B</p>	<p>Charging system is in trouble. The battery is not charging.</p>	<p>The machine works until the battery goes dead.</p>	<p>Immediately contact your local dealer.</p>
11	<p>Engine oil pressure error</p>  <p>Engine Oil Press Err Stop Engine</p> <p>1BAABBLAP137B</p>	<p>The engine lubricating system oil pressure is too low. Stop the engine.</p>	<p>The engine may get burnt out. Immediately stop the engine.</p>	<p>Immediately contact your local dealer.</p>
12	<p>Overvoltage</p>  <p>Over voltage Sys Err</p> <p>1BAABBLAP138B</p>	<p>This message appears if a jumper cable is connected to a 24V battery or improper device to get the engine started or if the alternator is in trouble.</p>	<p>Immediately interrupt the engine if with a 24V battery. When the engine gets restarted and is running with no message appearing, it means there is no problem.</p>	<p>If this message still appears, immediately ask for repair.</p>
13	<p>Overheat advance warning Water temperature rising</p>  <p>Water temp is Rising</p> <p>1BAABBLAP140B</p>	<p>Water temperature is rising somewhat higher than specified.</p>	<p>Operate with the load a little lessened. Check the radiator and other components for clog. Immediately clean them up.</p>	

No.	Message	Problem or failure (What happened)	Machine behavior (Provisional measure)	Correction
14	Cool-down during overheat idling  1BAABBLAP141B	The engine automatically reduces rpm's to avoid an overheat.	Leave the engine idling until this warning disappears. Do not stop the engine because the coolant temperature will increase sharply and may boil and gush out. Be sure to cool down the engine without stopping it.	Refill the radiator with coolant by the amount that overflowed amount. Unclog the radiator and other components before use again. Check also the hydraulic system for oil leak and other troubles. If an oil leak is found, immediately contact your local dealer for repair.
15	Water temperature sensor error  1BAABBLAP237B	Water temperature sensor system is in trouble.	The meter does not show water temperature. Press the display selector switch, and the normal display is switched back. The machine's other functions are operative, but an overheat and other problems cannot be detected.	Immediately contact your local dealer.
16	Lock lever system error  1BAABBLAP244B	The lock lever system is in trouble.	The engine can run, but the machine fails to move.	Immediately contact your local dealer.
17	Travel 2-speed system (switching)  1BAABBLAP147B	The 2-speed switching system is in trouble.	The machine still runs at low speed without switching to high speed. The machine's other functions are still operative.	Immediately contact your local dealer.
18	AI system error  1BAABBLAP273B	The auto idle system is in trouble. The accelerator fails too.	The accelerator fails, but the machine's other functions are still operative. Move the machine to a place suited for repair.	Immediately contact your local dealer.
19	5V short-circuit  1BAABBLAP152B	The sensor's 5V power supply is short-circuited.	The majority of systems fail. * The engine may get started and the machine may move. But do not try any jobs. (Just move the machine to a safe place.)	Immediately contact your local dealer.

No.	Message	Problem or failure (What happened)	Machine behavior (Provisional measure)	Correction
20	<p>12V short-circuit</p>  <p>1BAABBLAP239B</p>	The sensor's or switch's 12V line is short-circuited.	The majority of systems fail. * The engine may start and the machine may move. But do not try any jobs. (Just move the machine to a safe place.)	Immediately contact your local dealer.
21	<p>CAN system error</p>  <p>1BAABBLAP146B</p>	The communication (CAN) system is in trouble. Some meter readings may be erroneous or some switches may malfunction.	The engine may get started and the machine may move. But do not try any jobs. (Just move the machine to a safe place.)	Immediately contact your local dealer.
22	<p>General switching system error</p>  <p>1BAAABYAP035B</p>	The general switching system is in trouble. (This message appears only when the general switching function is preset effective.)	The engine can get restarted and the machine can move, but the general switching system fails. When the other systems than the general switching system function, the job can be continued.	Immediately contact your local dealer.
23	<p>AUX1 port system error</p>  <p>1BAAABYAP035A</p>	The AUX1 port system is in trouble.	The engine can get restarted and the machine can move, but the AUX1 port system fails. When the other systems than the AUX1 port system function, the job can be continued.	Immediately contact your local dealer.
24	<p>Thumb system error</p>  <p>1BAAABYAP078A</p>	The Thumb system is in trouble.	The engine can get restarted and the machine can move, but the Thumb system fails. When the other systems than the Thumb and AUX port system function, the job can be continued.	Immediately contact your local dealer.
25	<p>Periodic check (advance notice)</p>  <p>1BAABBLAP265B</p>	This message appears 10 hours before the periodic check interval. Press the information switch, and the list of related components can be reviewed.	Get the engine started as usual.	Ask your local dealer for relevant part and replace the existing part with it. After replacement, turn on and off the key 10 times, and this message disappears.
26	<p>Periodic check (warning)</p>  <p>1BAABBLAP266B</p>	The periodic check interval has passed. Press the information switch, and the list of related components can be reviewed.	The engine can still get started, but immediately ask your local dealer for replacement.	Ask your local dealer for relevant part and replace the existing part with it. After replacement, turn on and off the key 10 times, and this message disappears.